

# Mountain Top® Roll

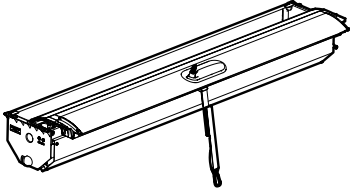

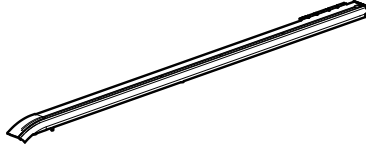
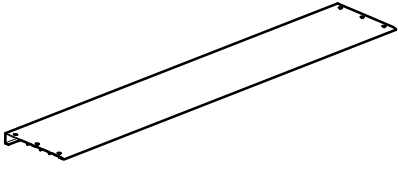
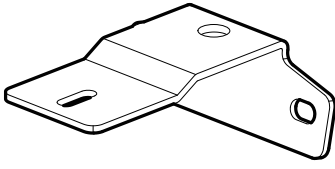
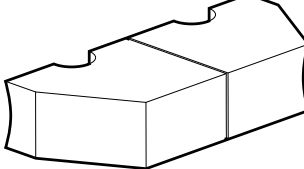
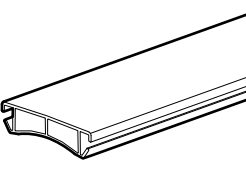
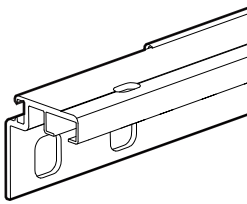
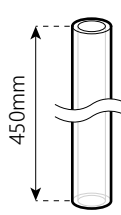
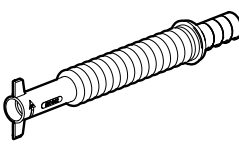
Installation manual



DOWNLOAD PDF

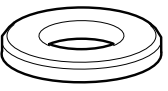
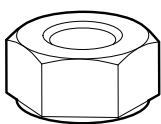
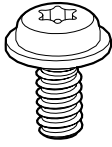
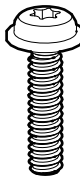
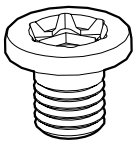


Parts

|  |  |   |  |
|--|--|---|--|
| <p><b>A</b></p>  <p>x 1</p> | <p><b>B</b></p>  <p>x 1</p> | <p><b>C</b></p>  <p>x 1</p>              |  |
| <p><b>D</b></p>  <p>x 1</p> | <p><b>E</b></p>  <p>x 2</p> | <p><b>F</b></p>  <p>x 1</p>              |  |
| <p><b>G</b></p>  <p>x 1</p> | <p><b>H</b></p>  <p>x 1</p> | <p><b>I</b></p>  <p>450mm</p> <p>x 2</p> | <p><b>J</b></p>  <p>x 2</p> |

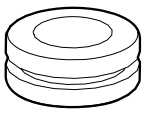
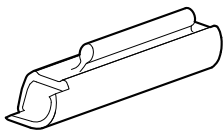
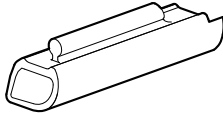
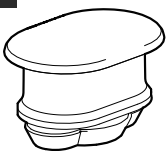
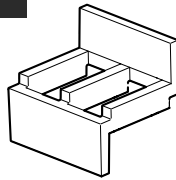


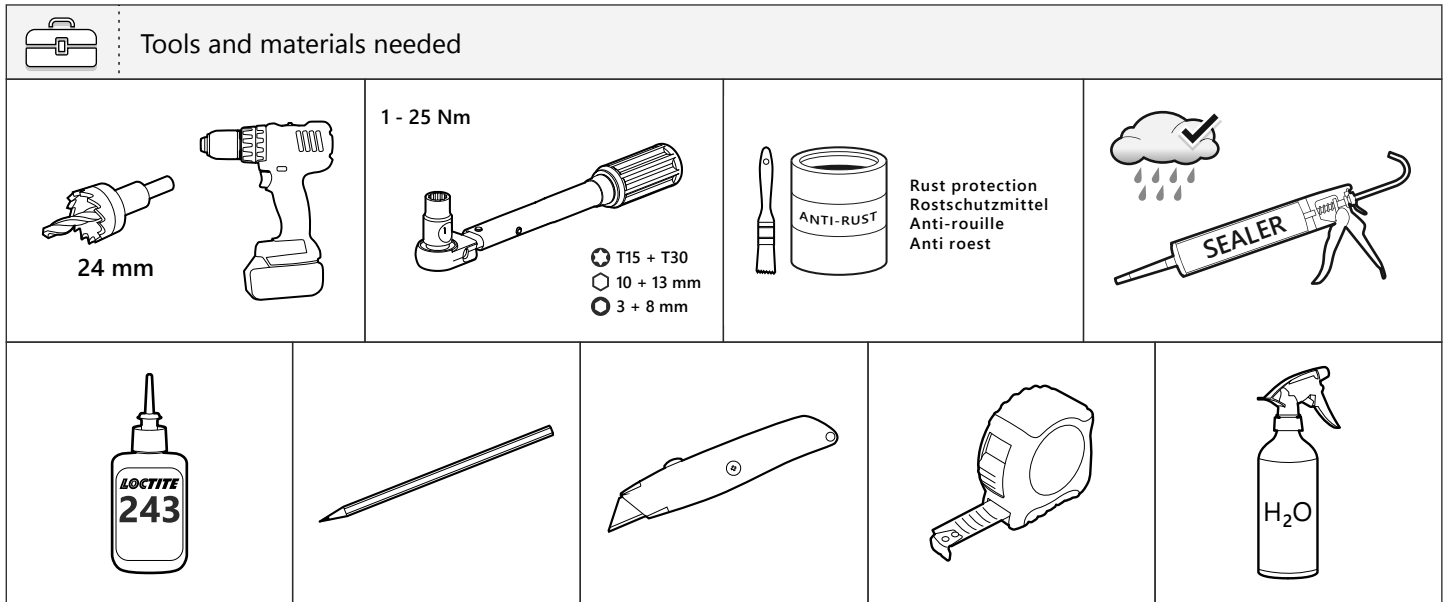
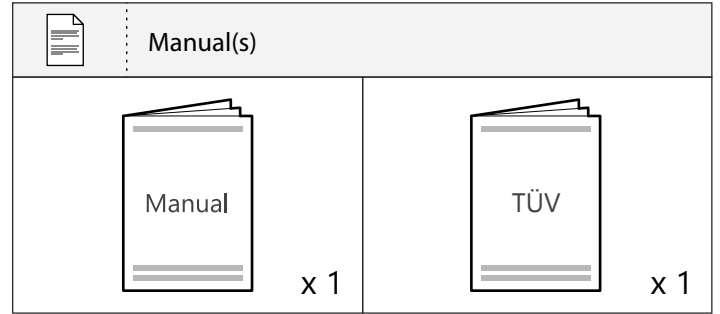
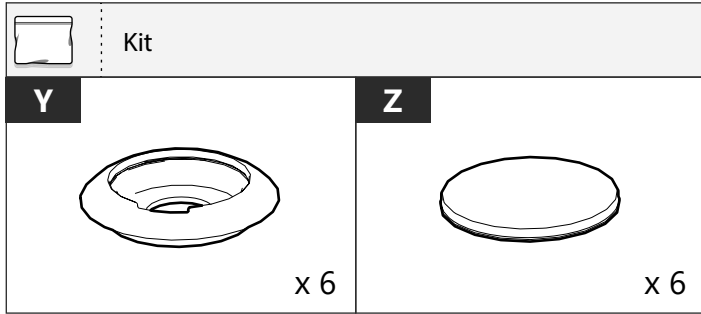
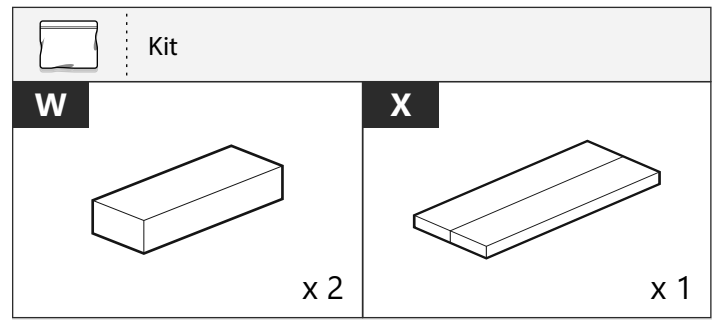
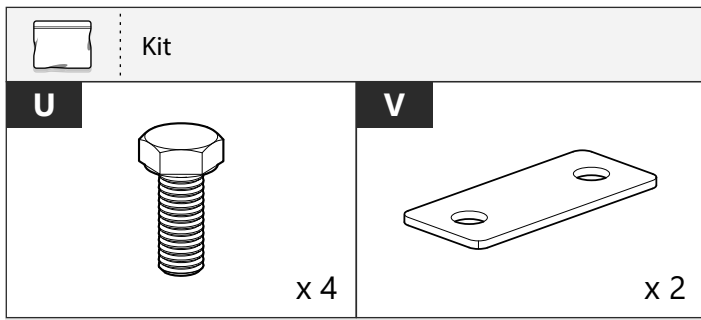
Kit

|  |  |  |  |  |
|--|--|--|--|--|
| <p><b>K</b></p>  <p>x 2</p> | <p><b>L</b></p>  <p>x 2</p> | <p><b>M</b></p>  <p>x 4</p> | <p><b>N</b></p>  <p>x 2</p> | <p><b>O</b></p>  <p>x 6</p> |
|--|--|--|--|--|



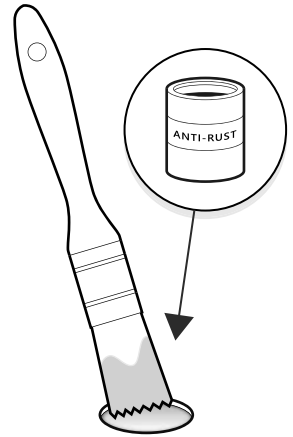
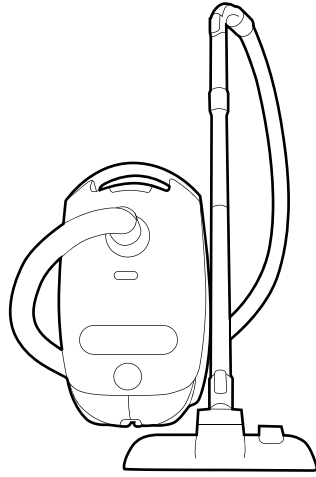
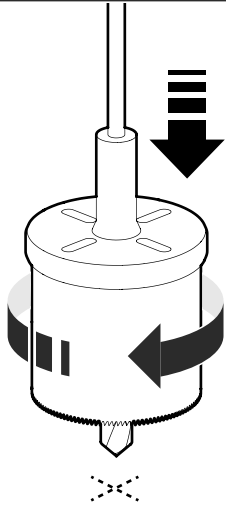
Kit

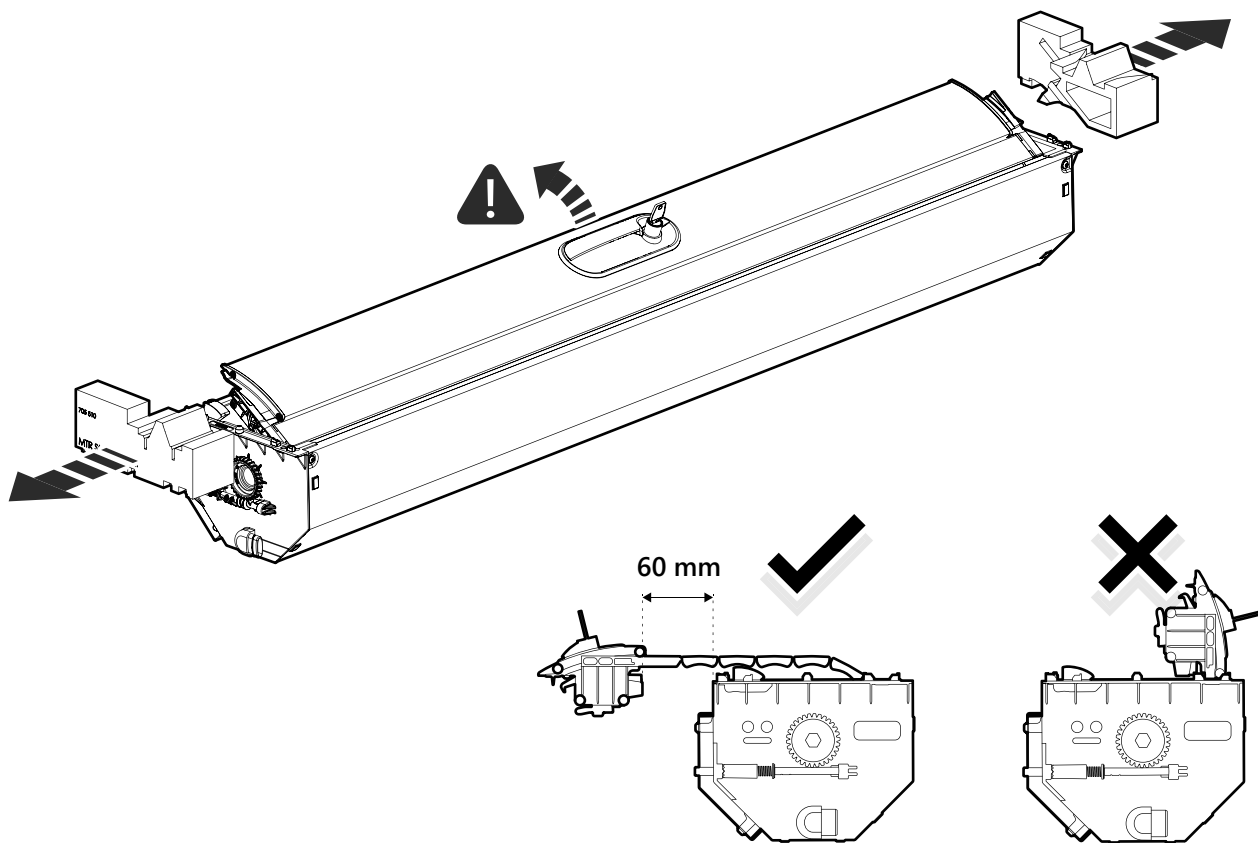
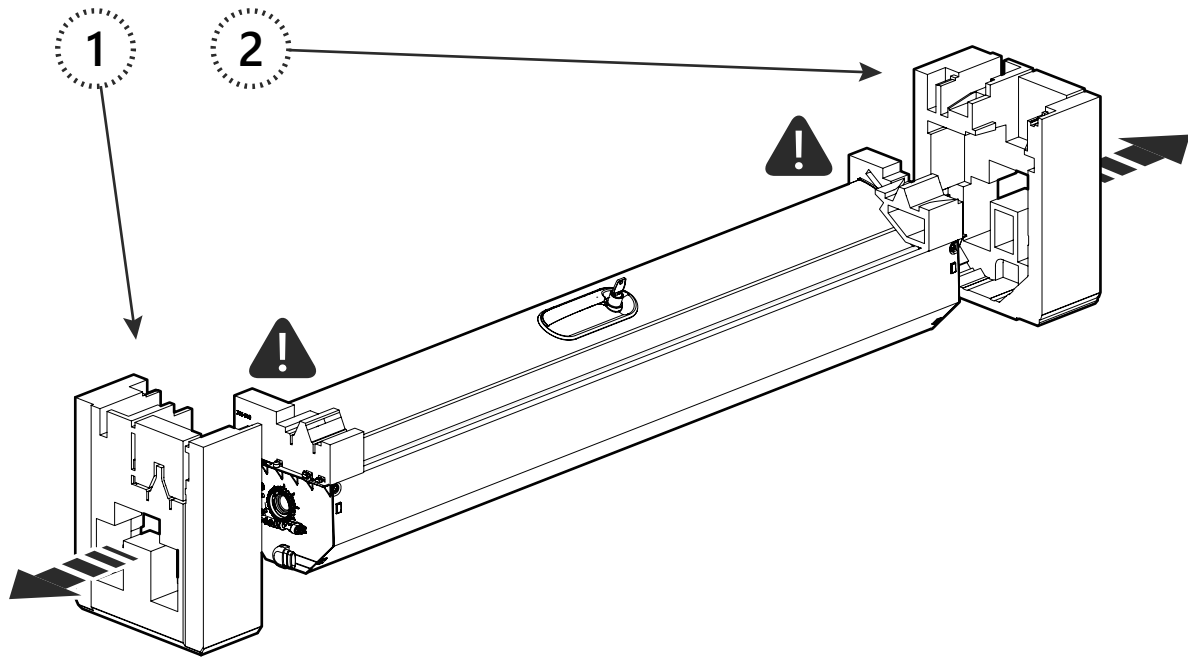
|  |  |  |  |  |
|--|--|--|--|--|
| <p><b>P</b></p>  <p>x 2</p> | <p><b>Q</b></p>  <p>x 1</p> | <p><b>R</b></p>  <p>x 1</p> | <p><b>S</b></p>  <p>x 2</p> | <p><b>T</b></p>  <p>x 2</p> |
|--|--|--|--|--|

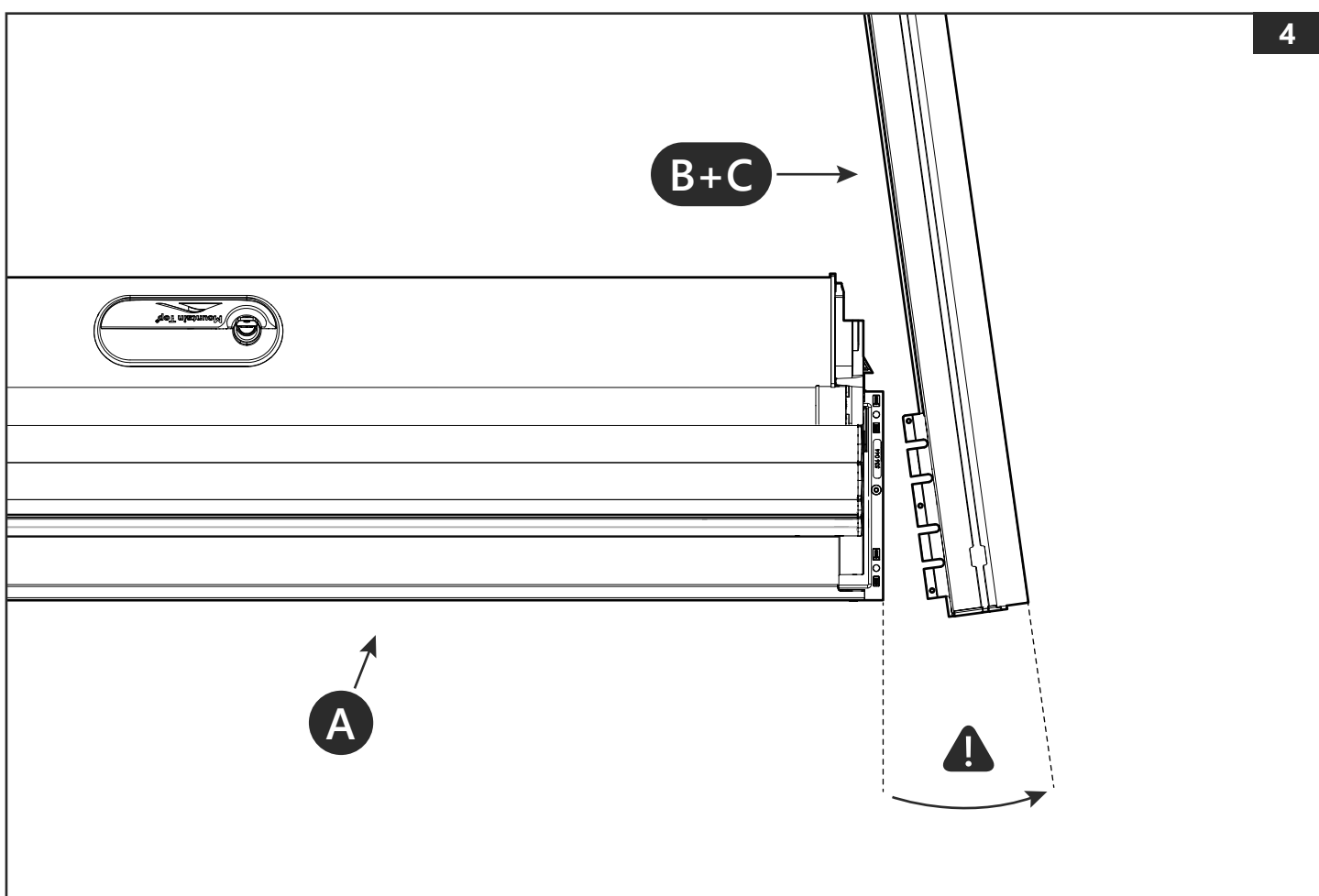
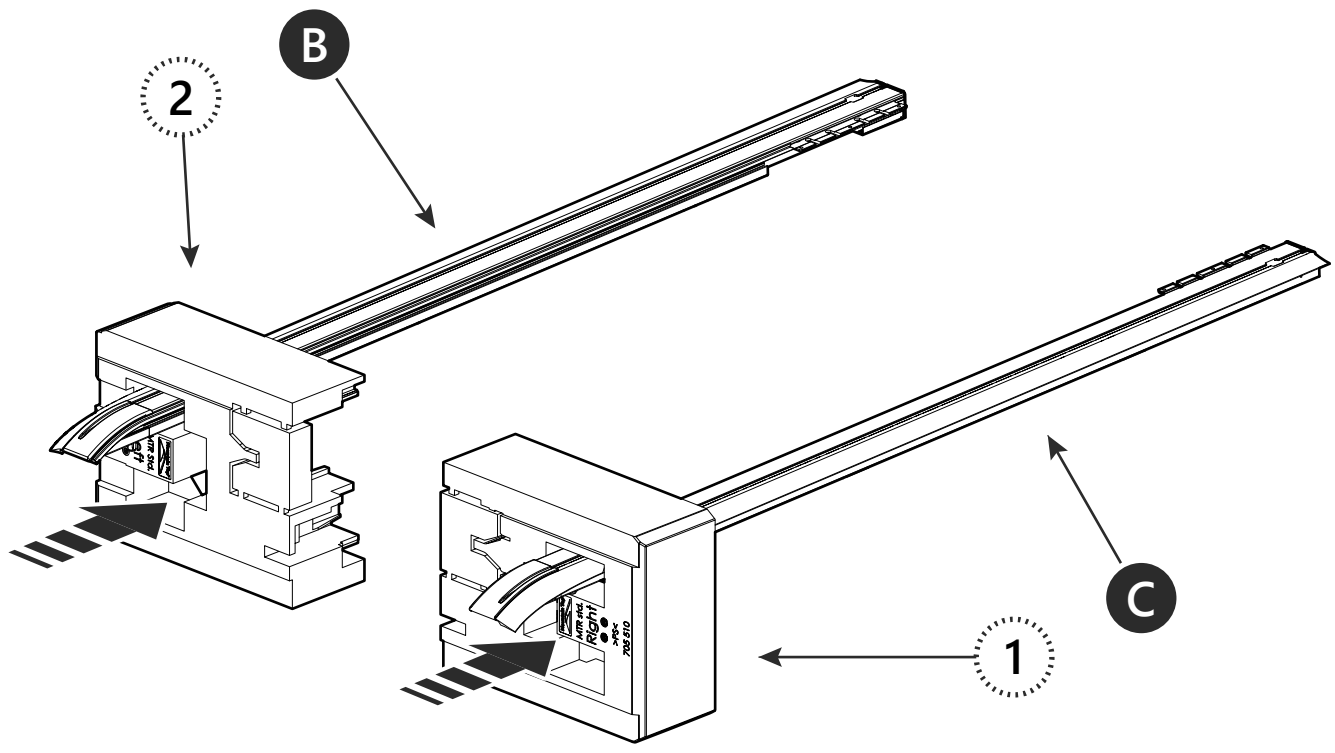


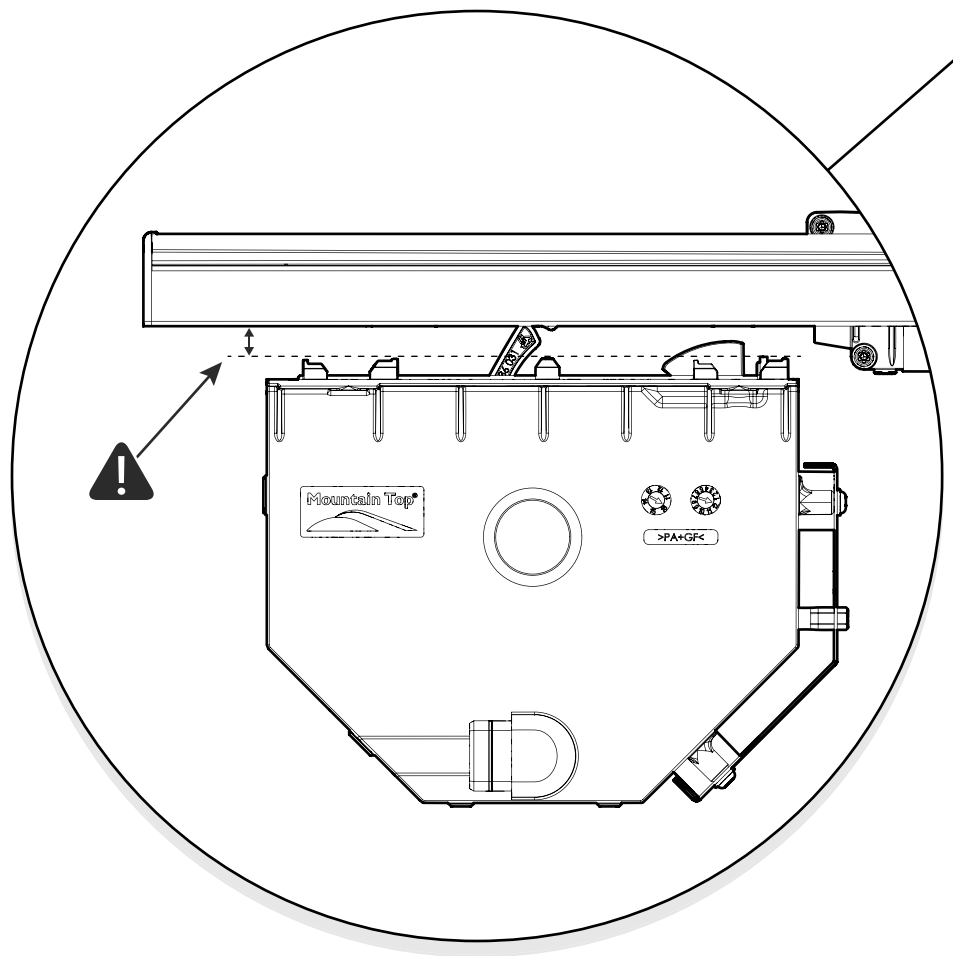
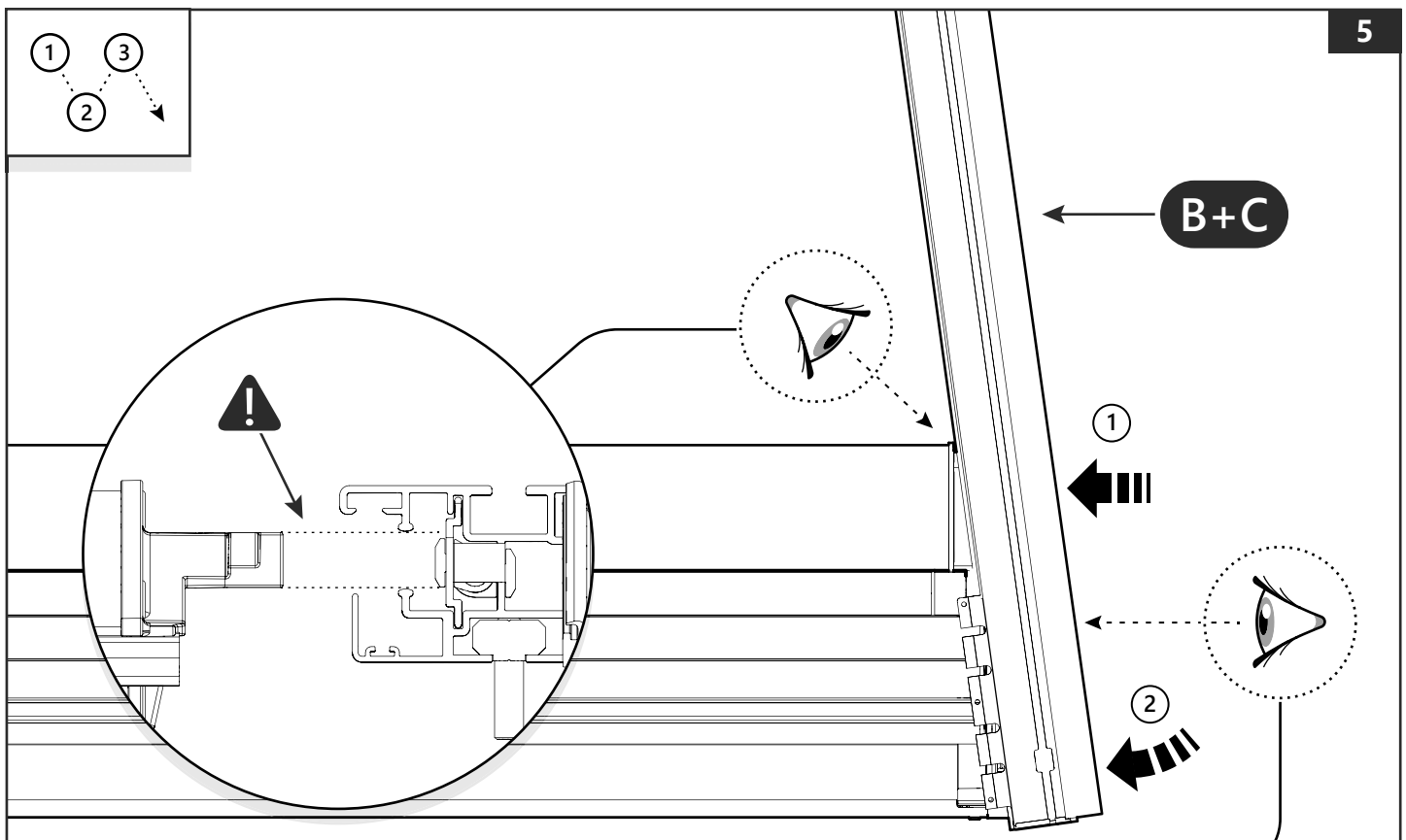
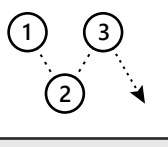
1

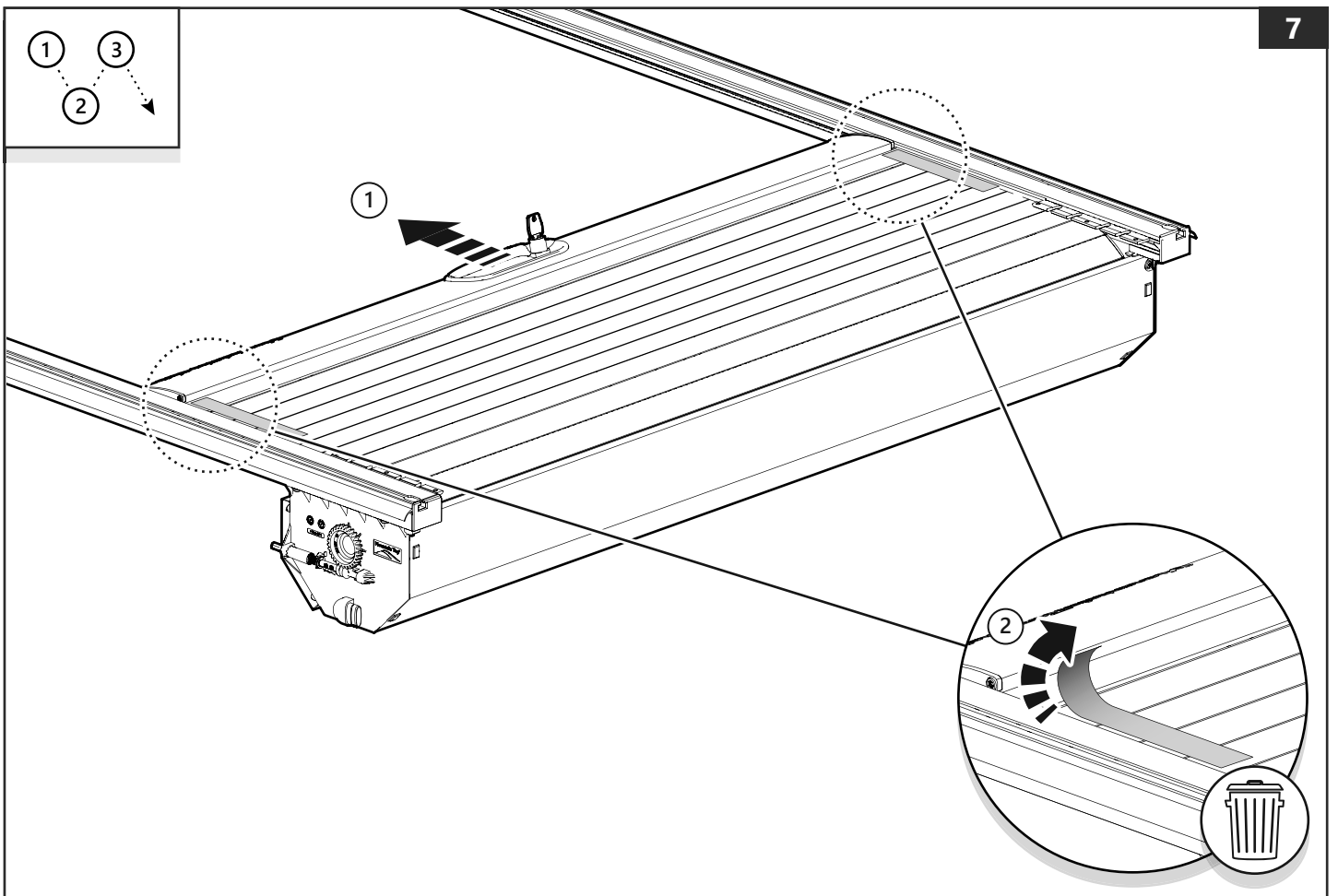
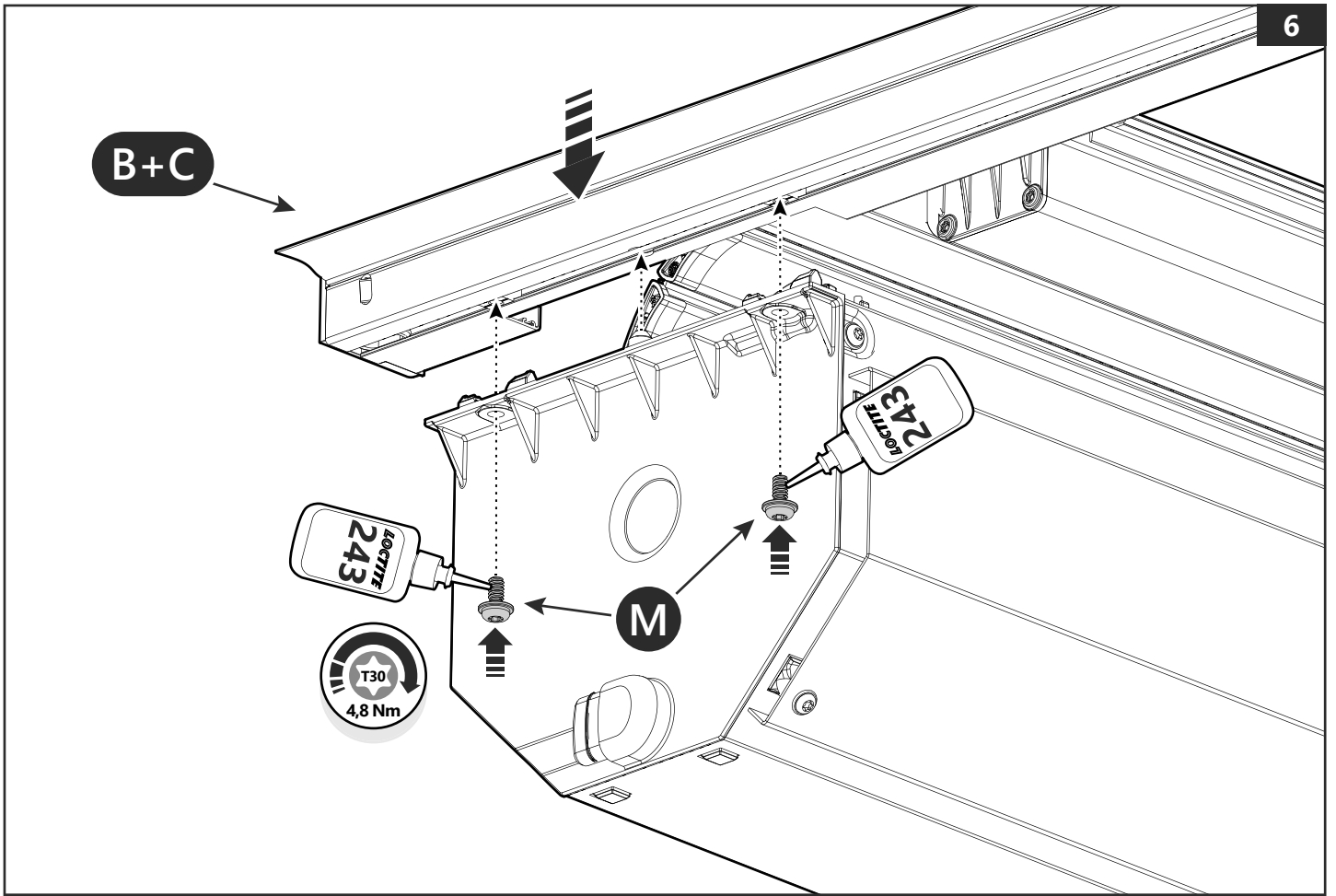
Applying rust protection



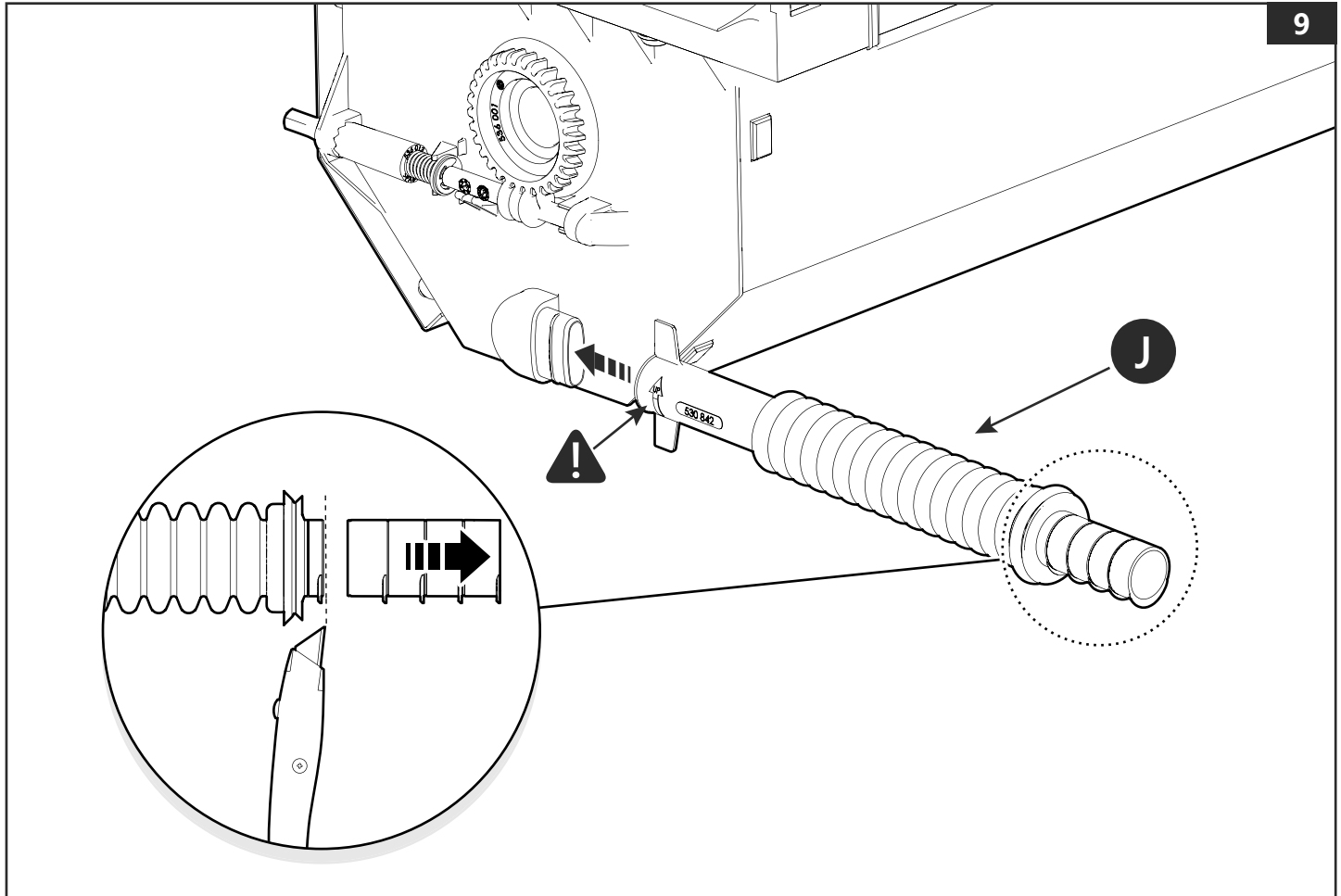
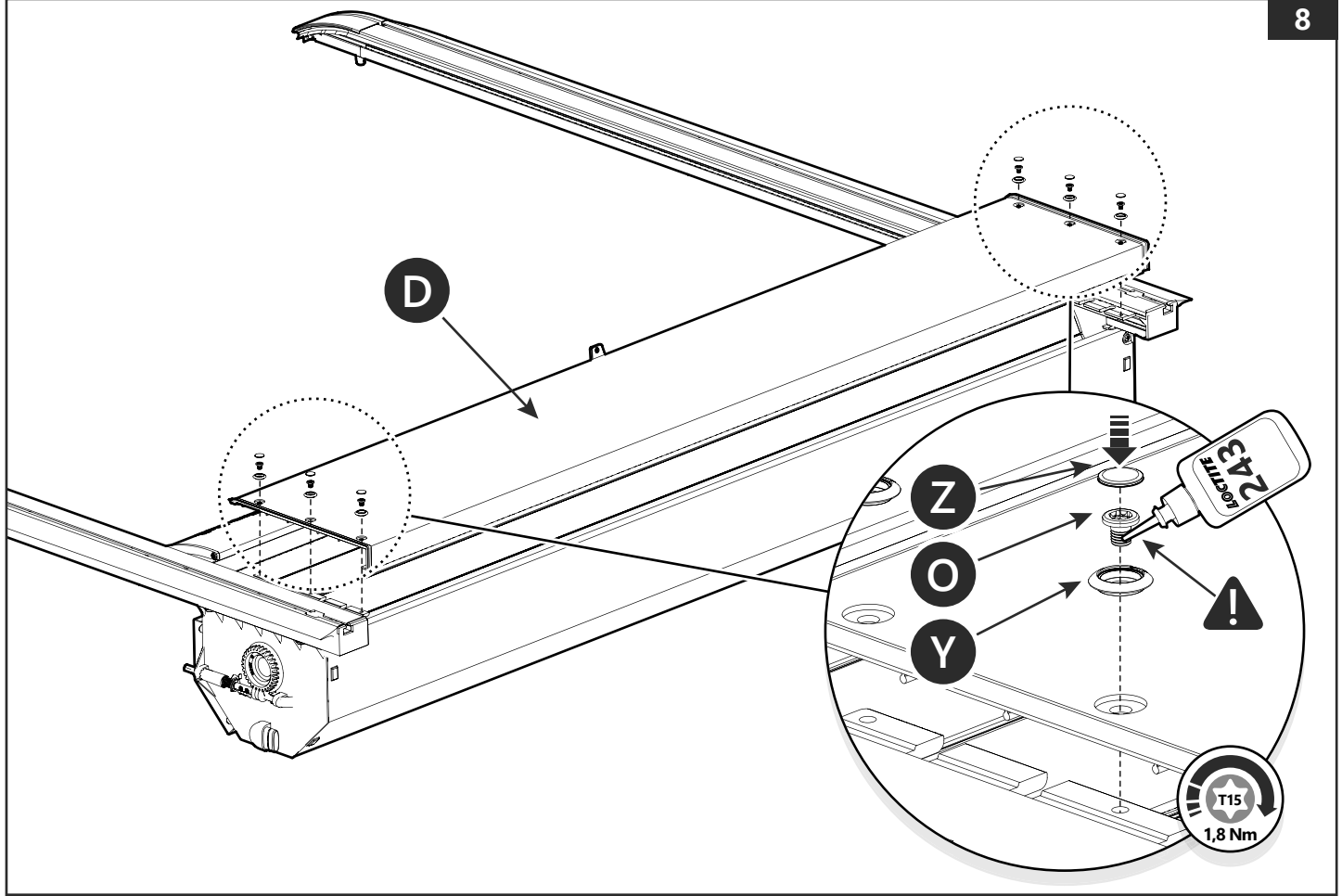


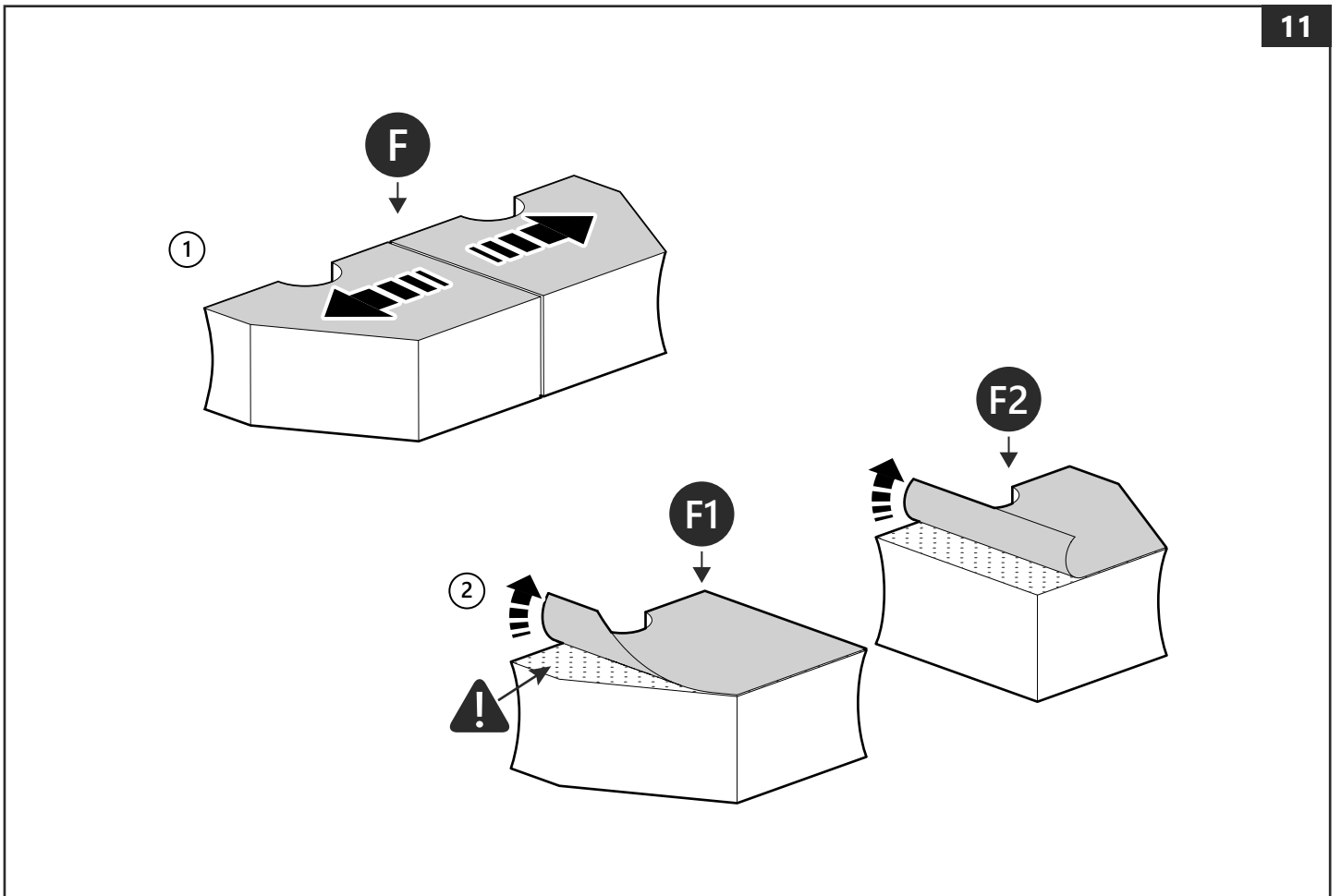
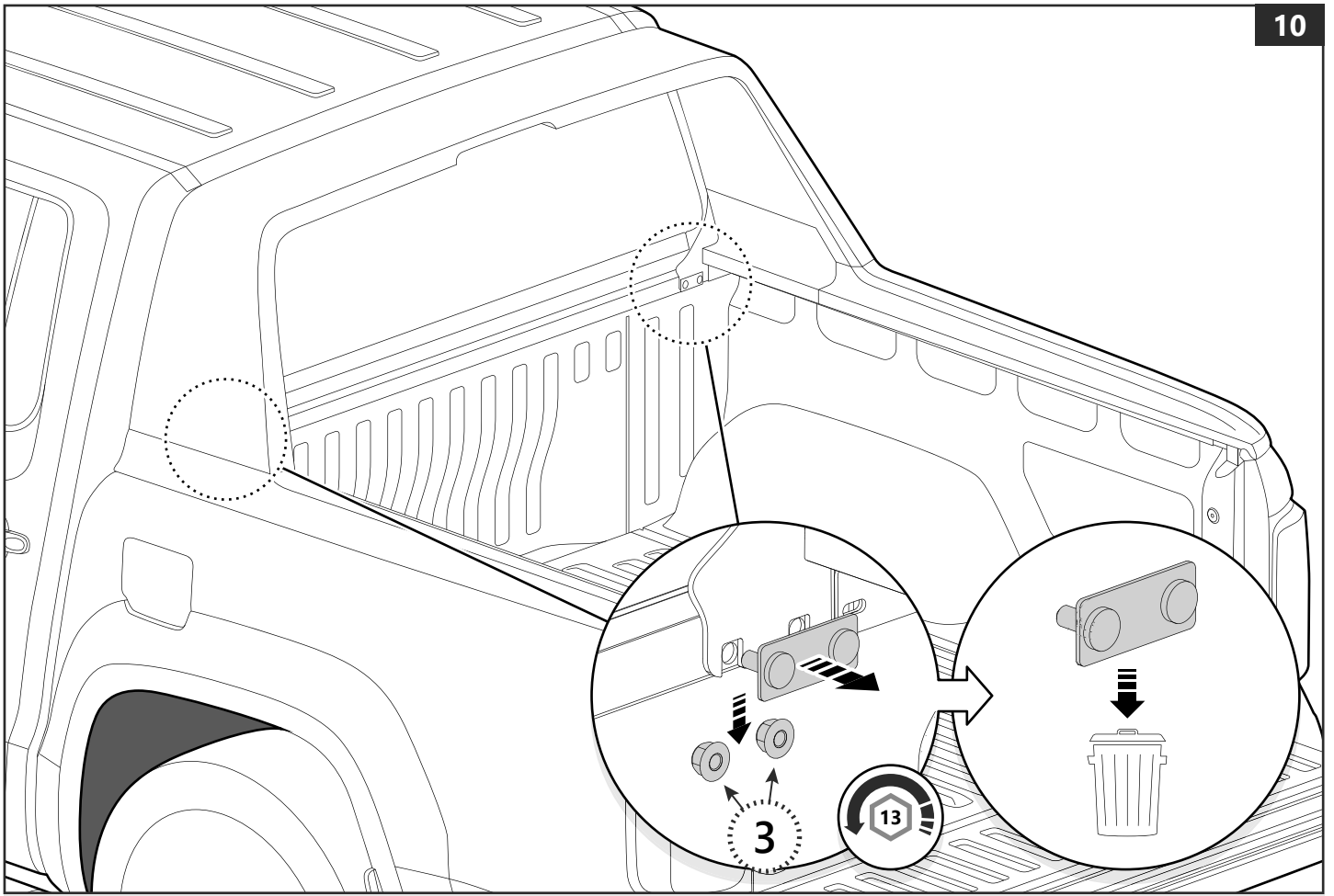


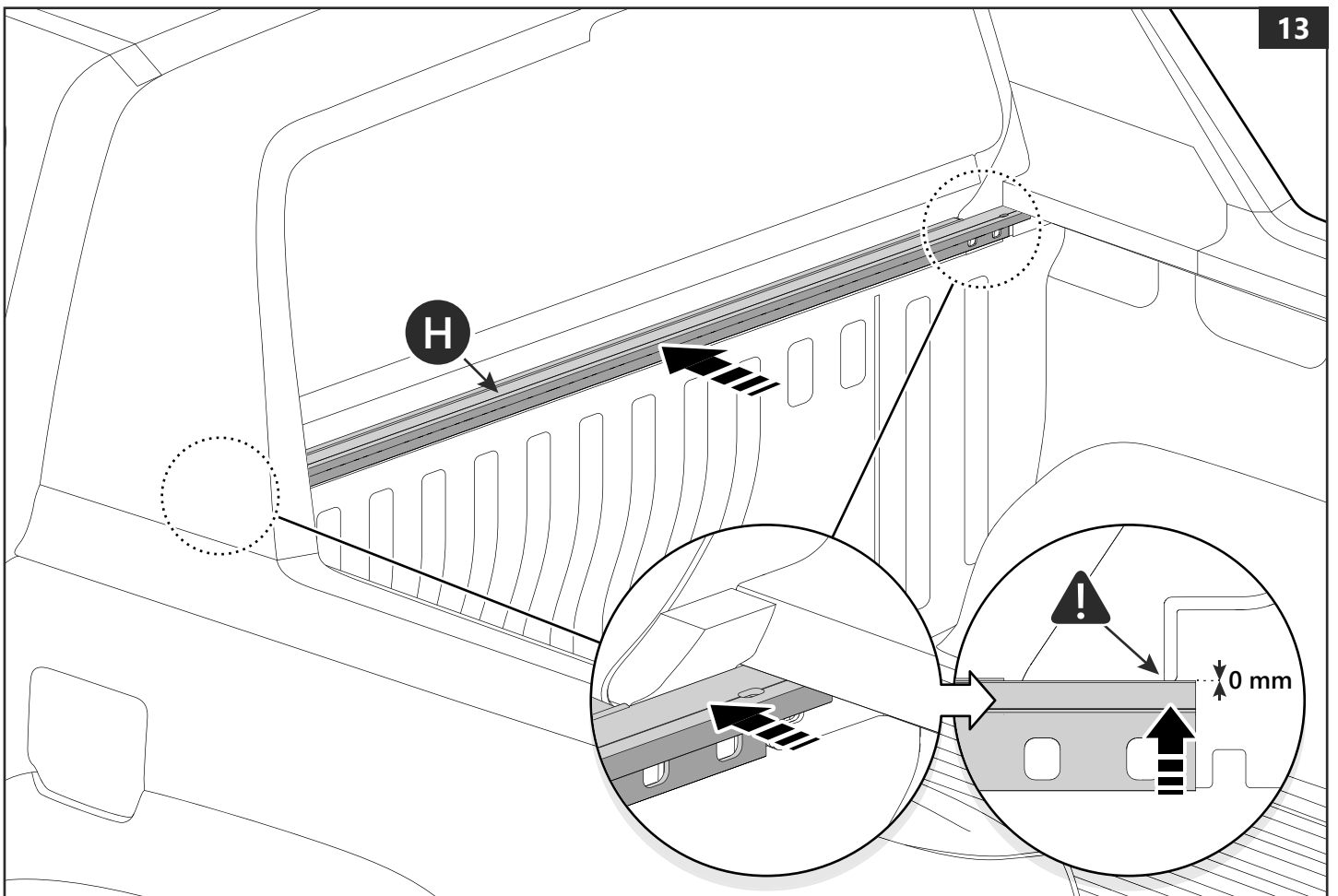
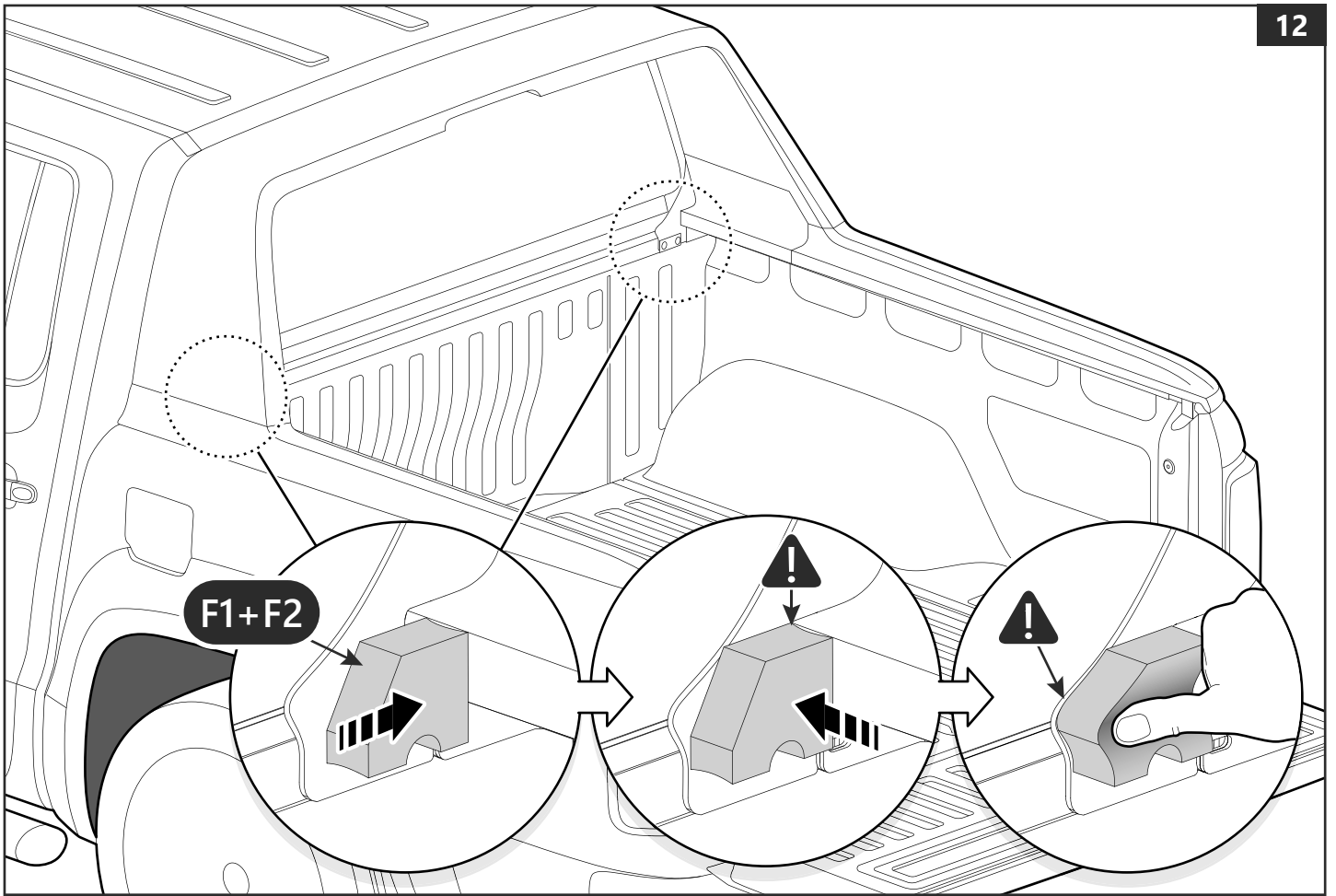


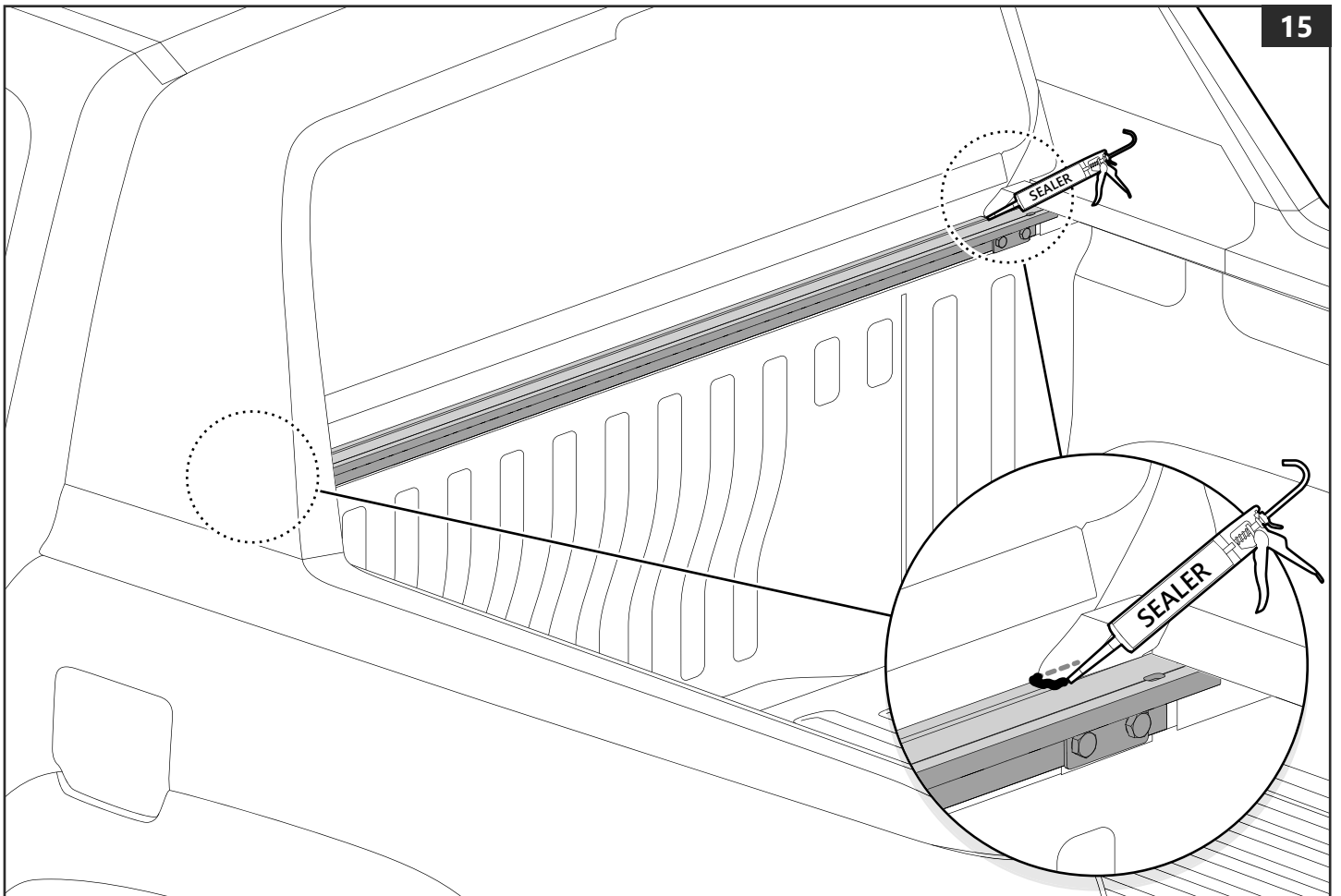
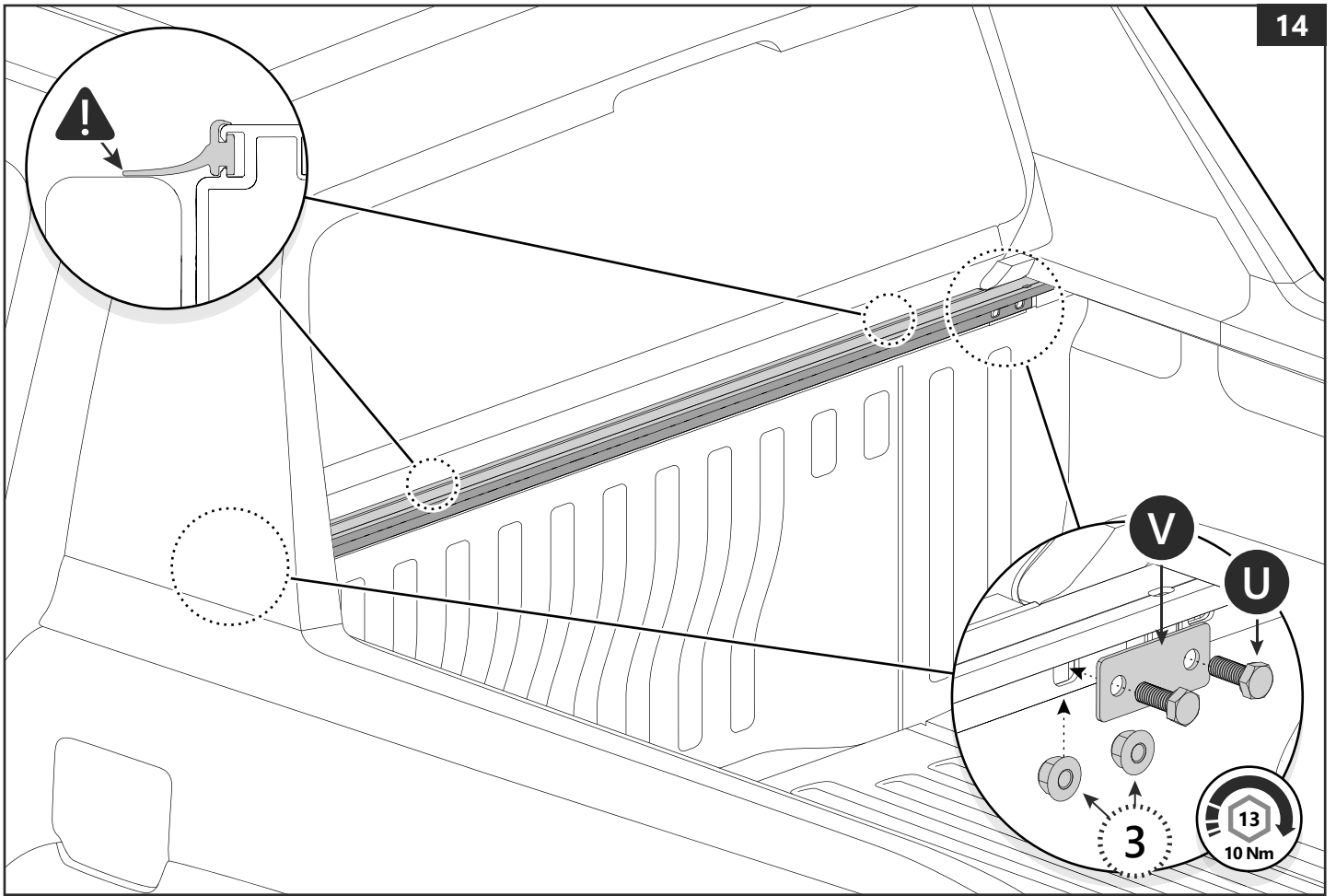


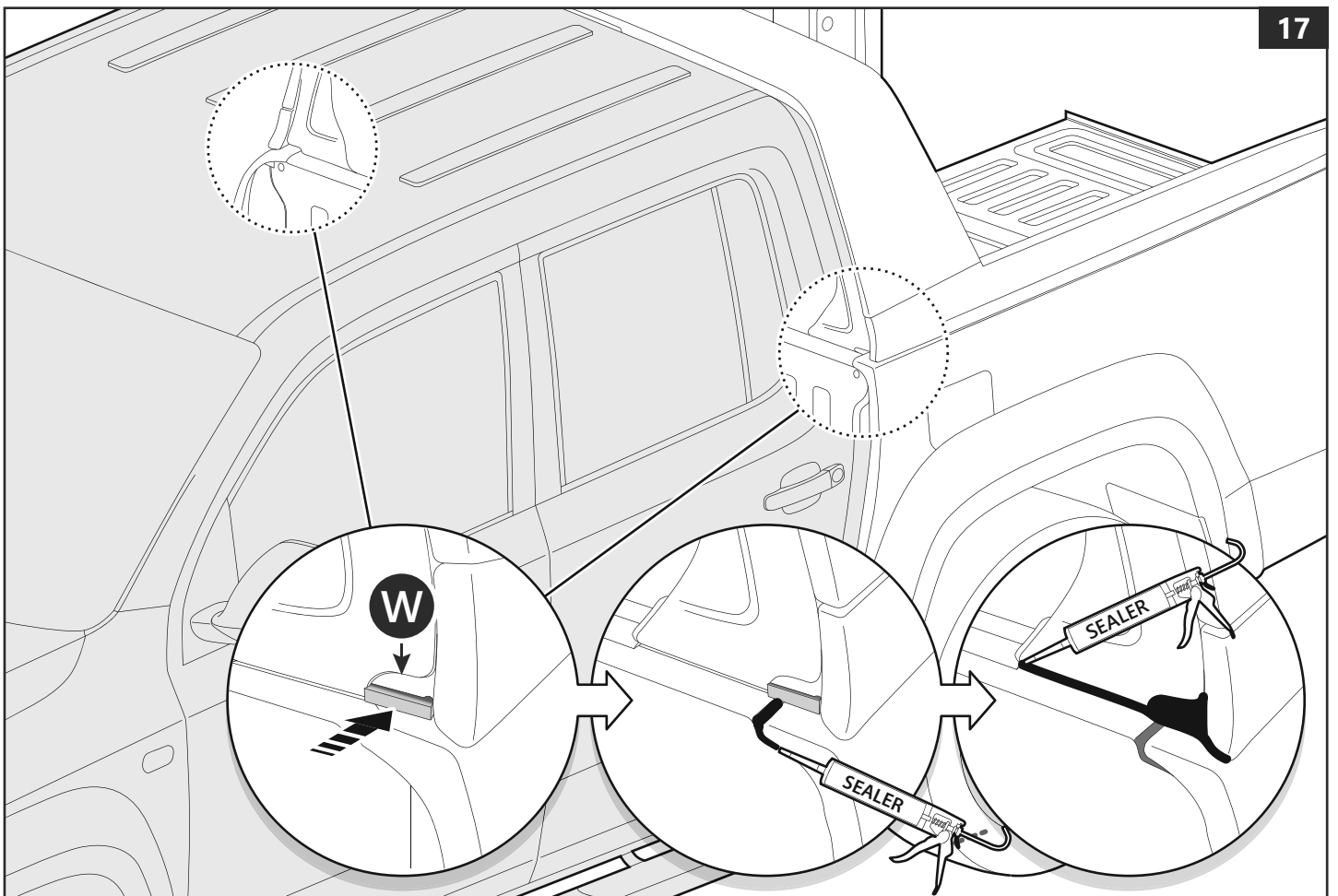
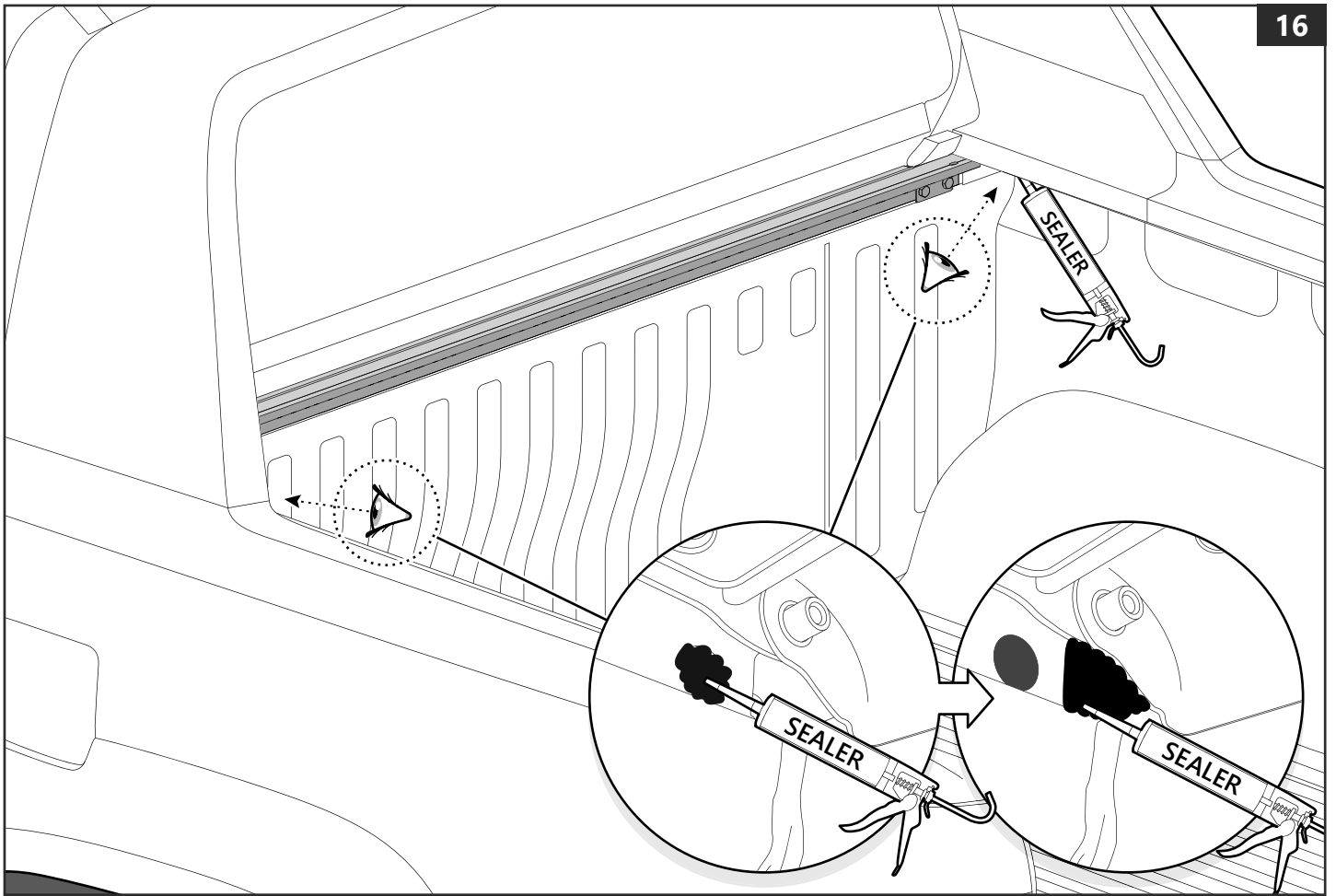


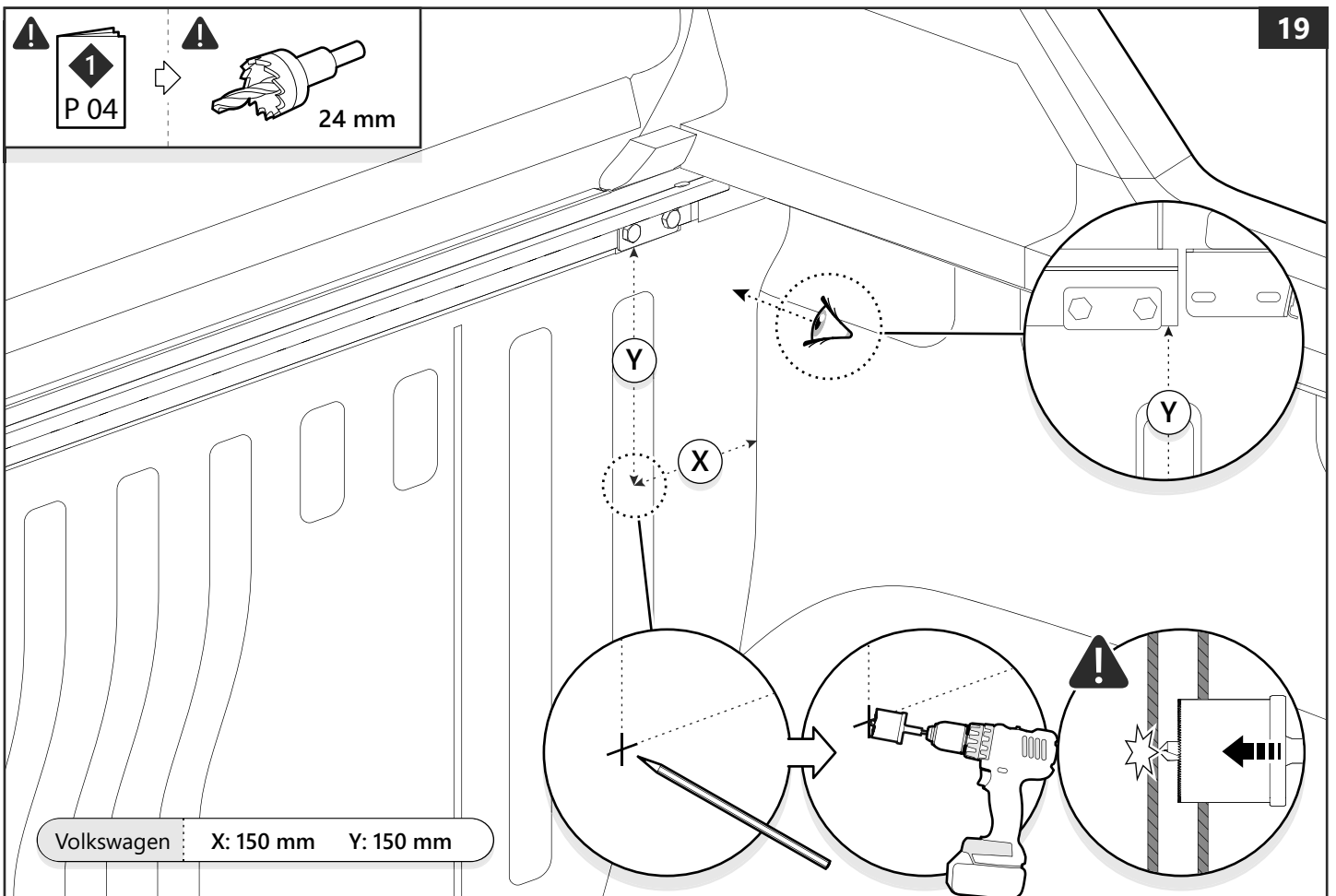
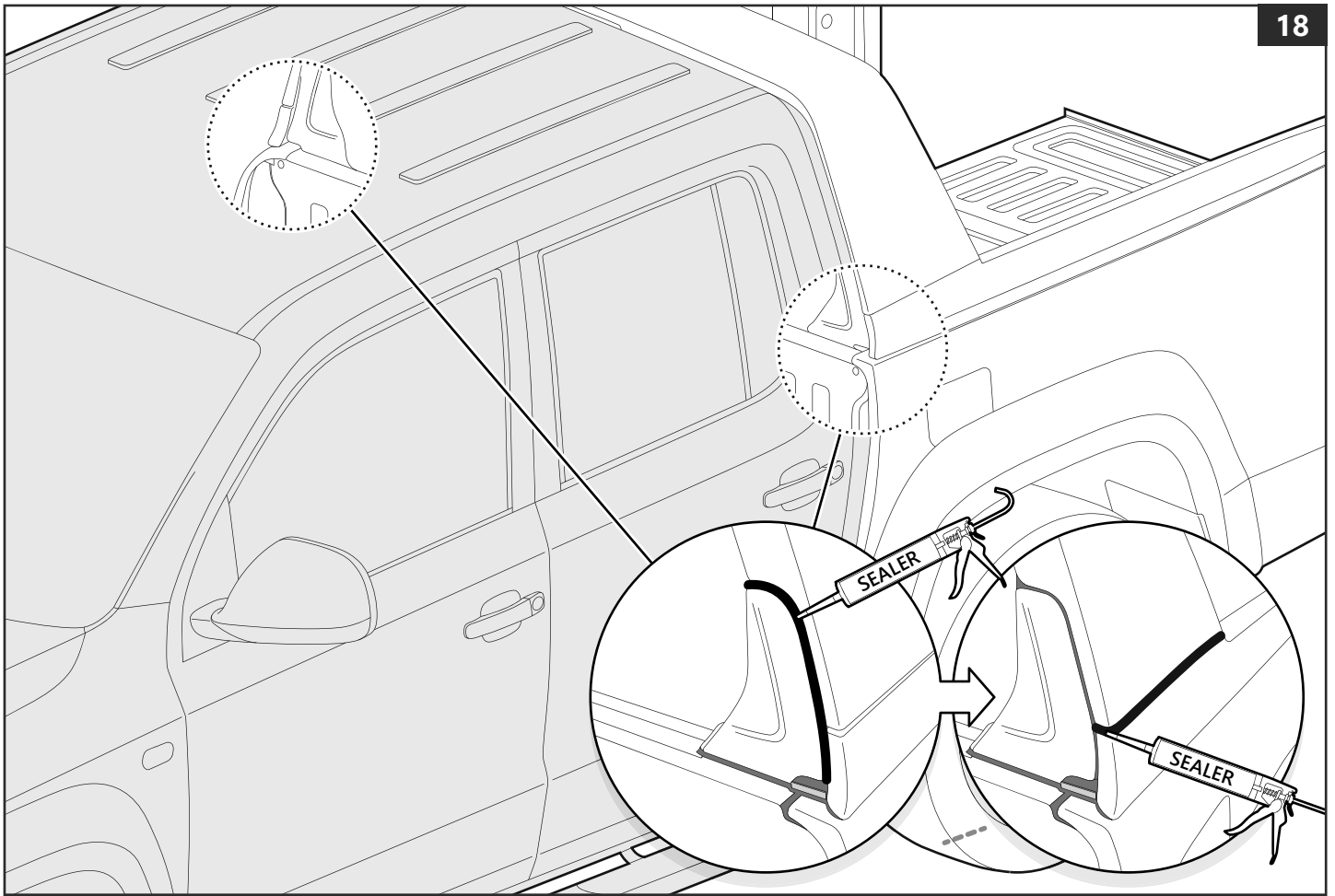


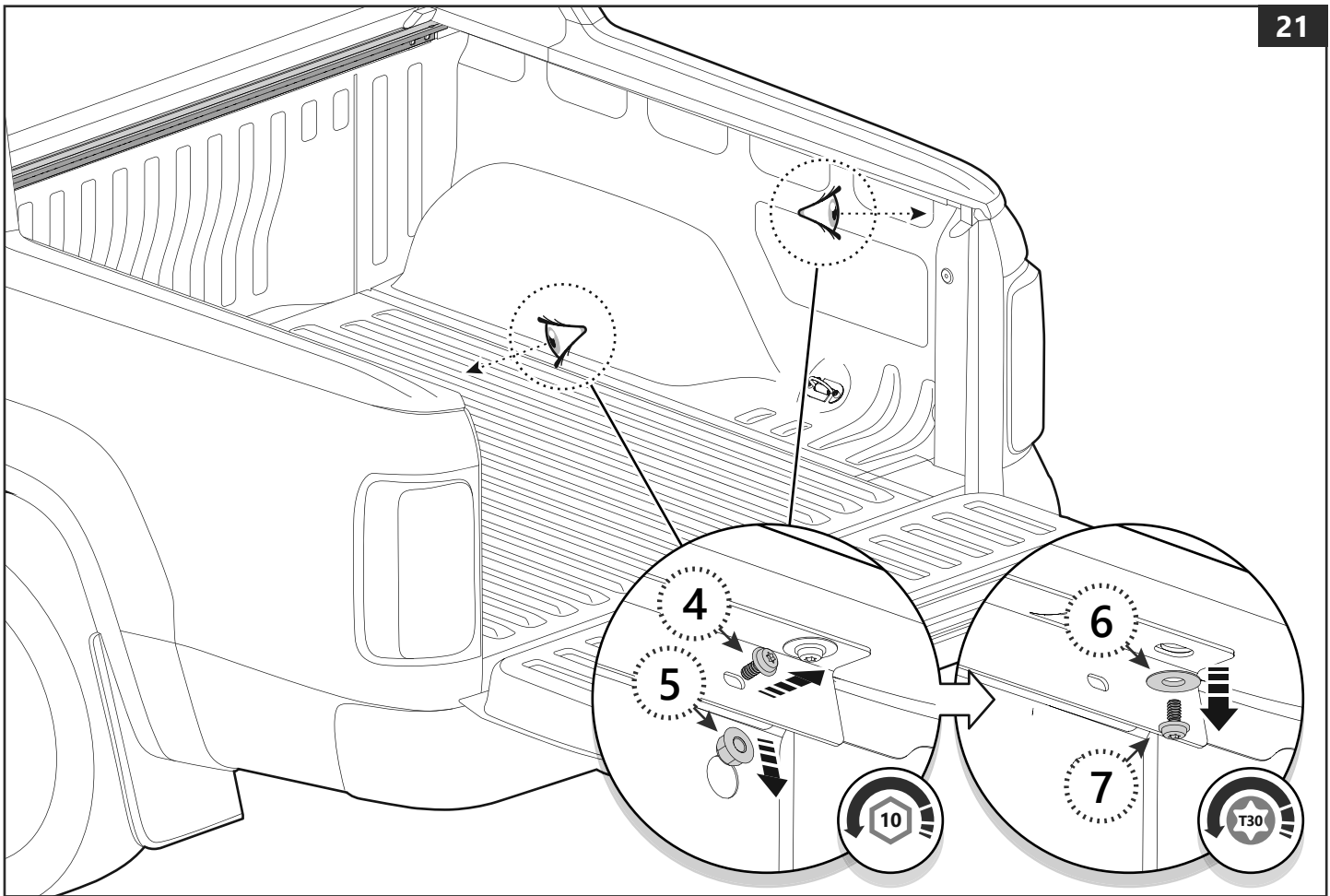
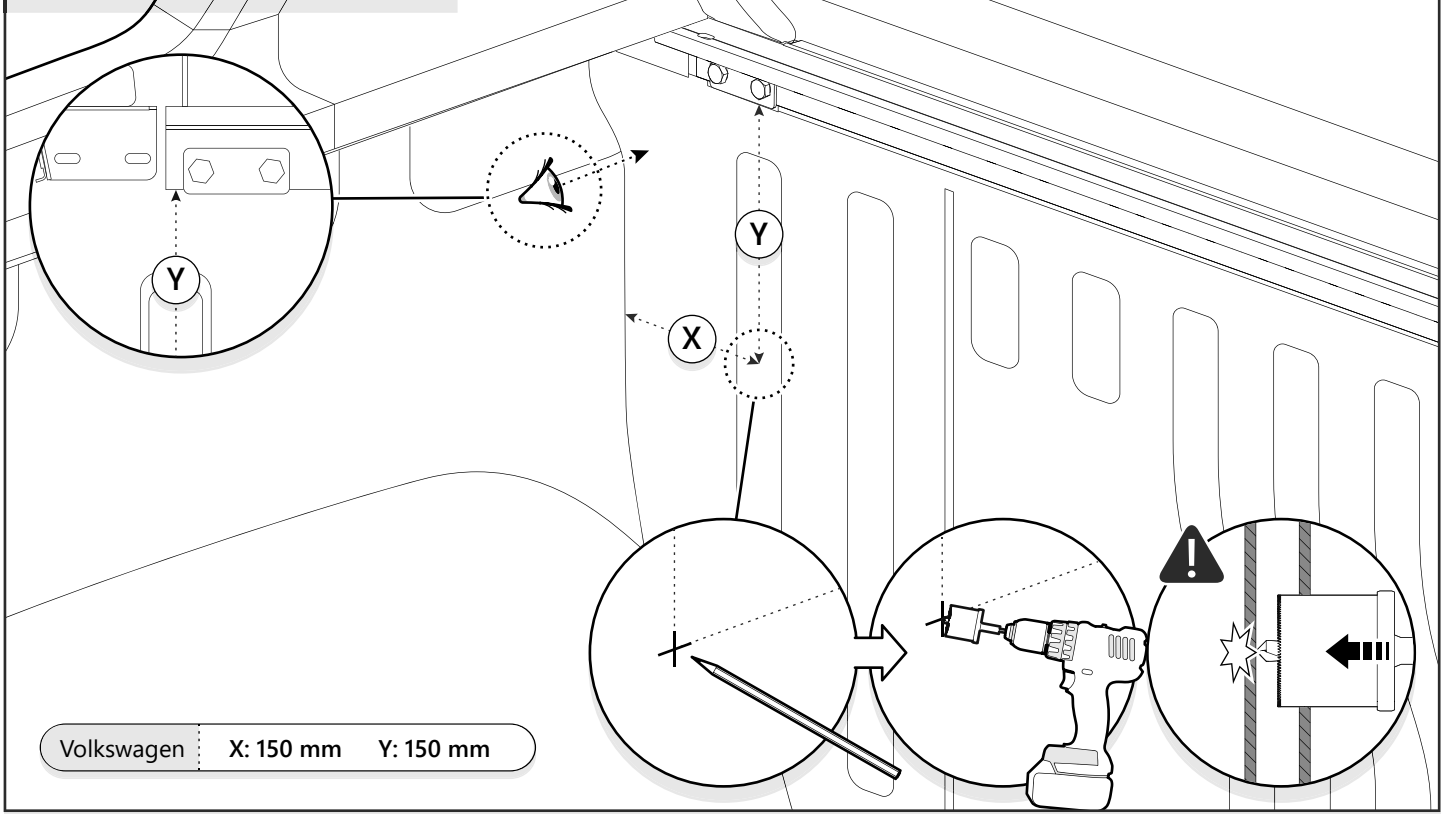
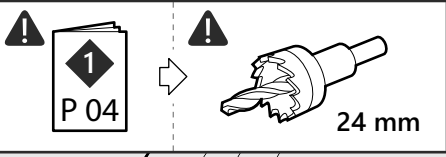


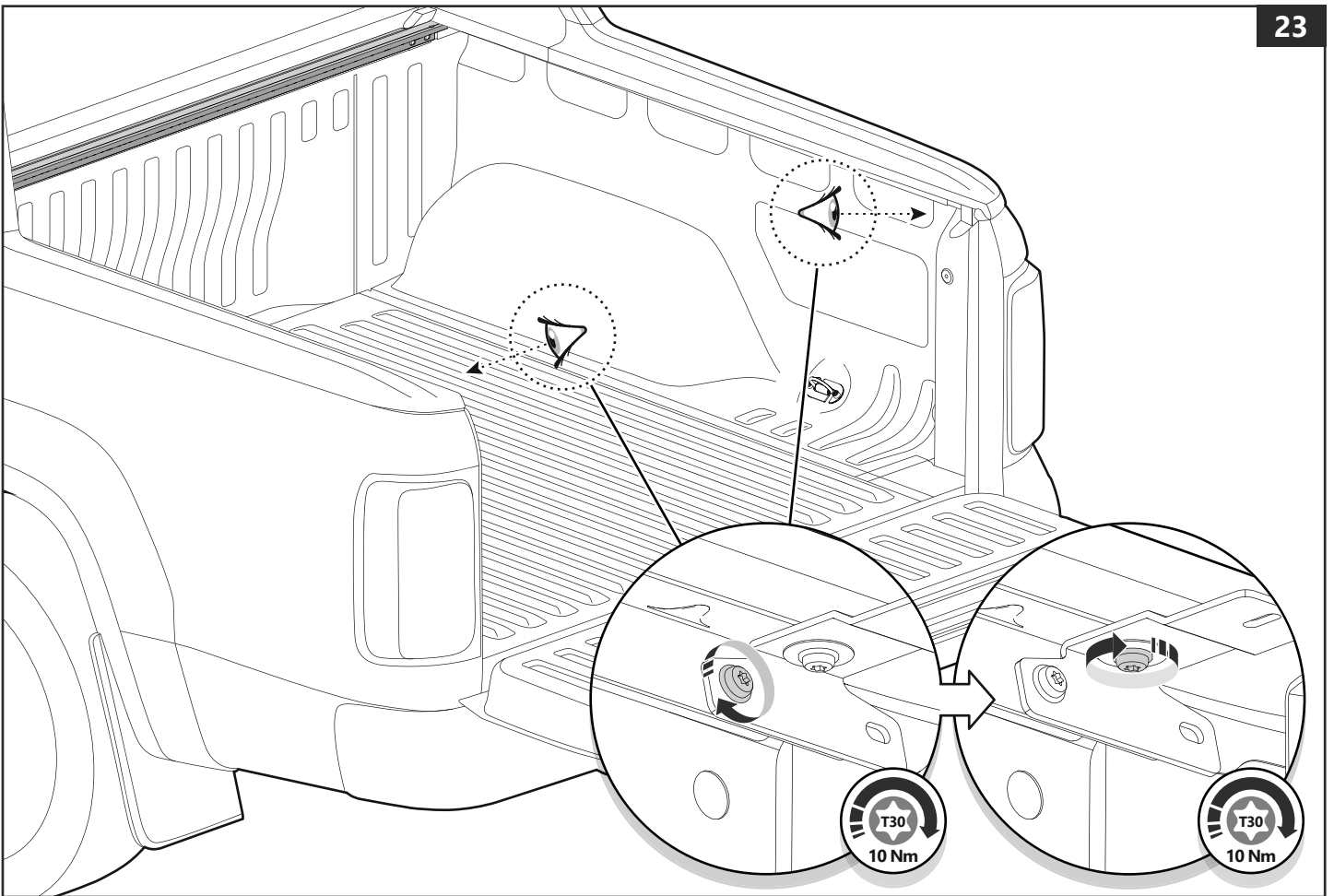
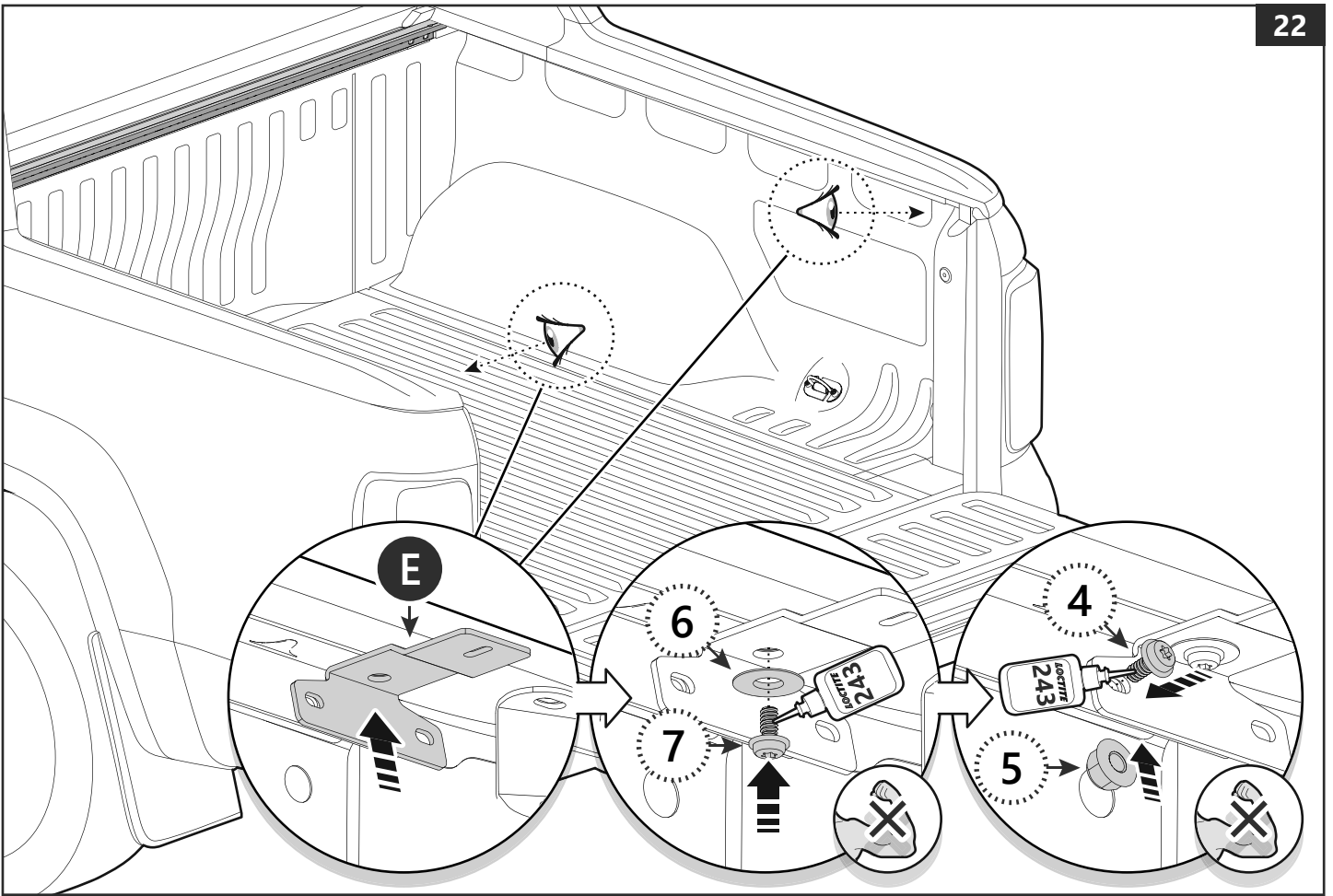




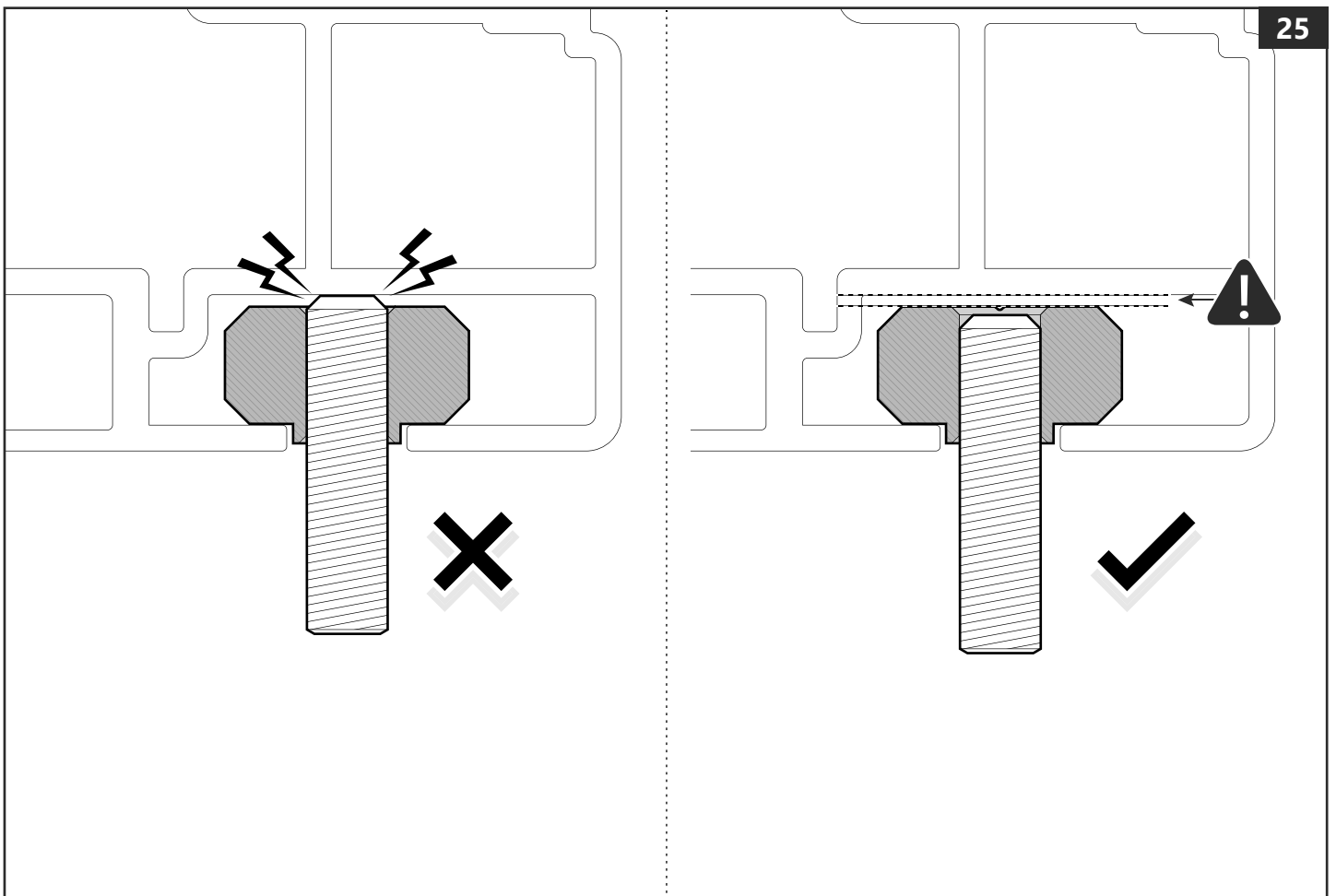
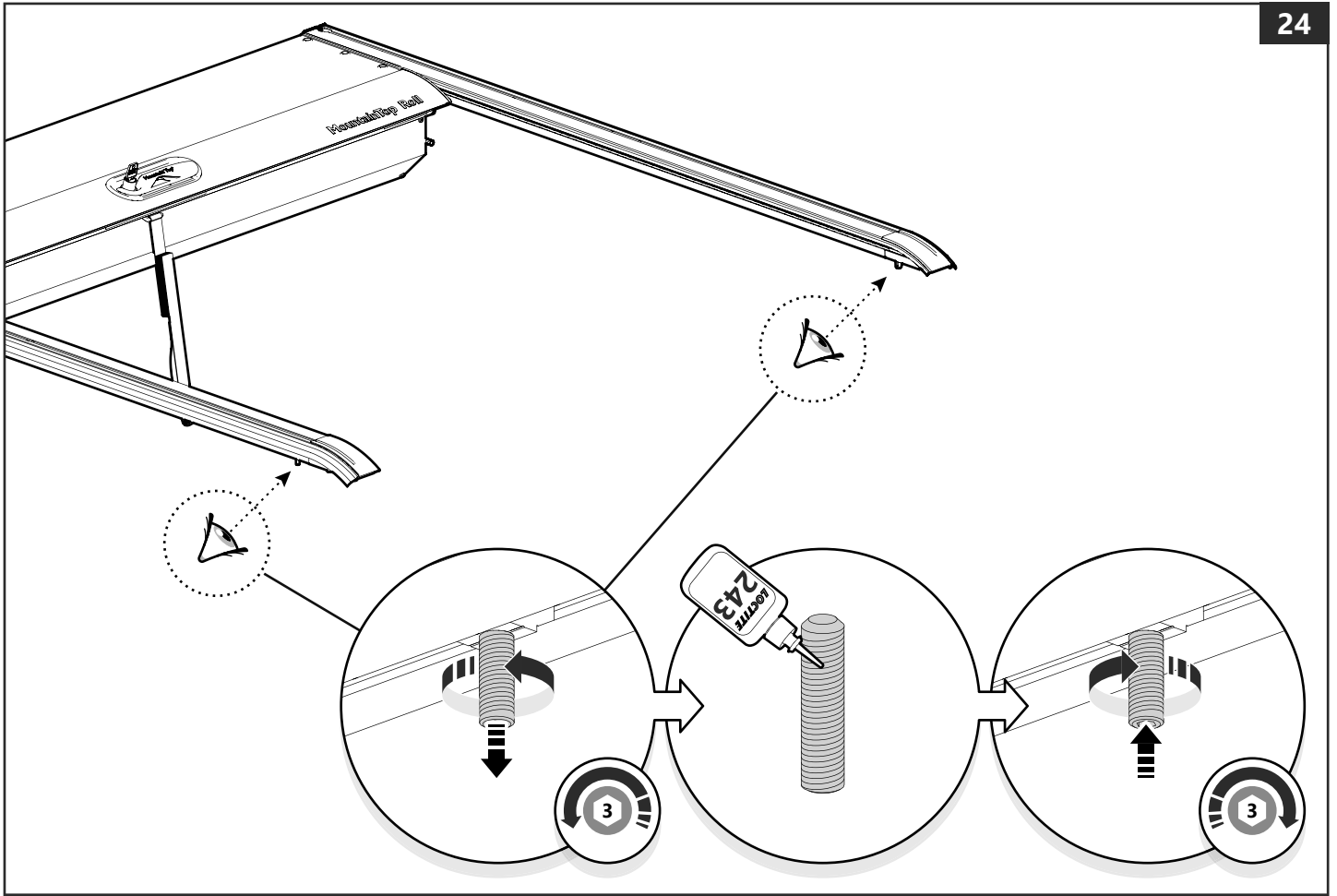


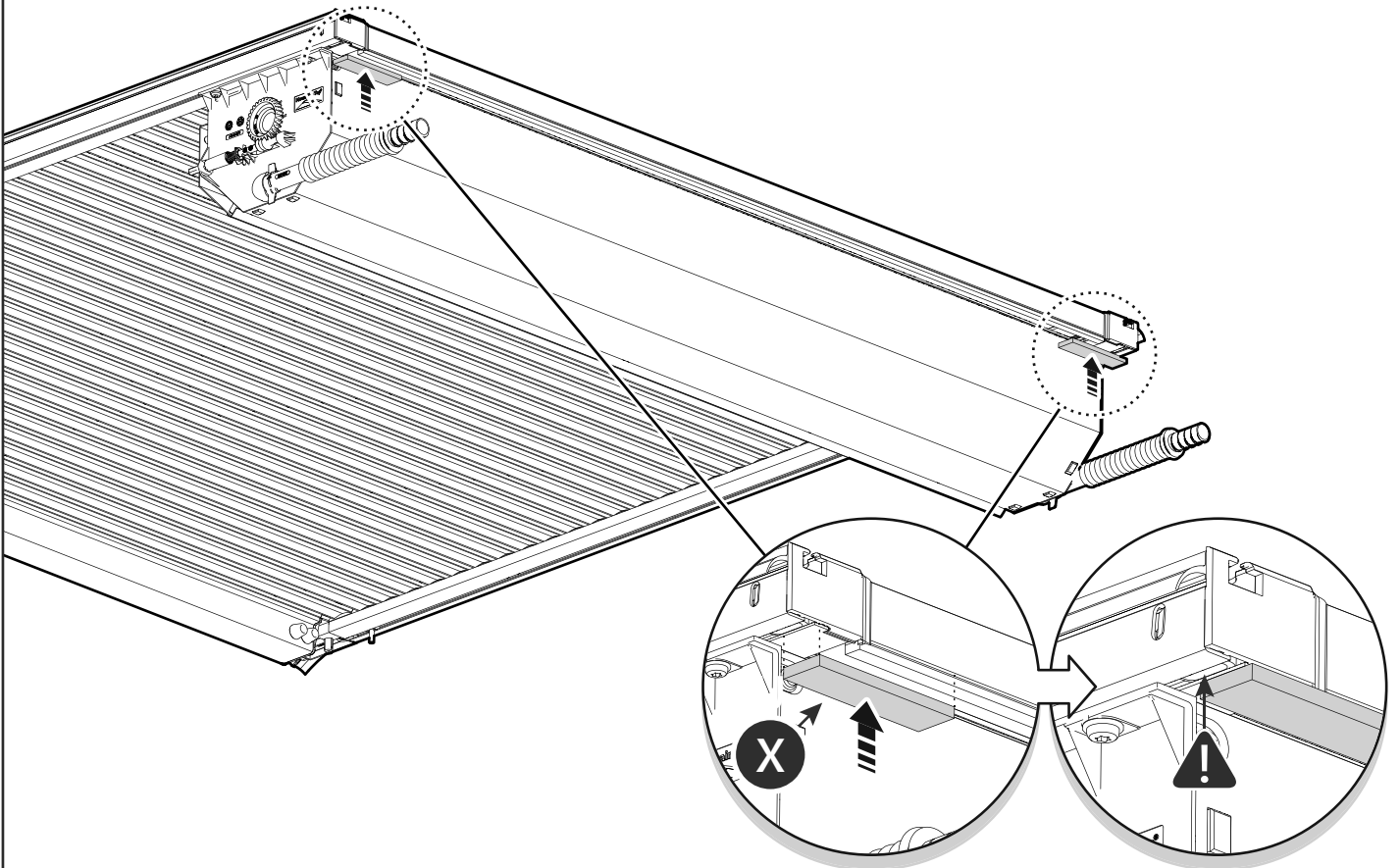
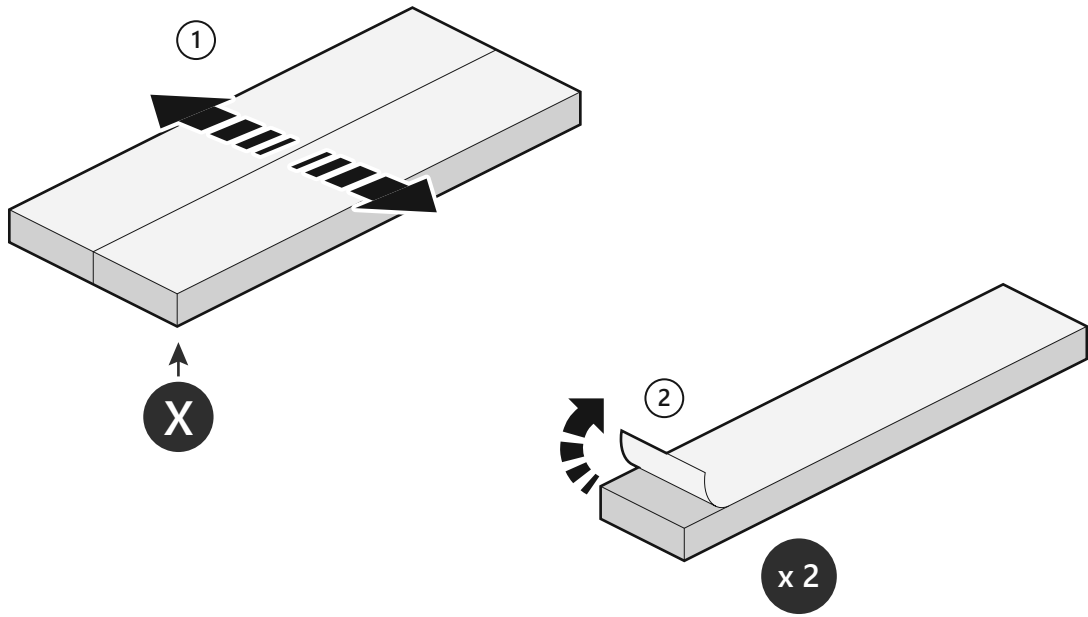


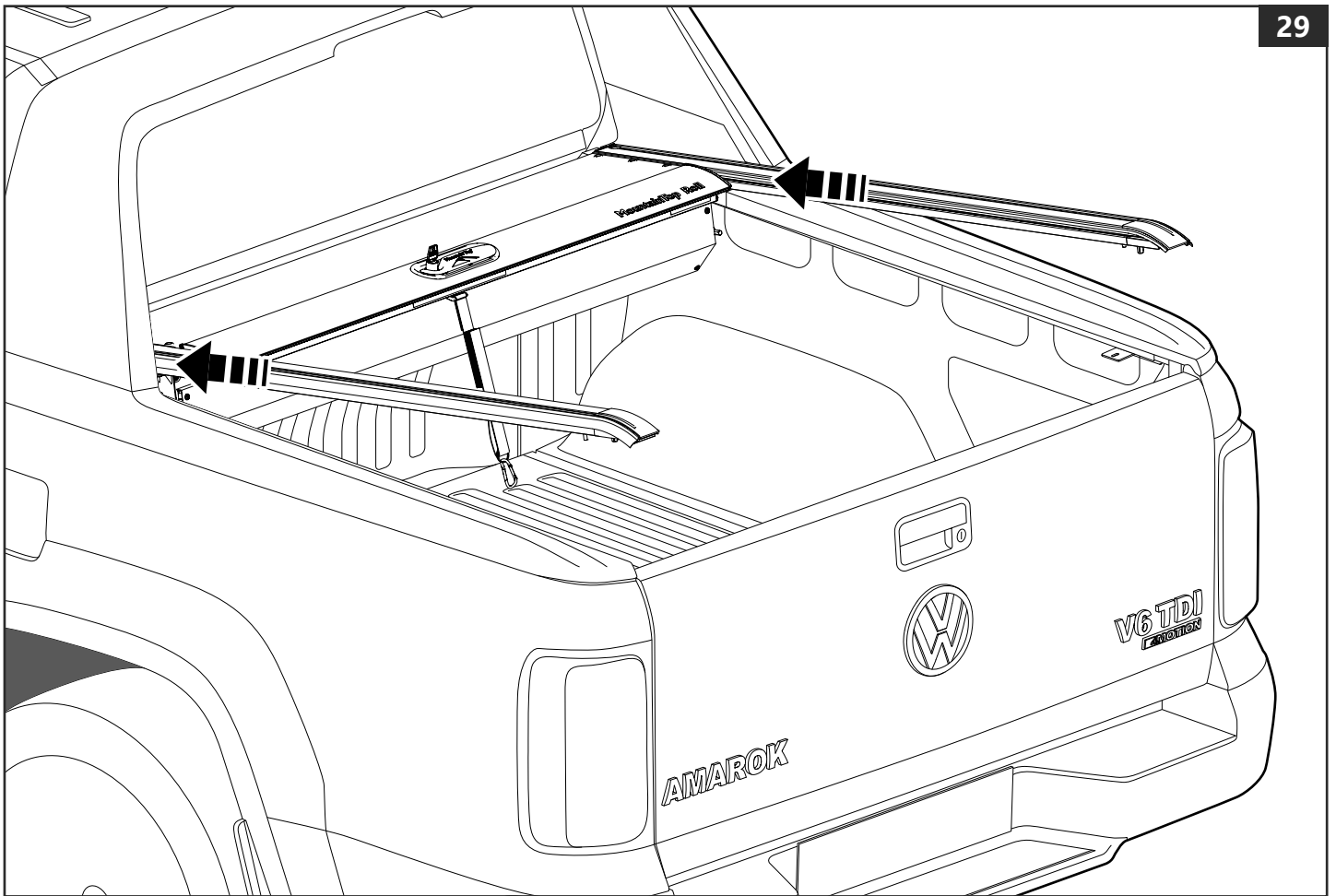
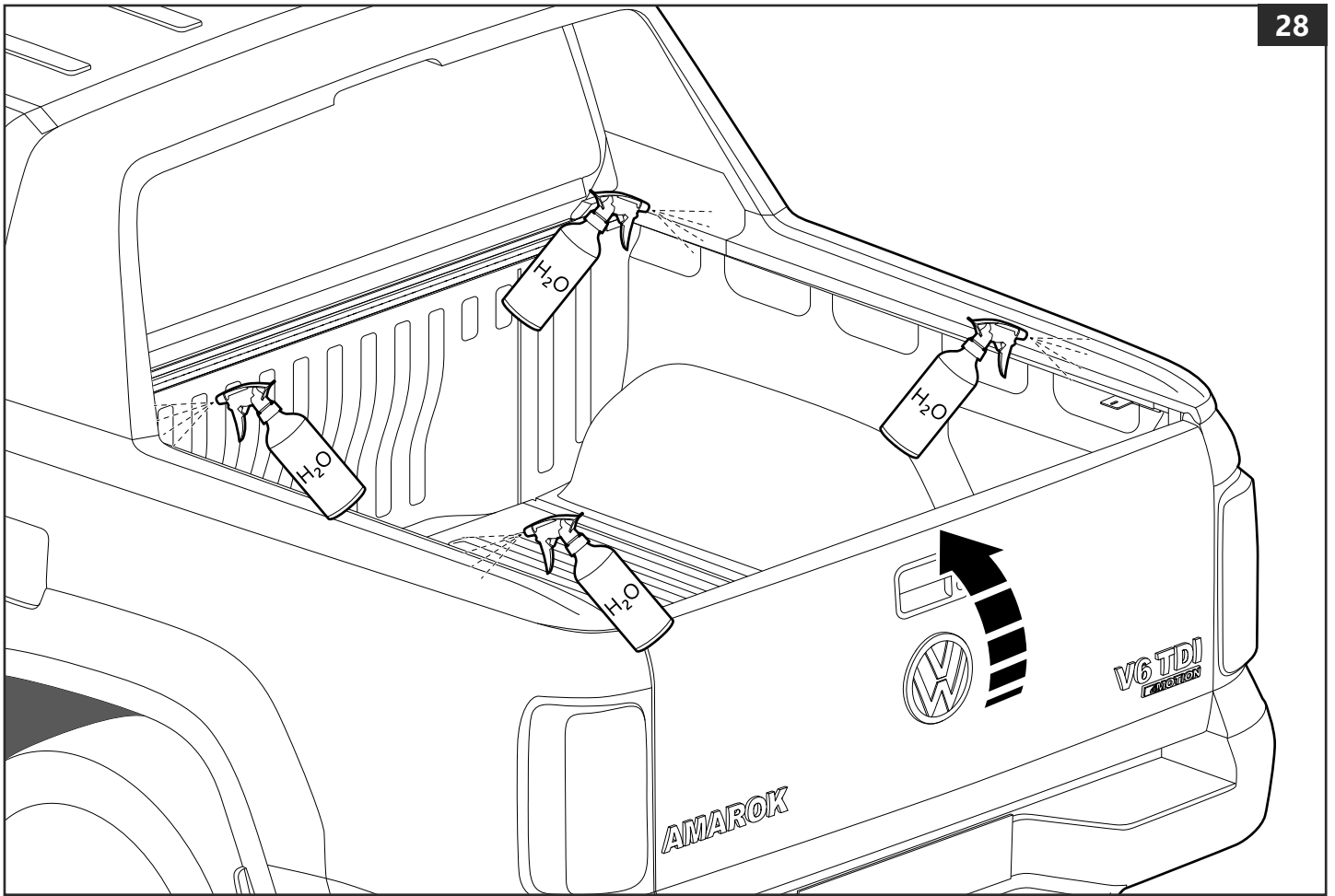


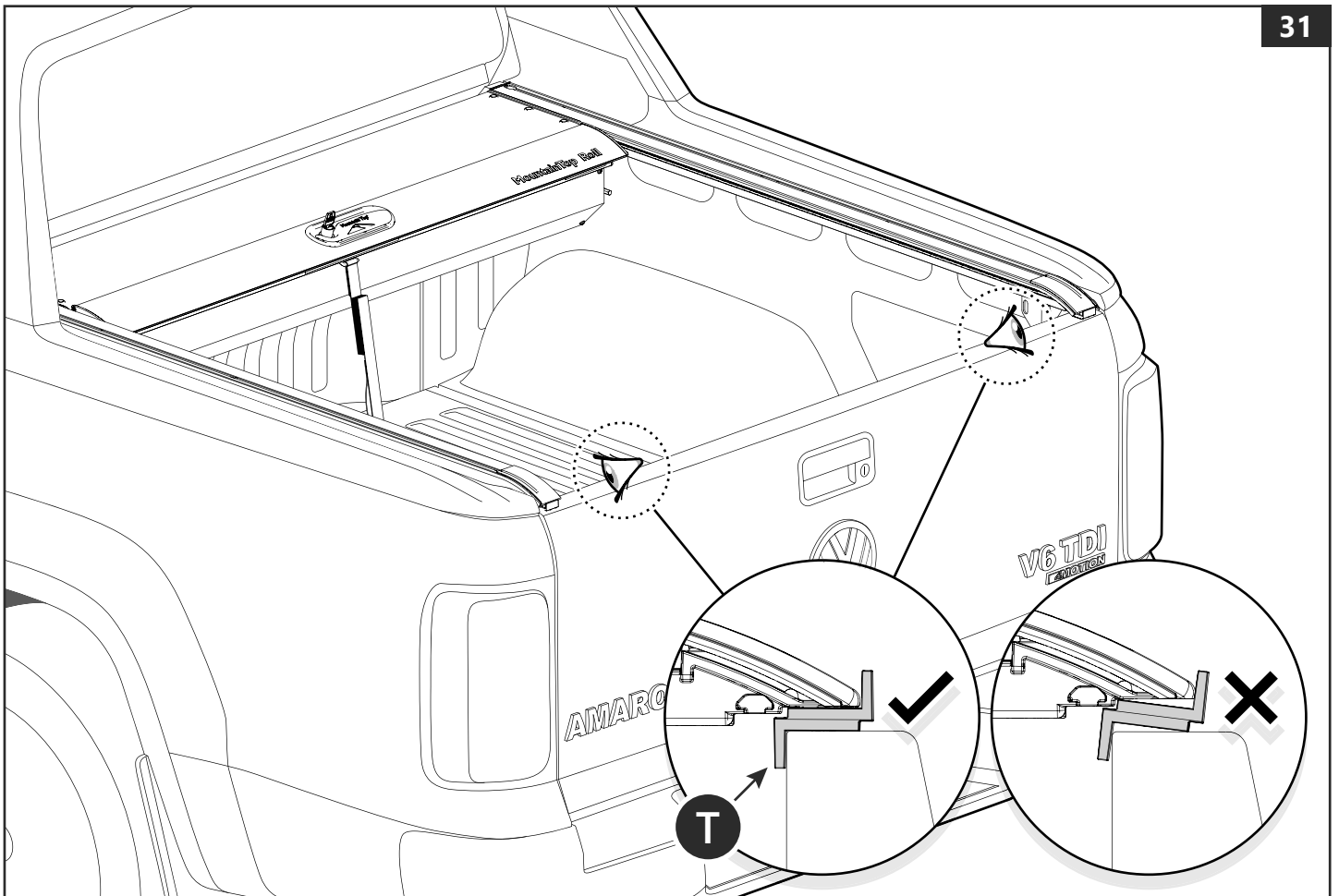
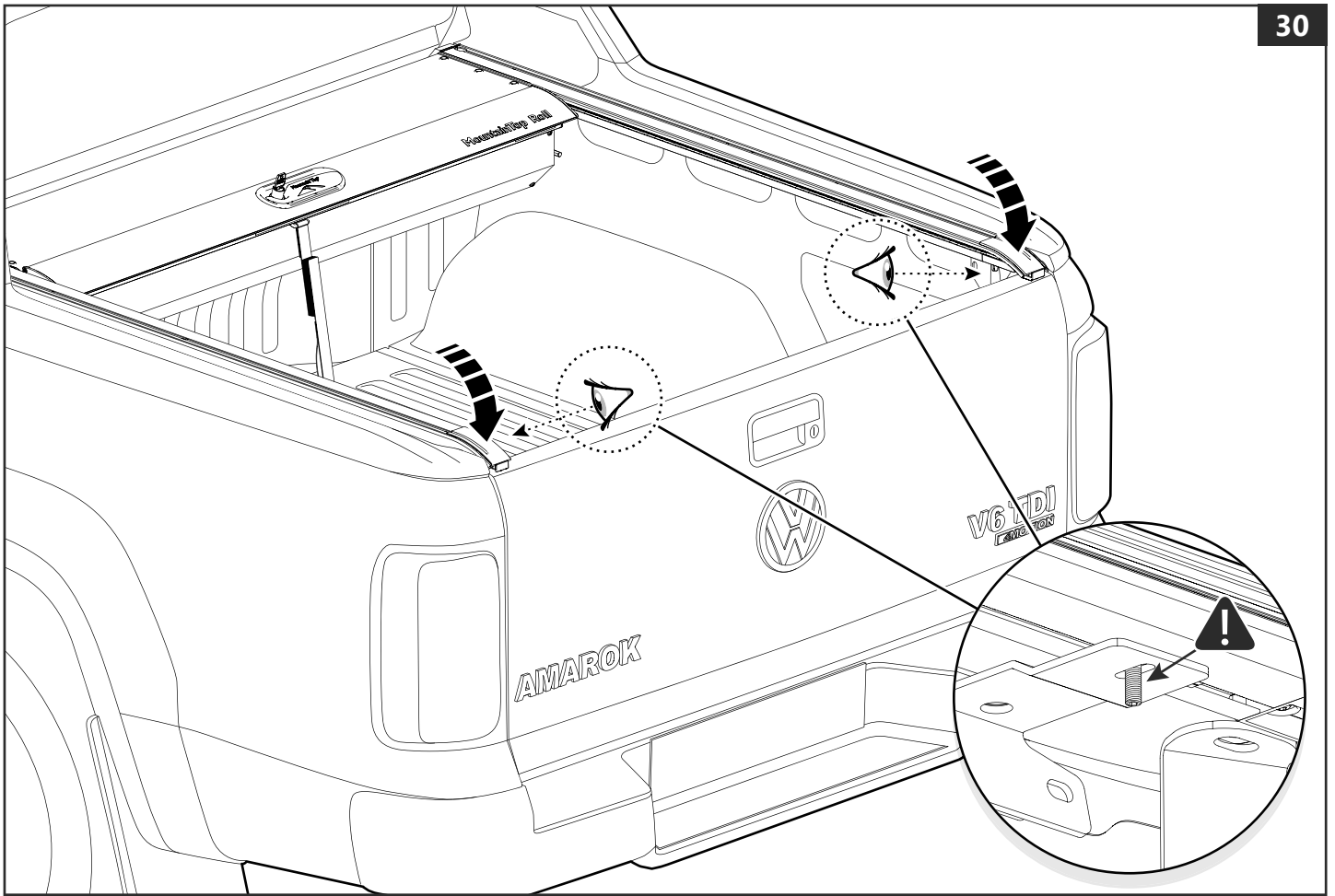


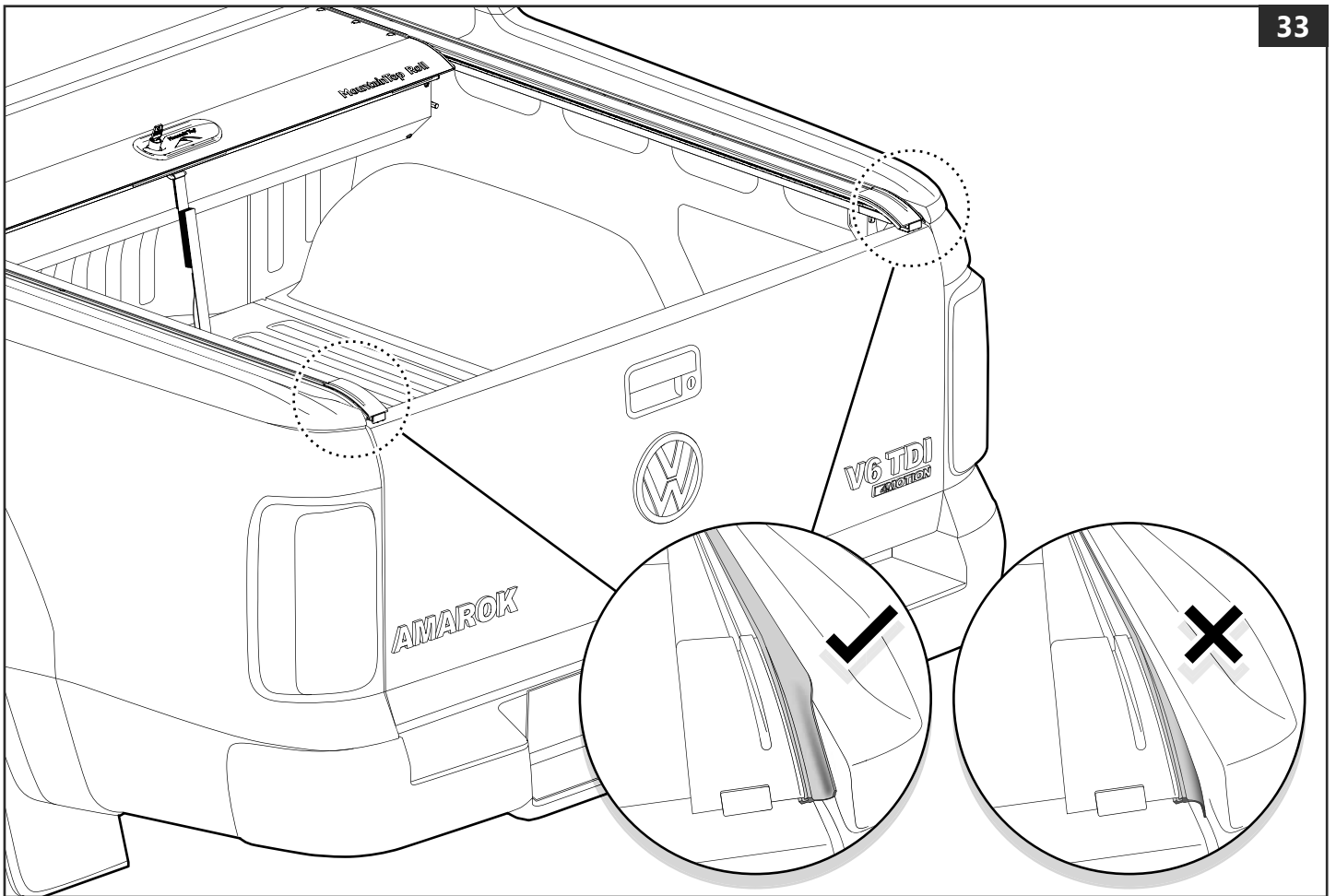
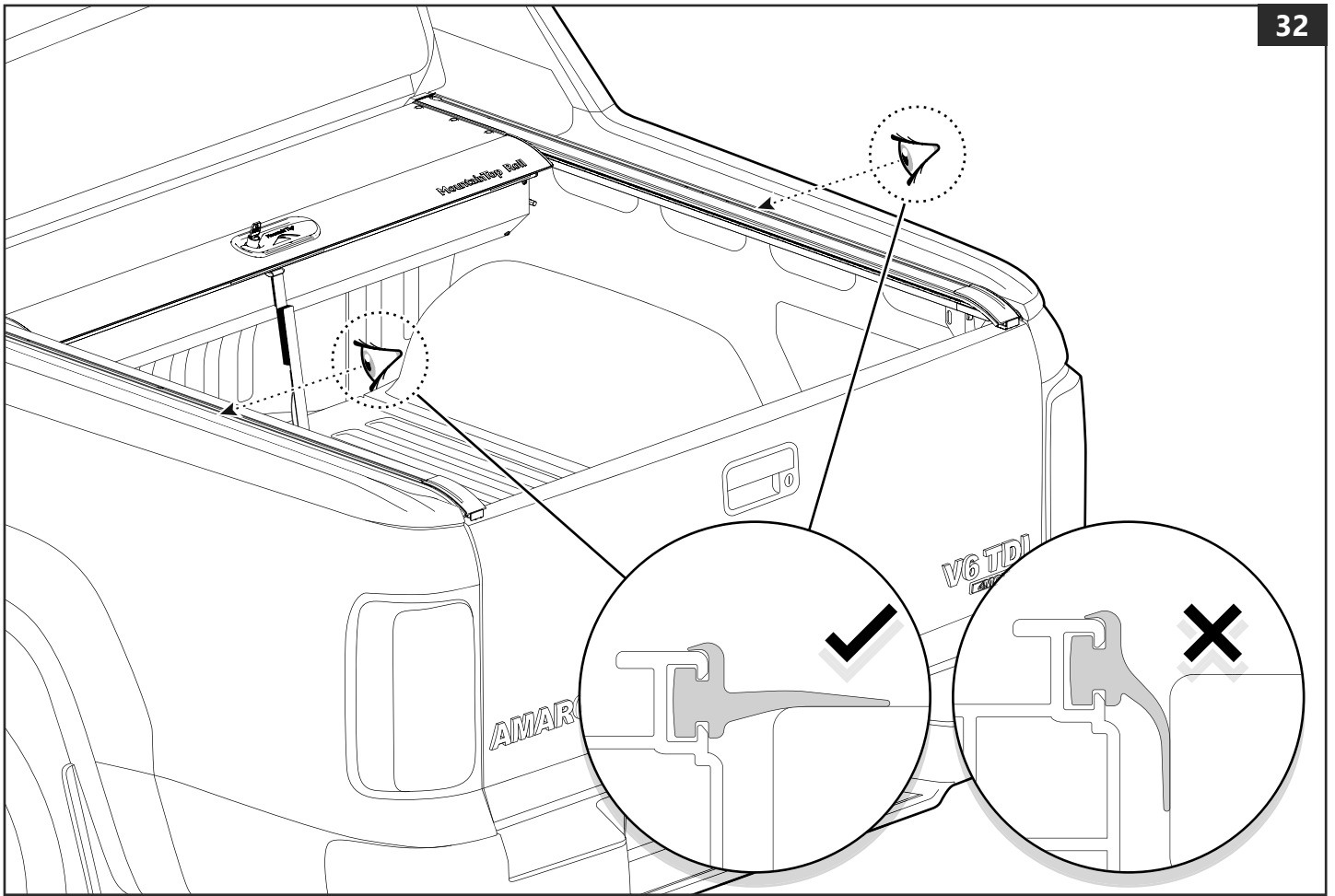


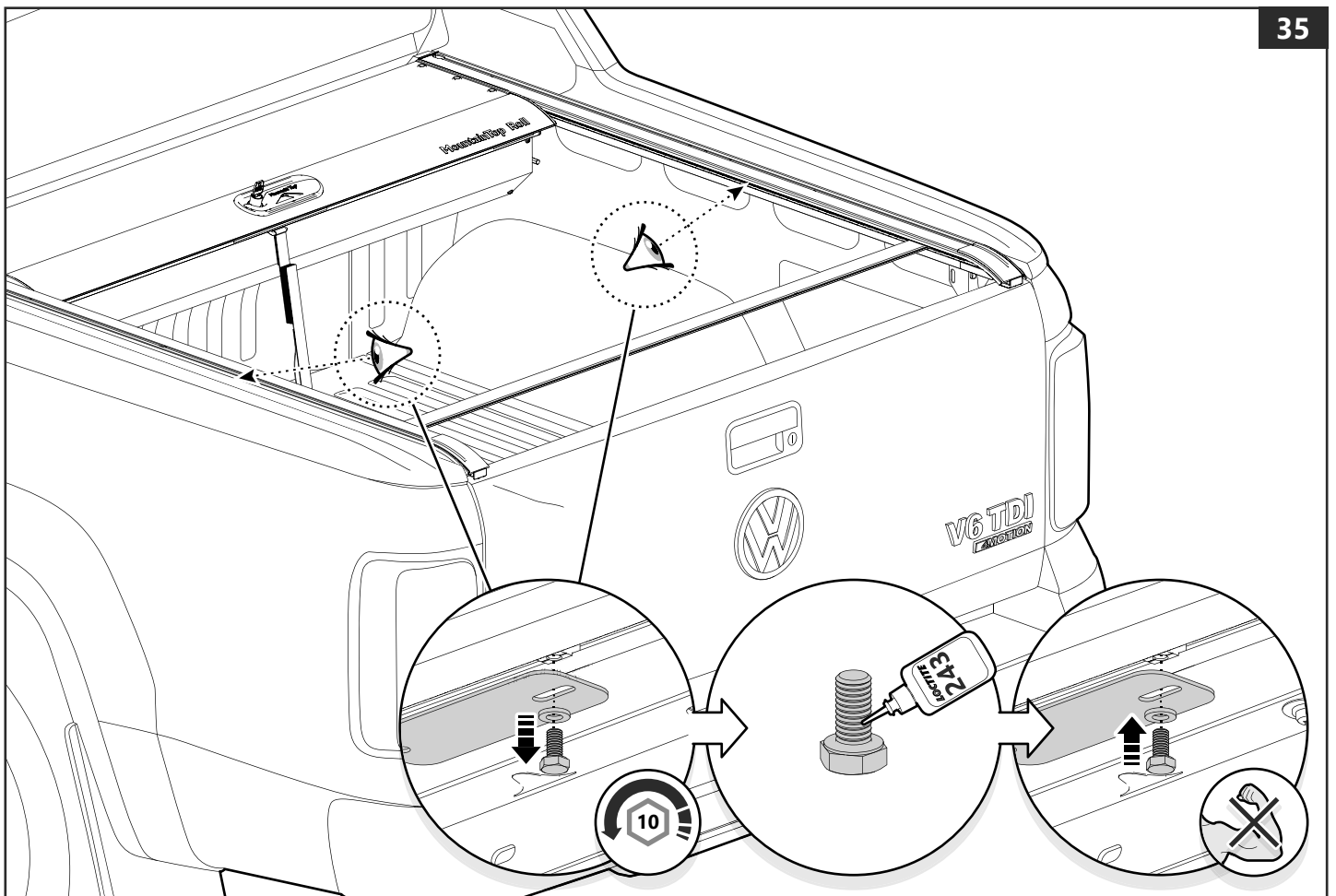
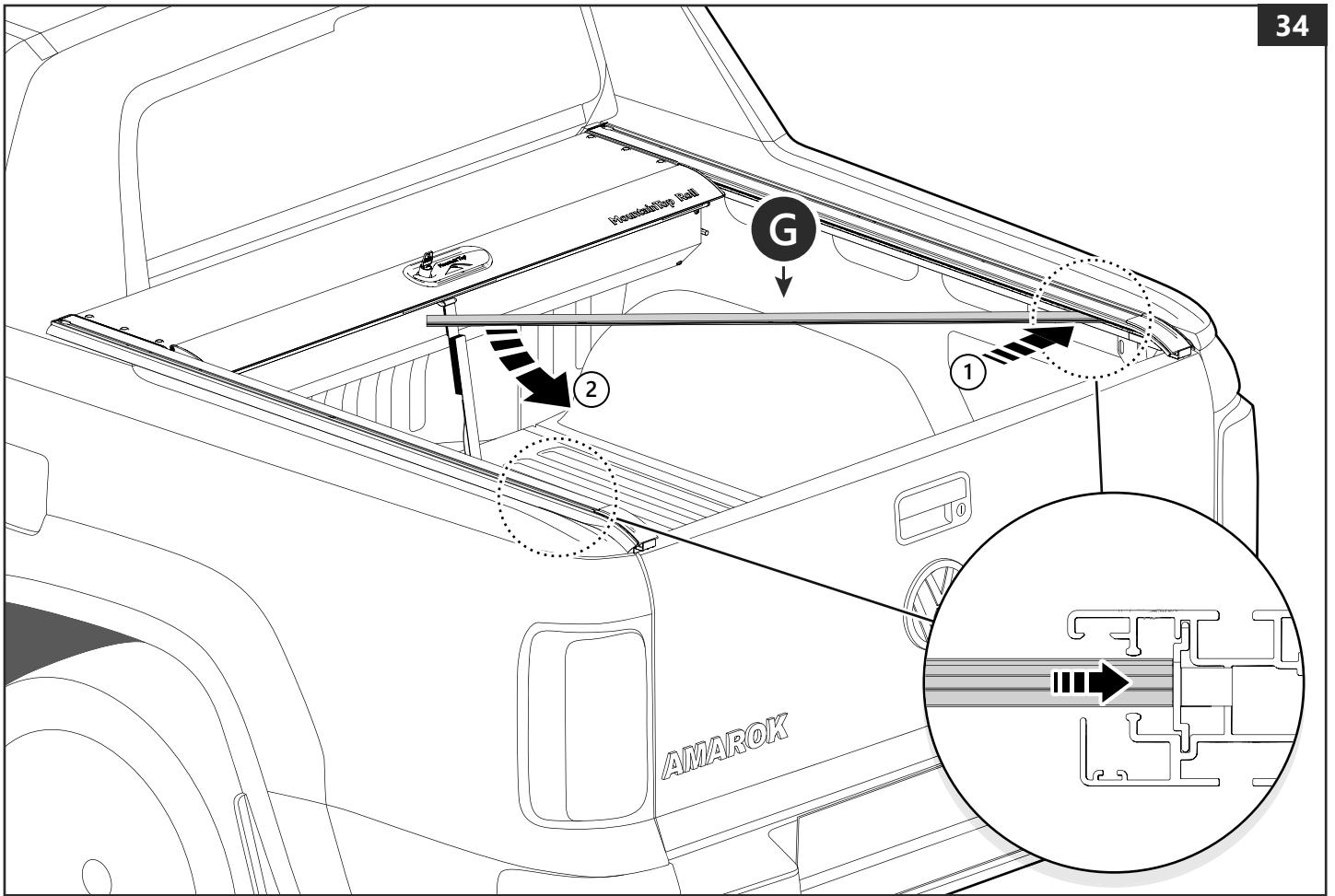


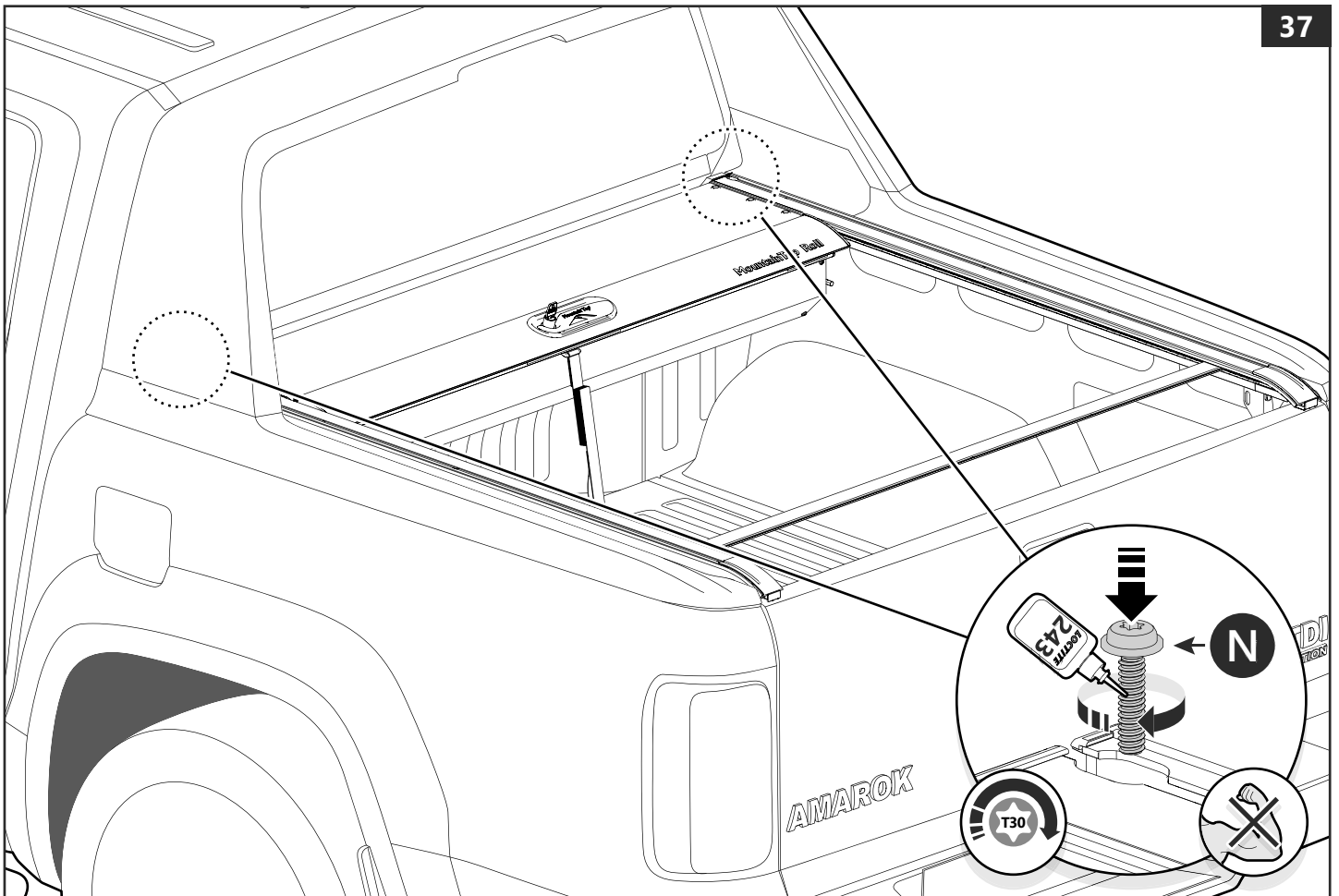
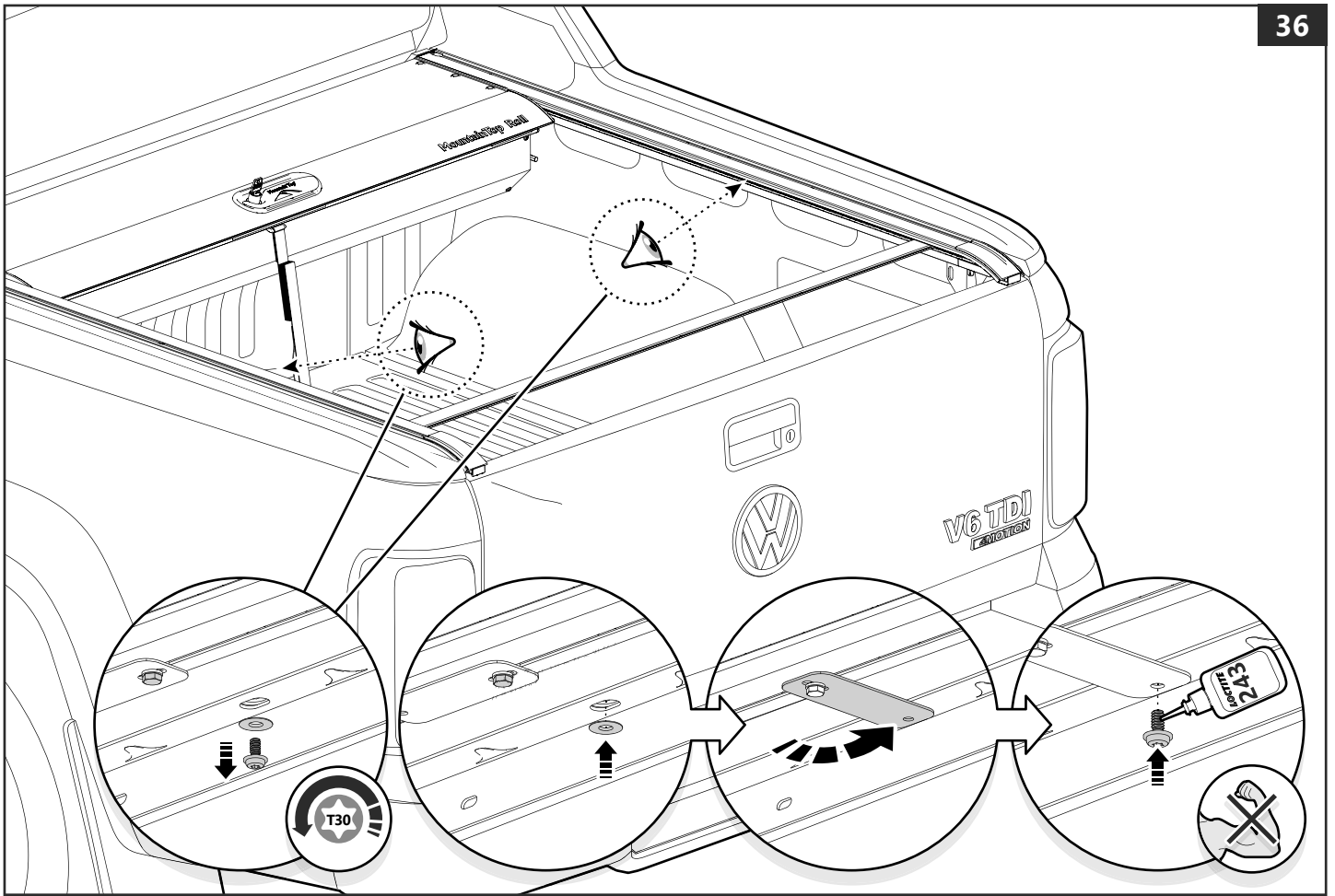


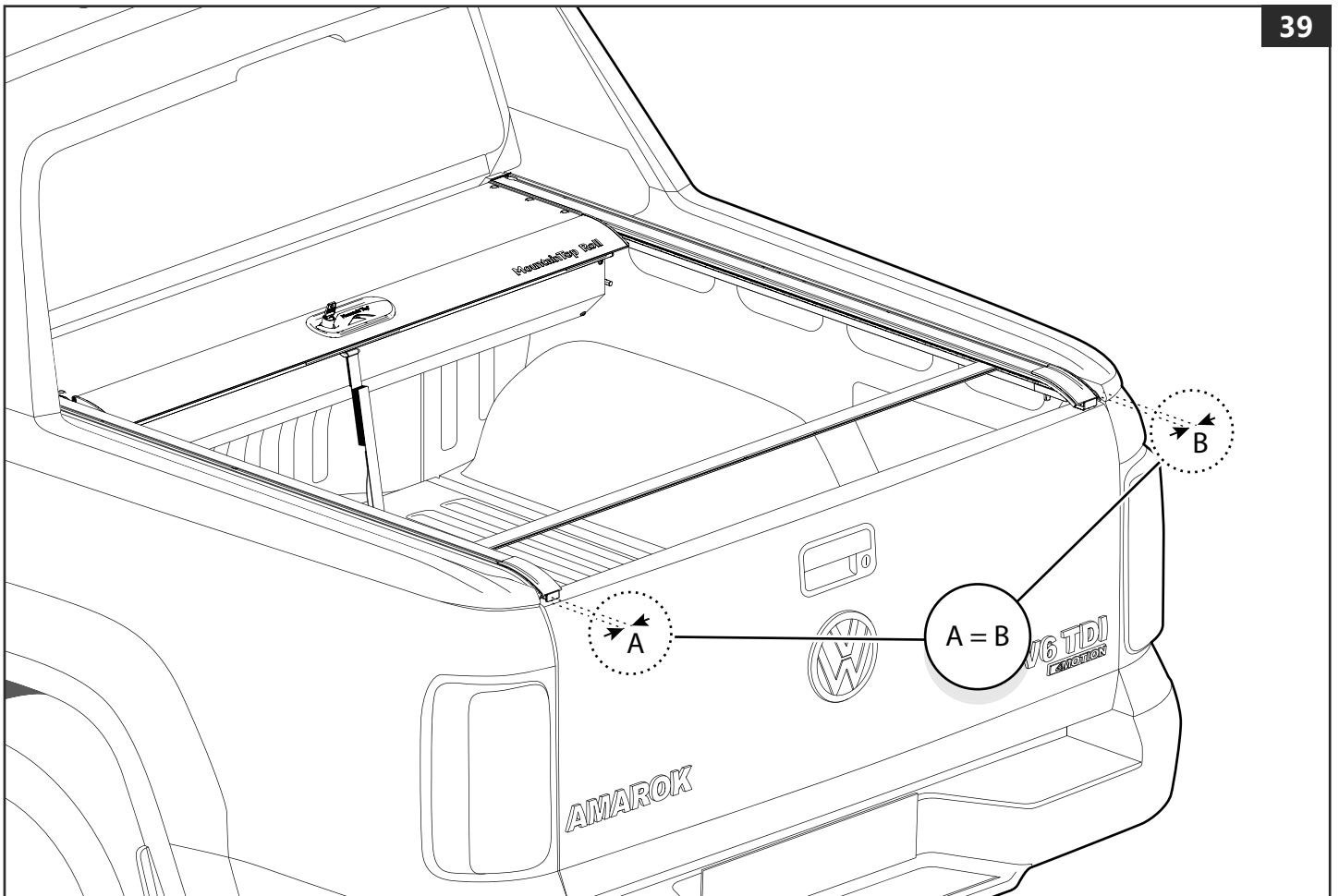
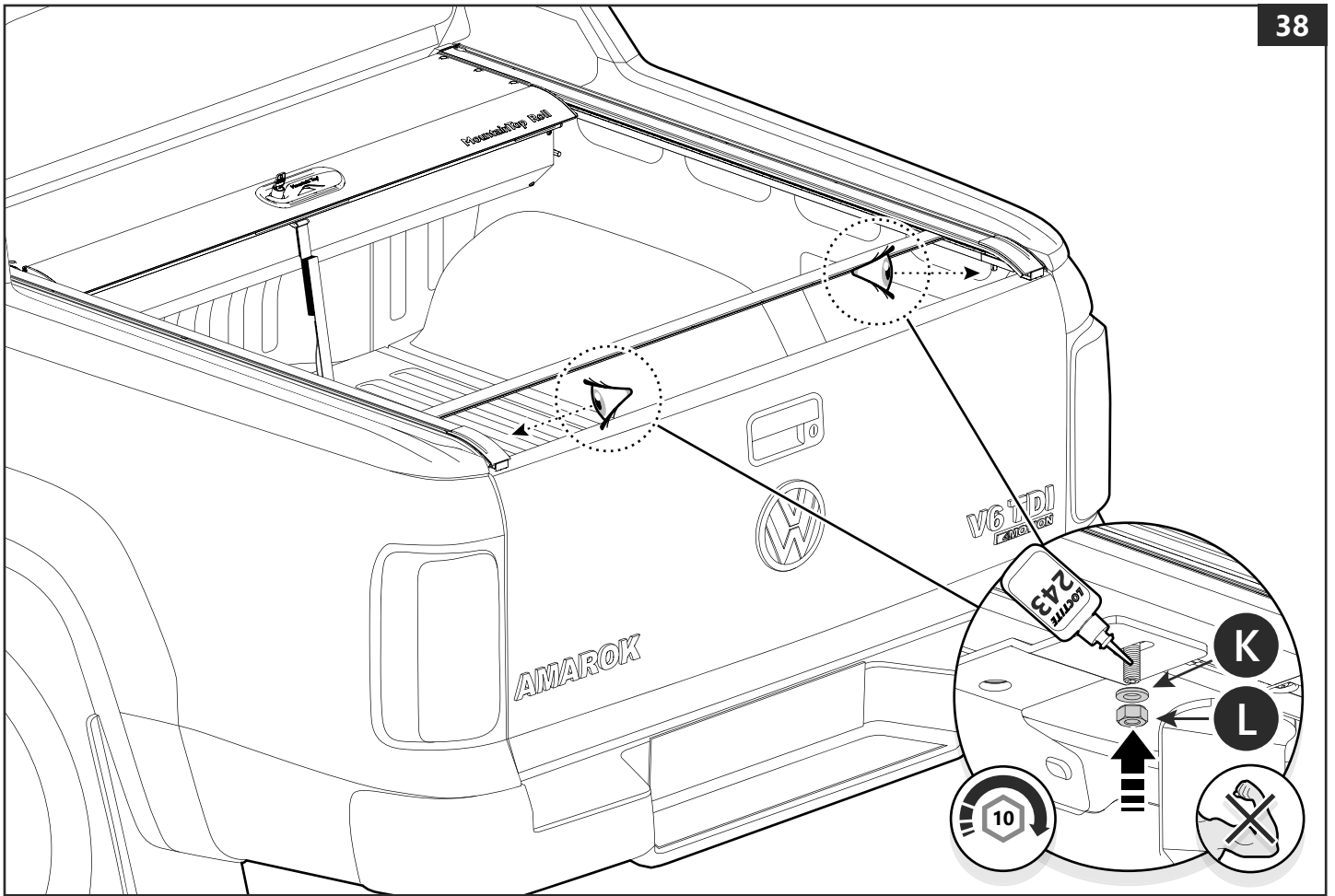




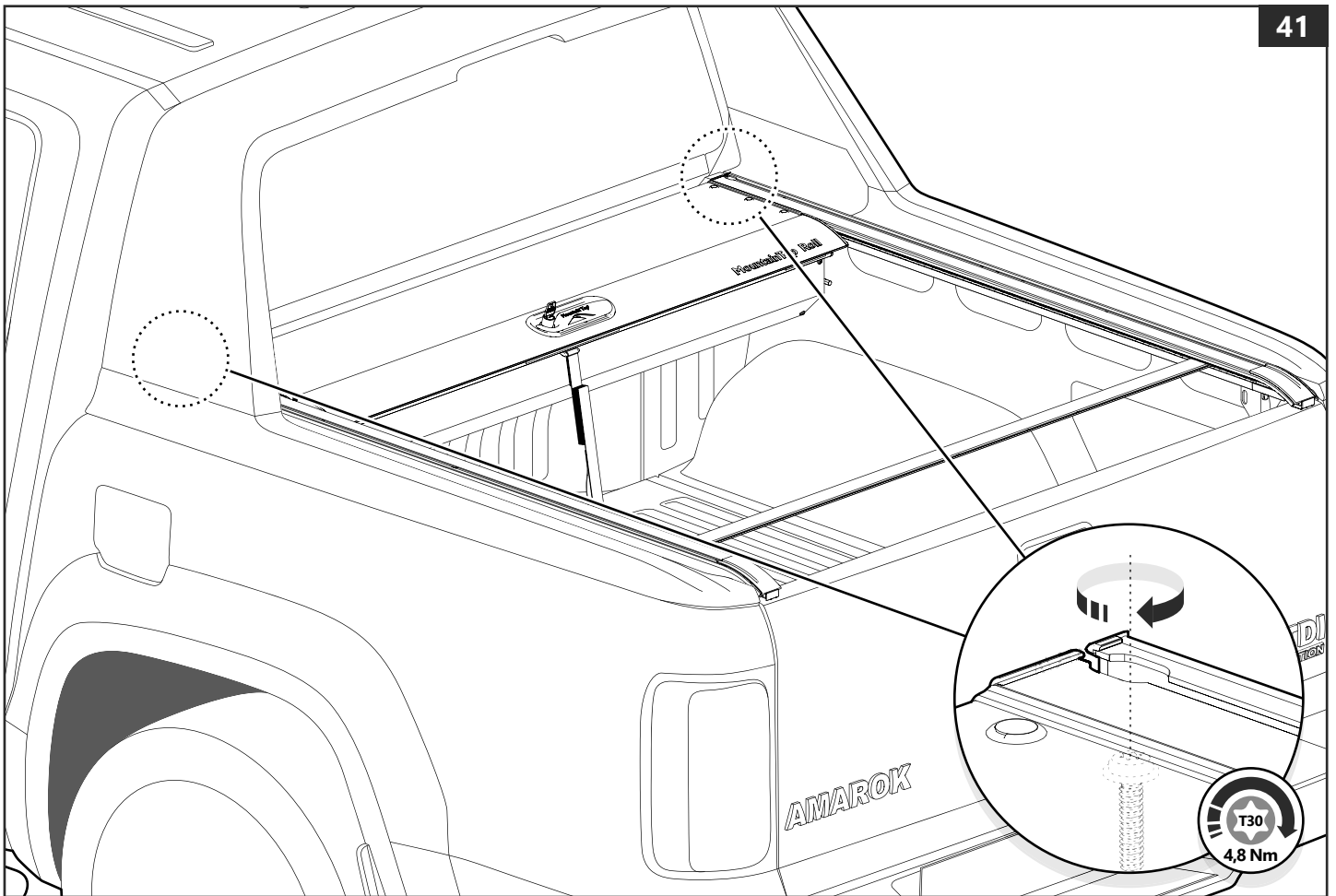
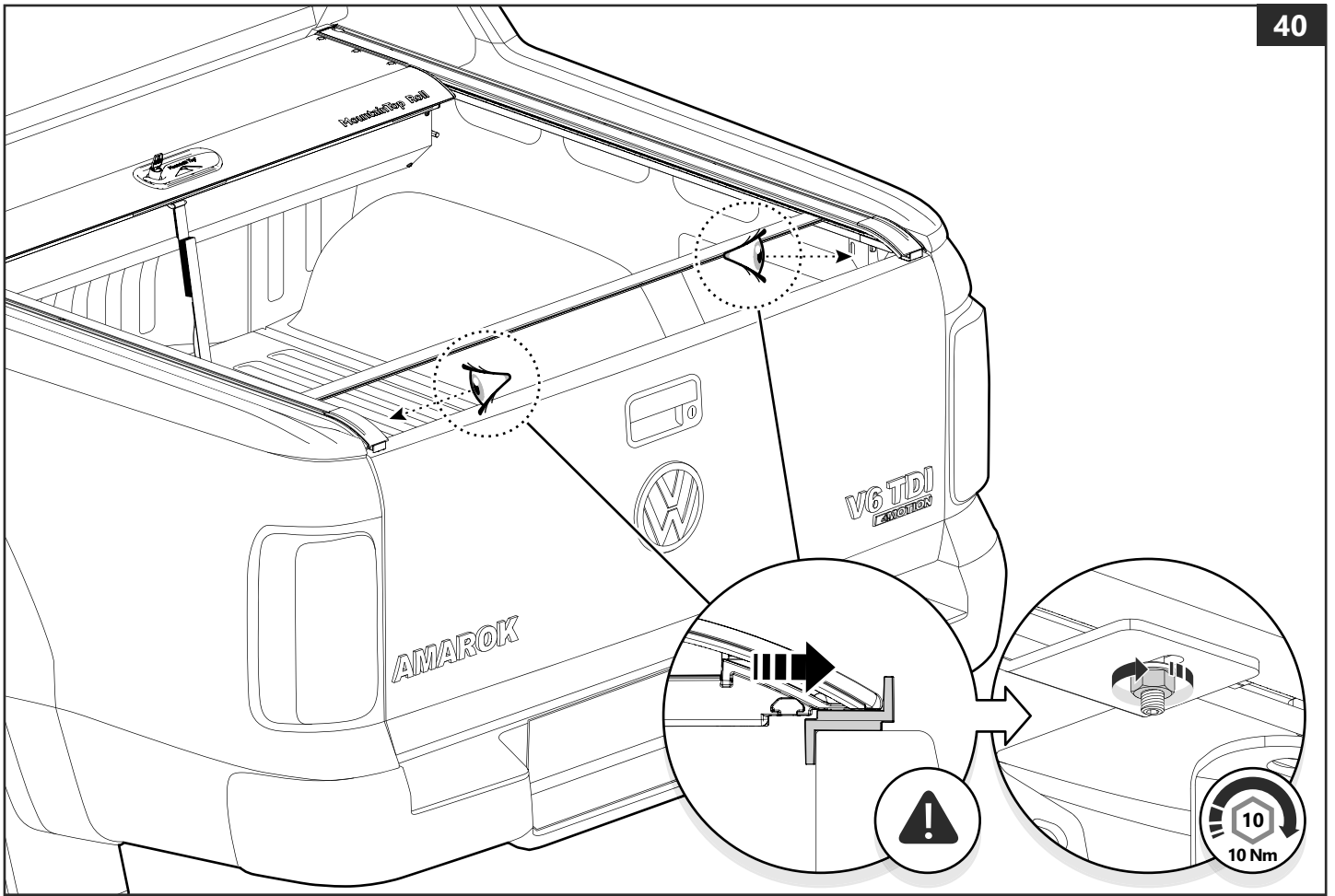


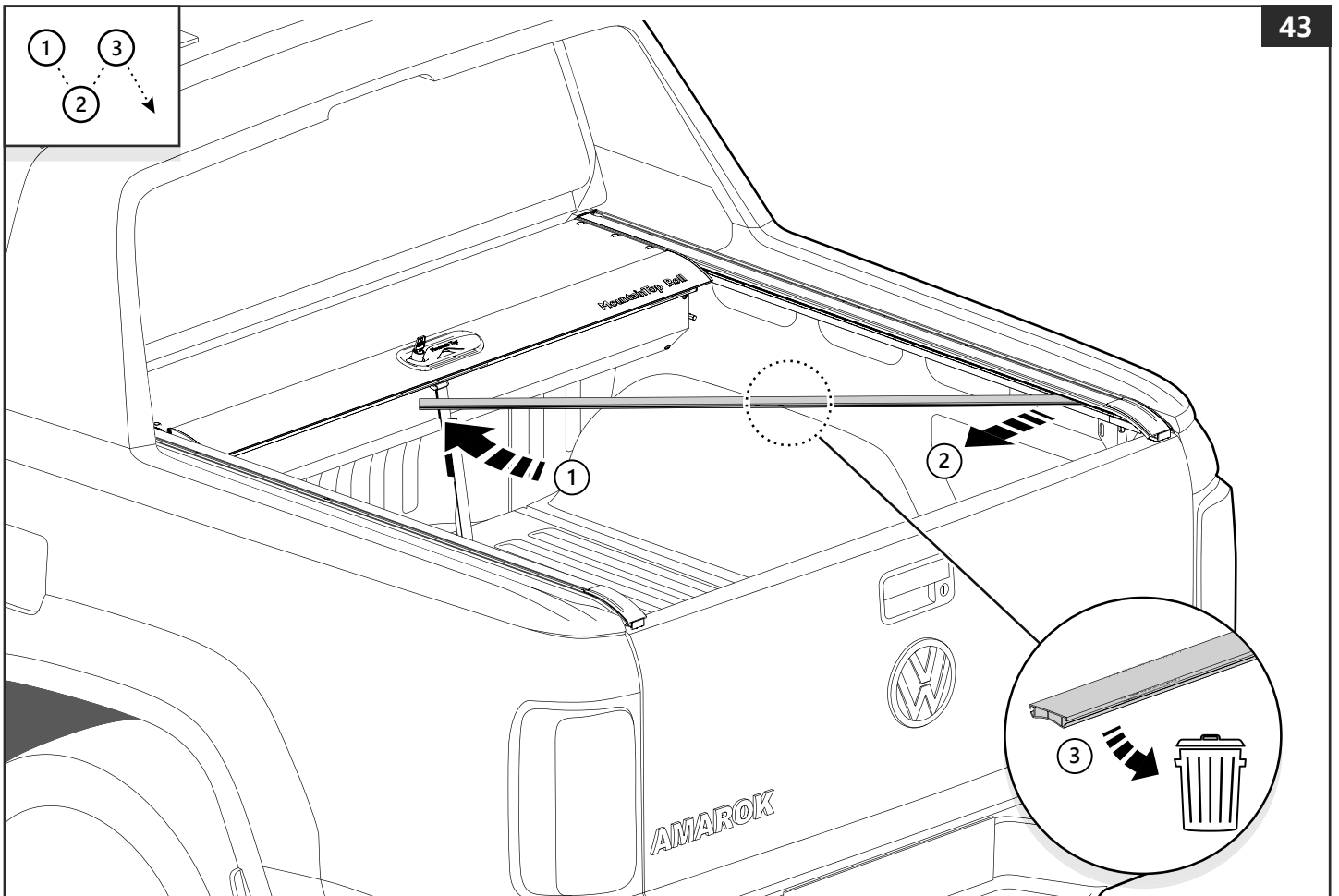
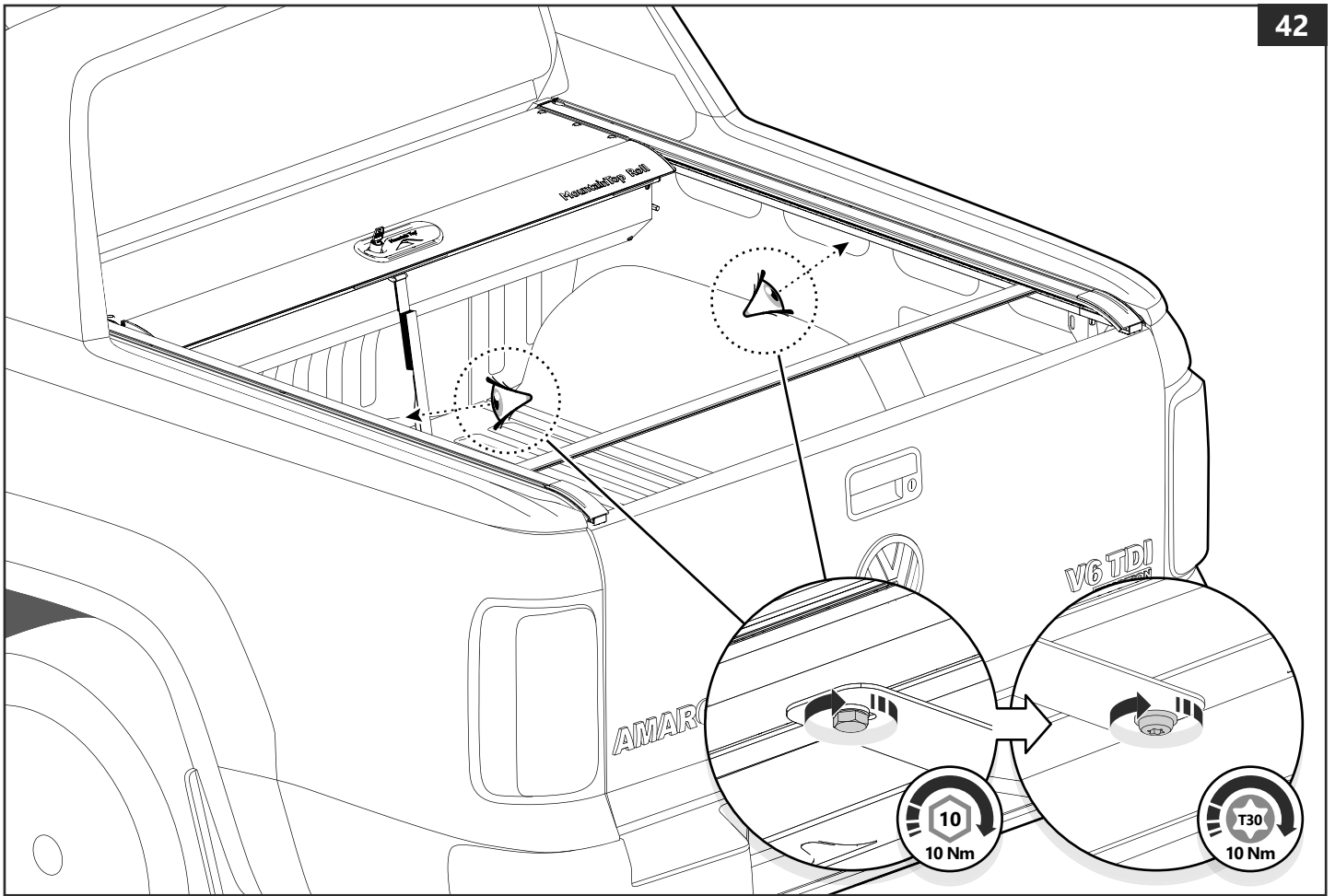


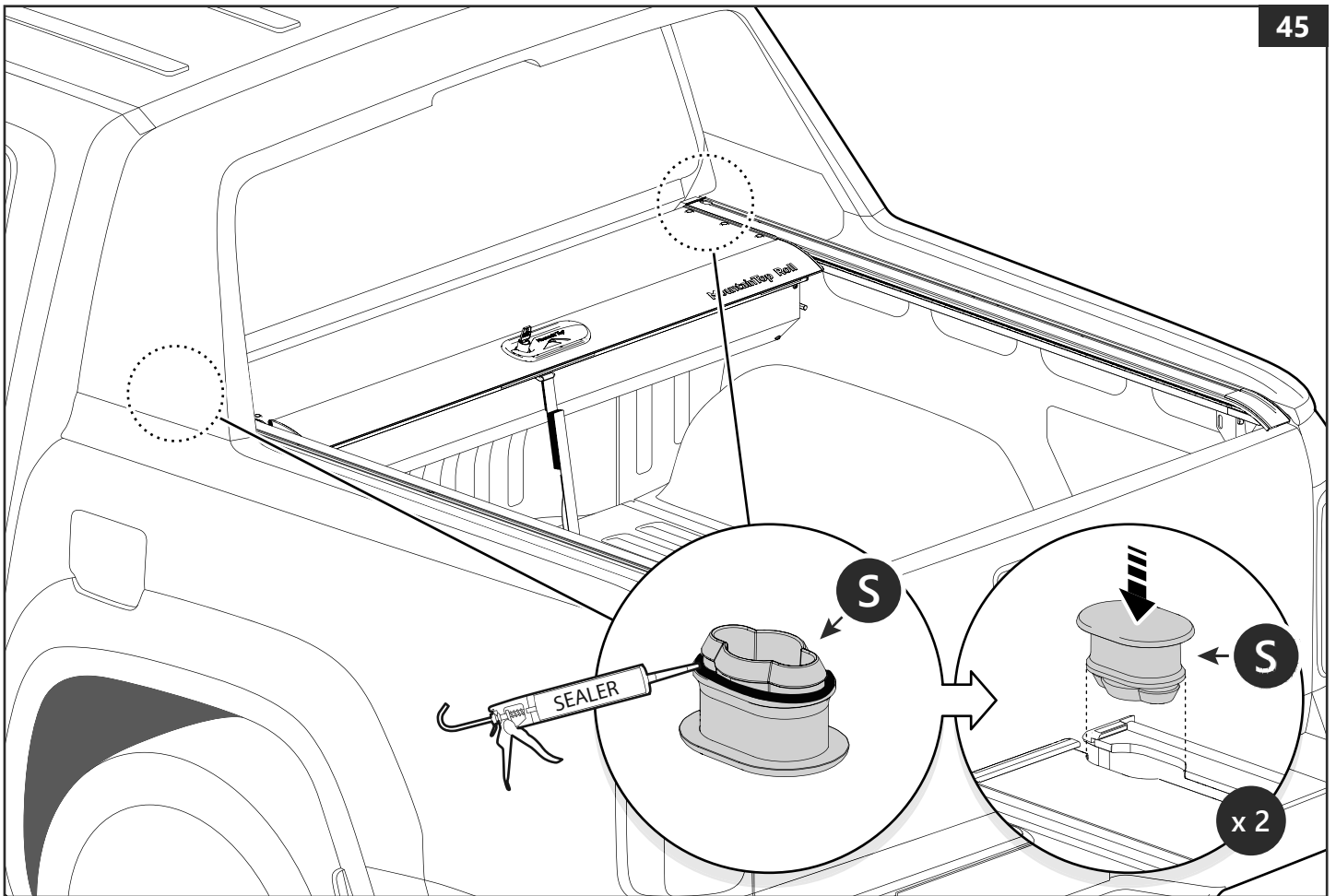
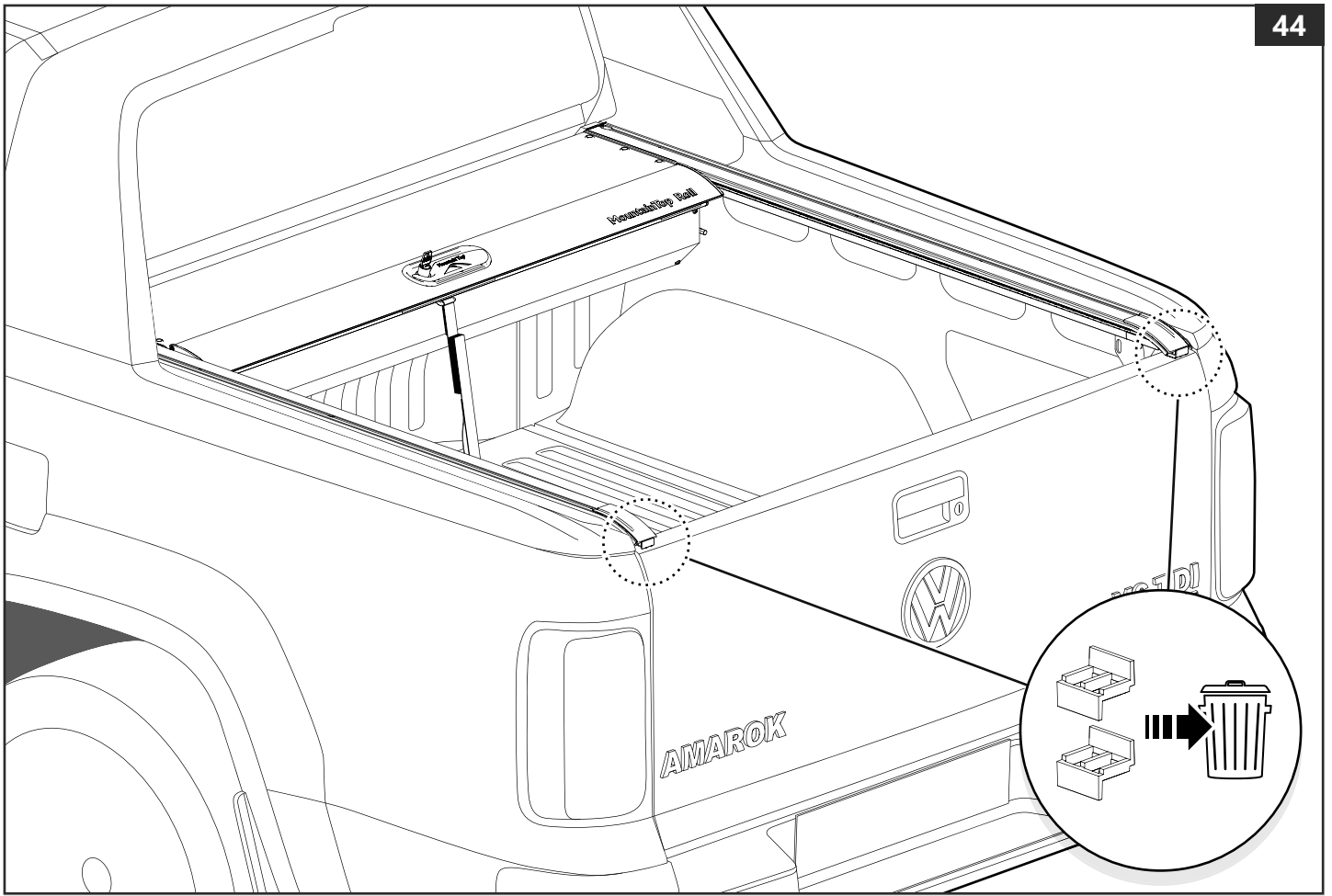


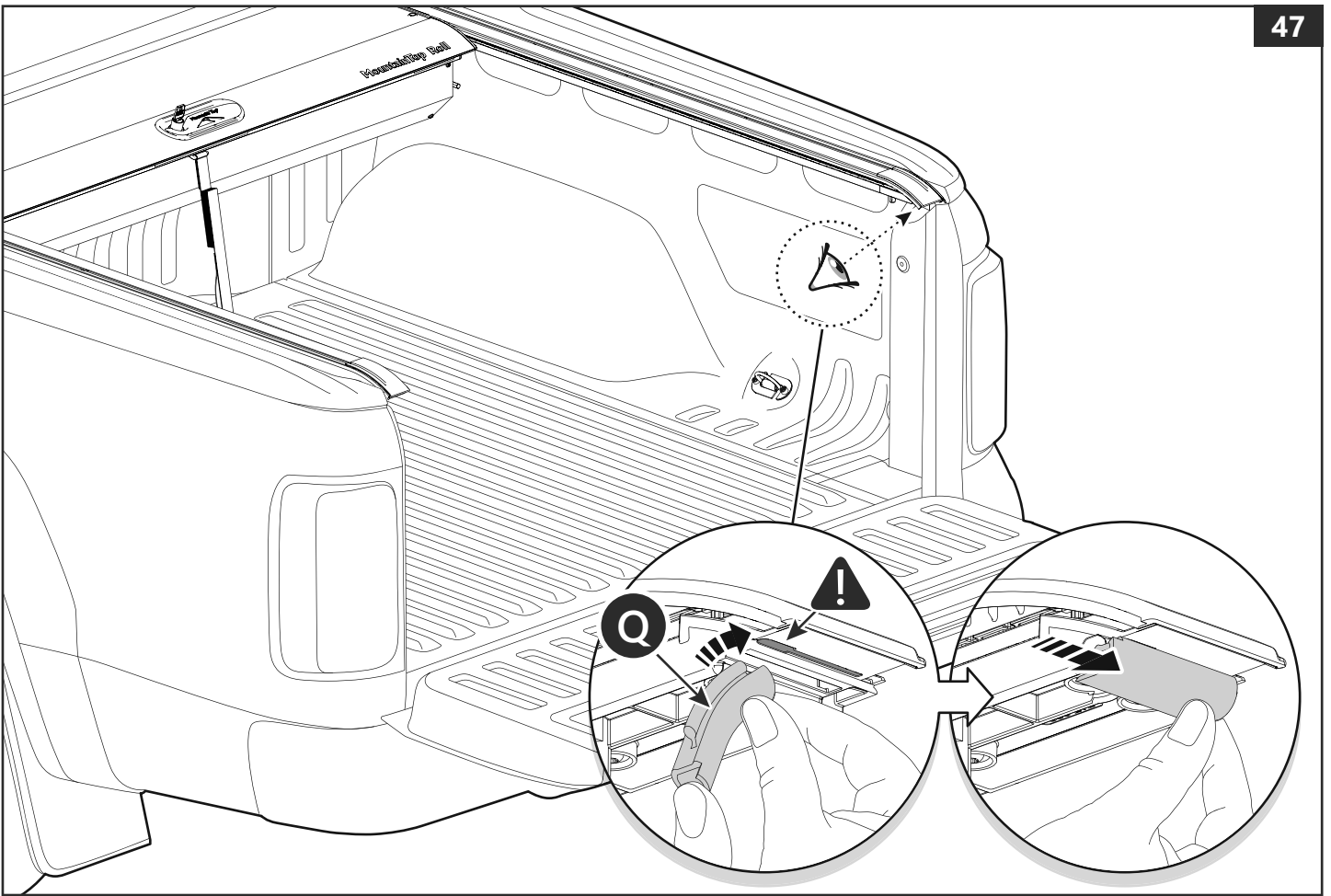
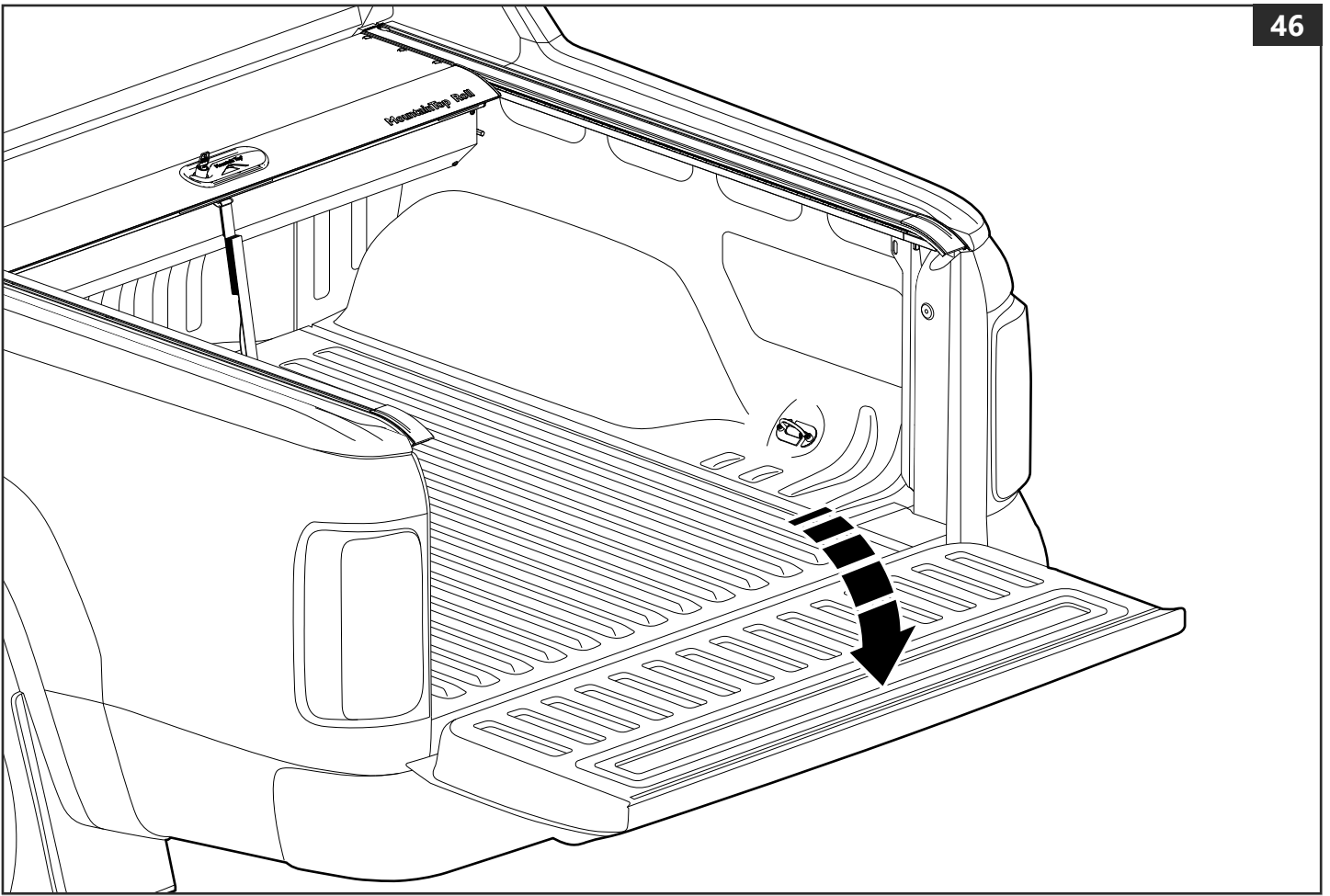


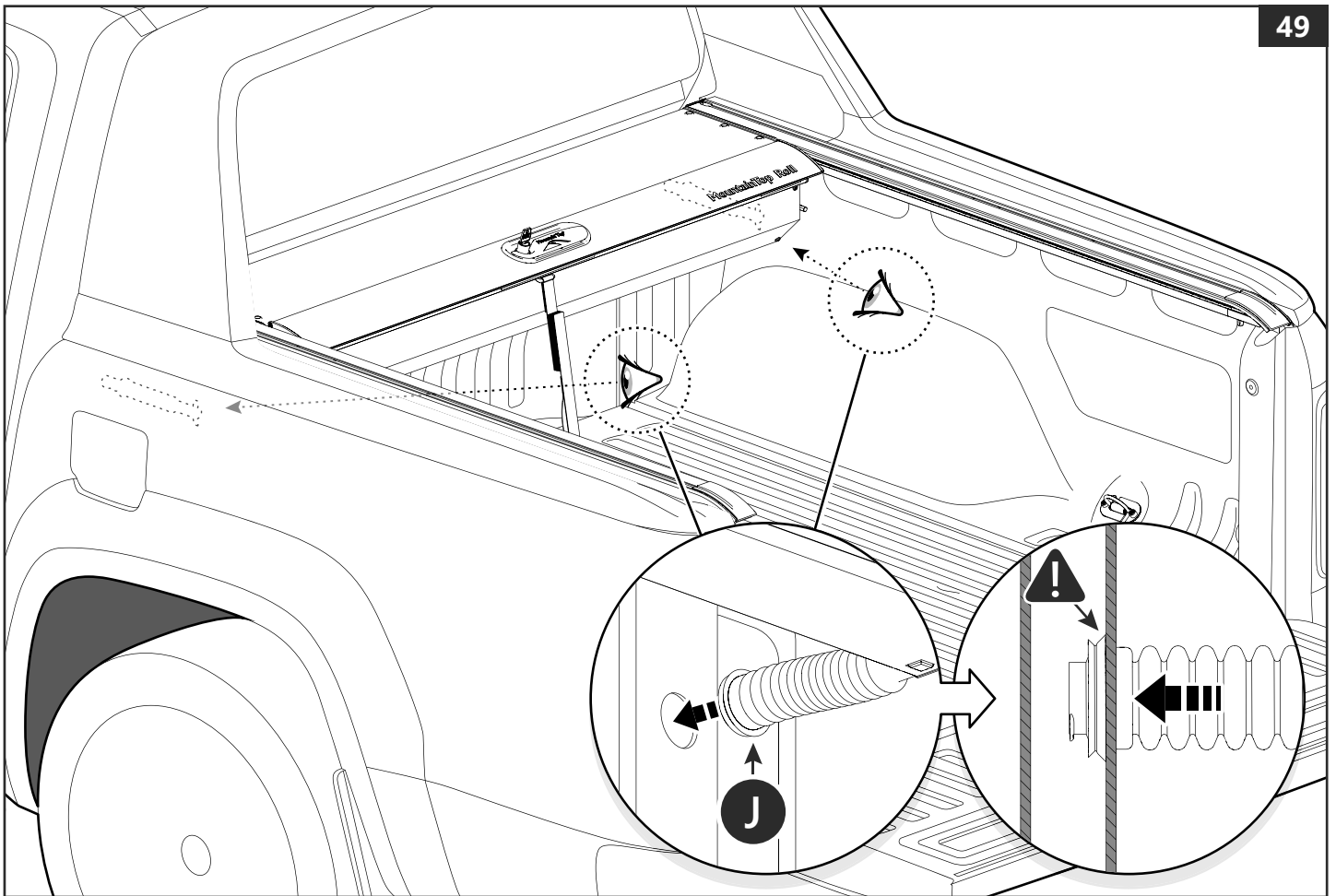
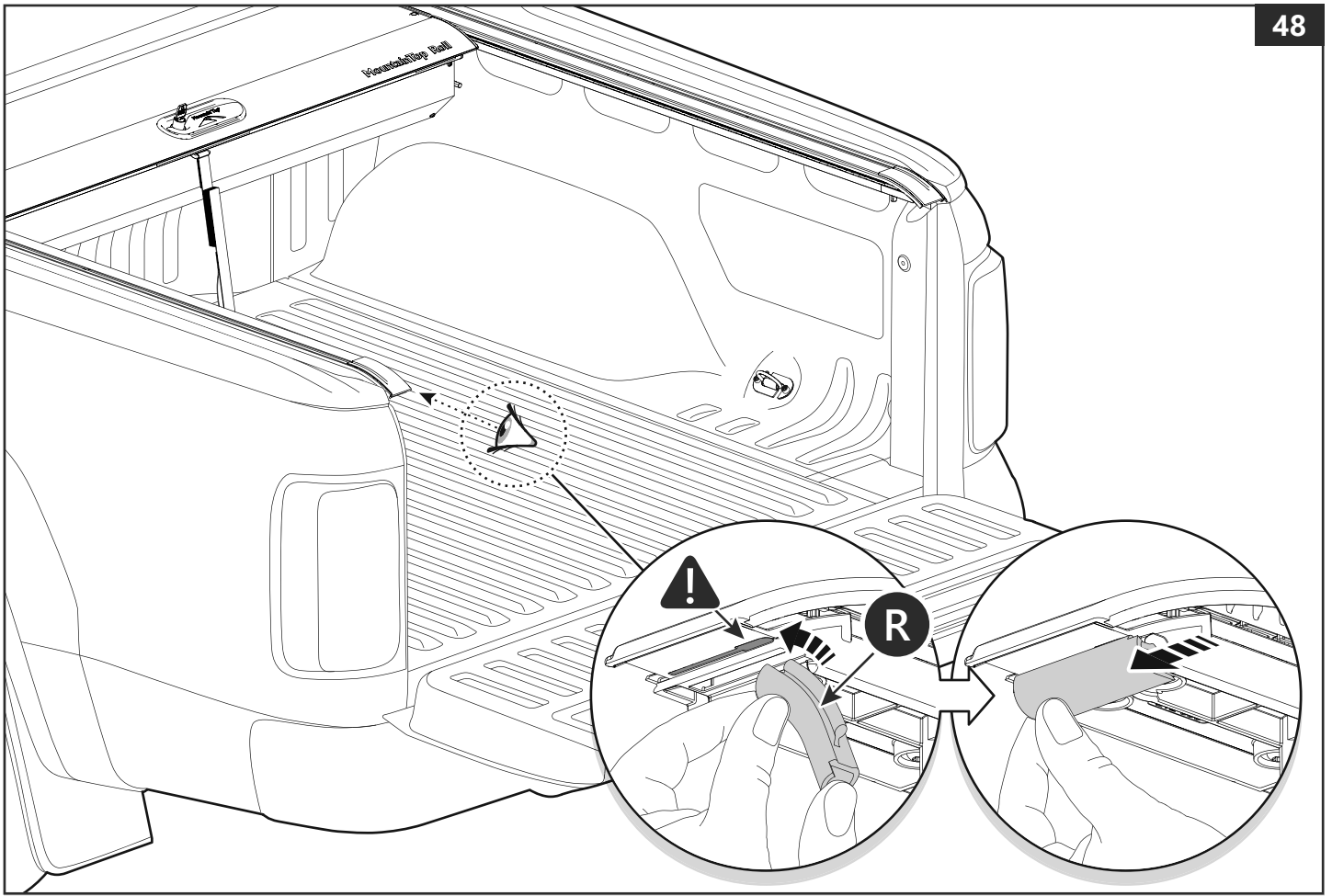


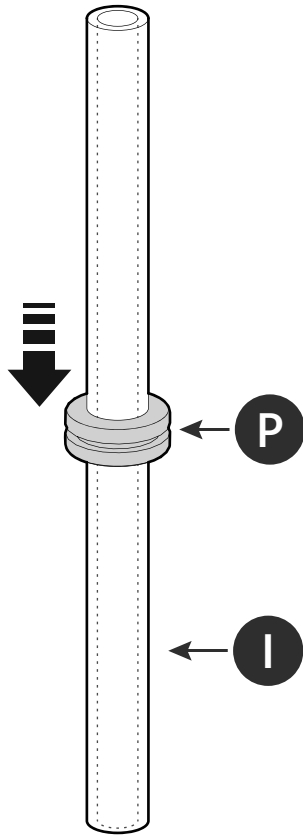




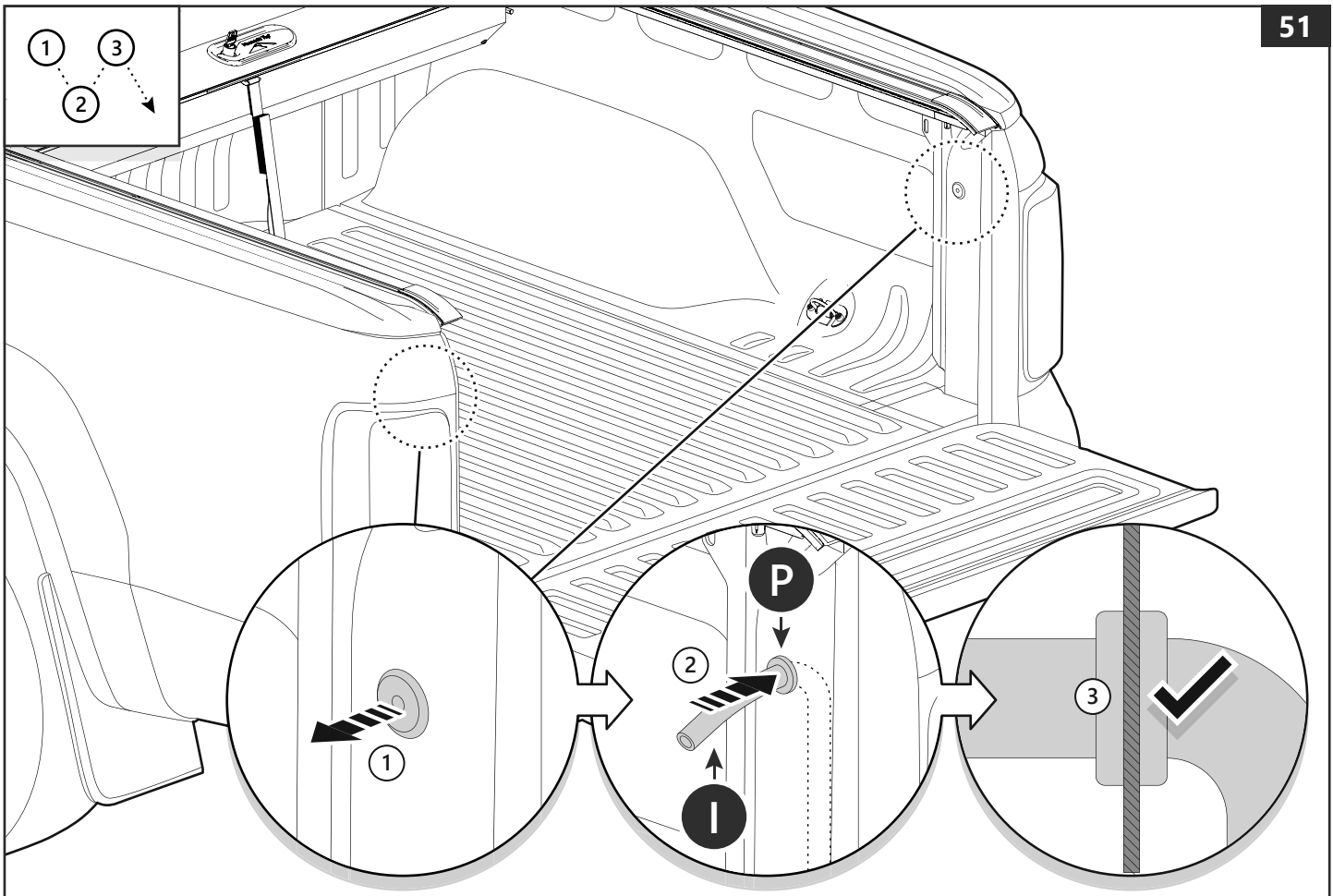


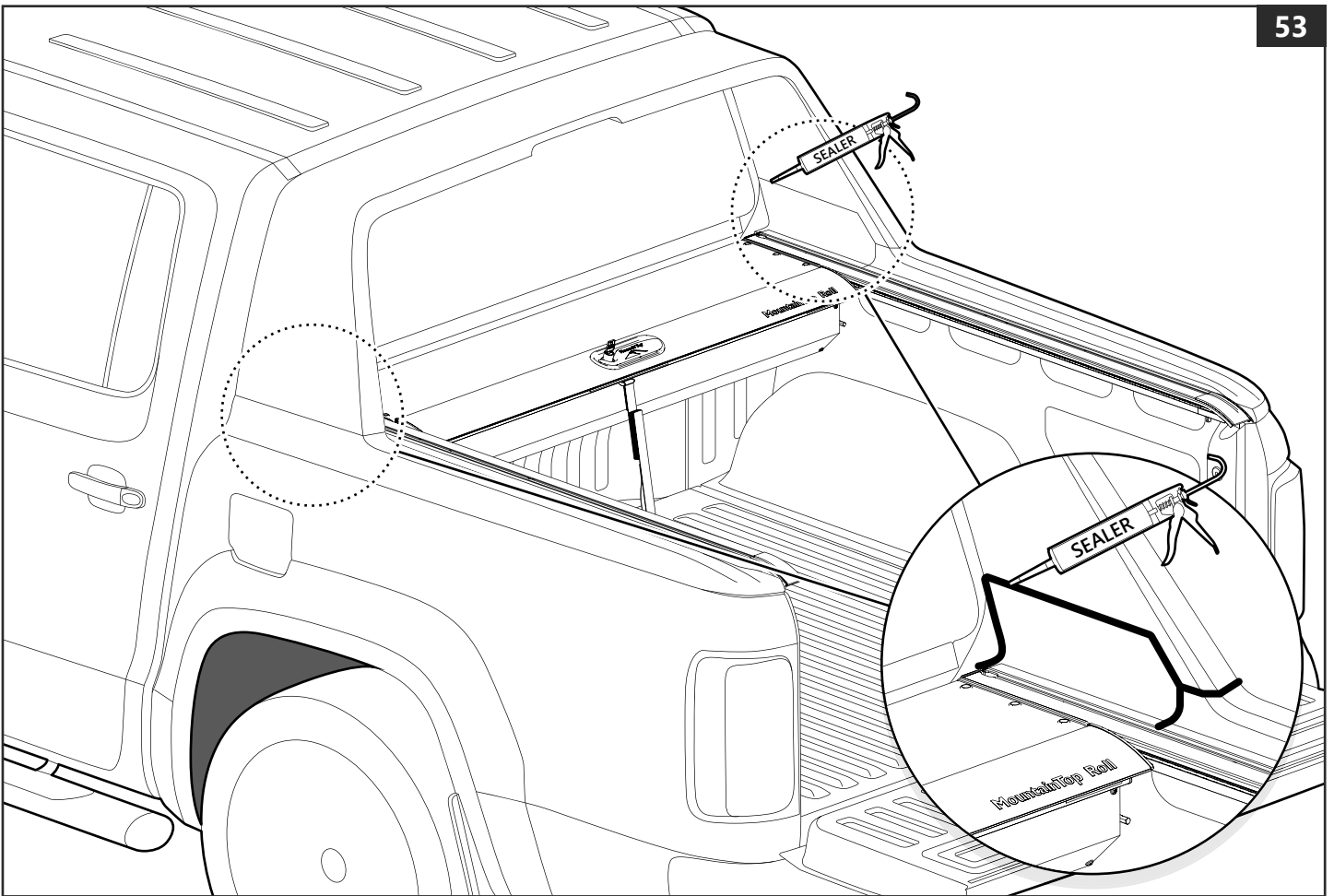
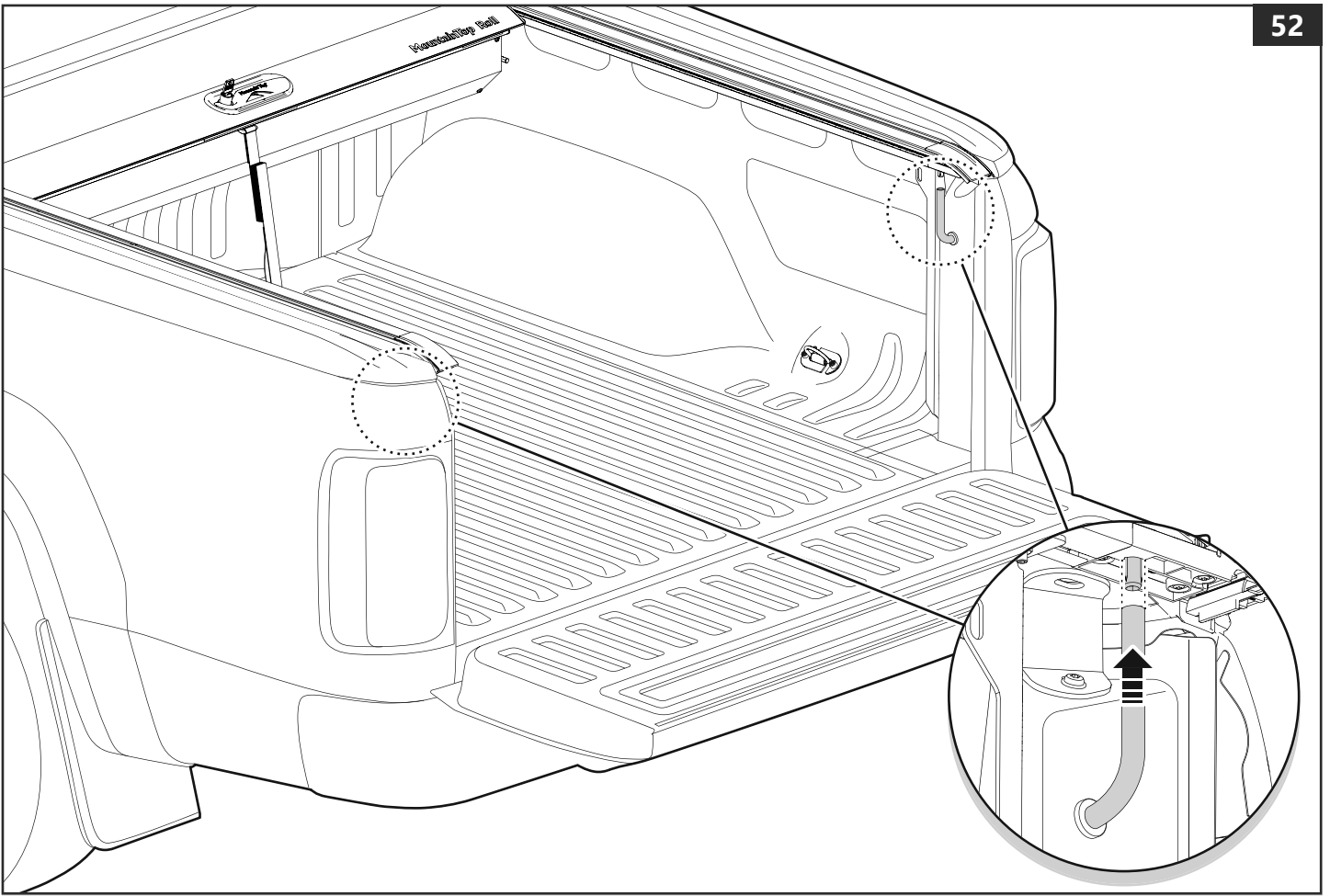


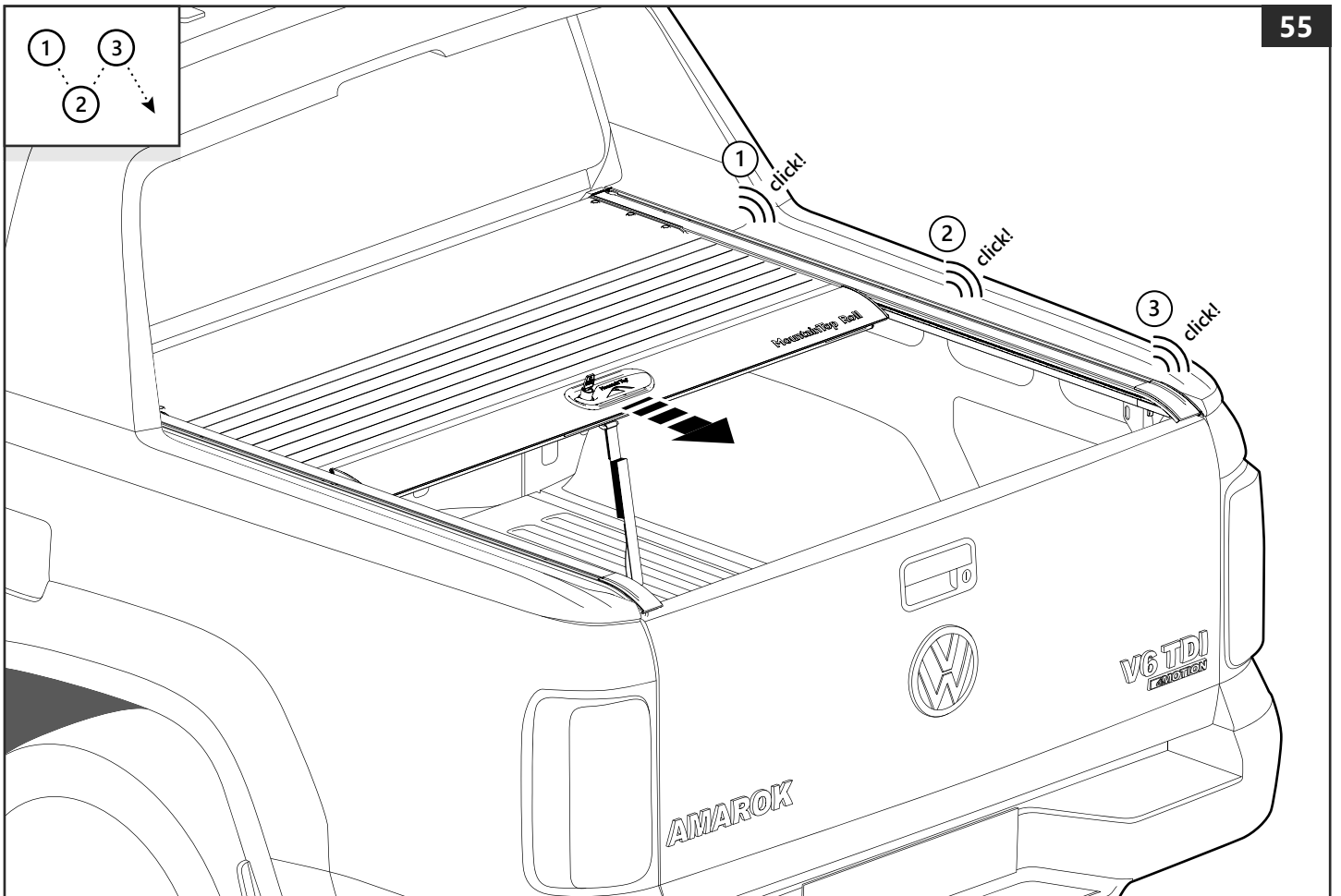
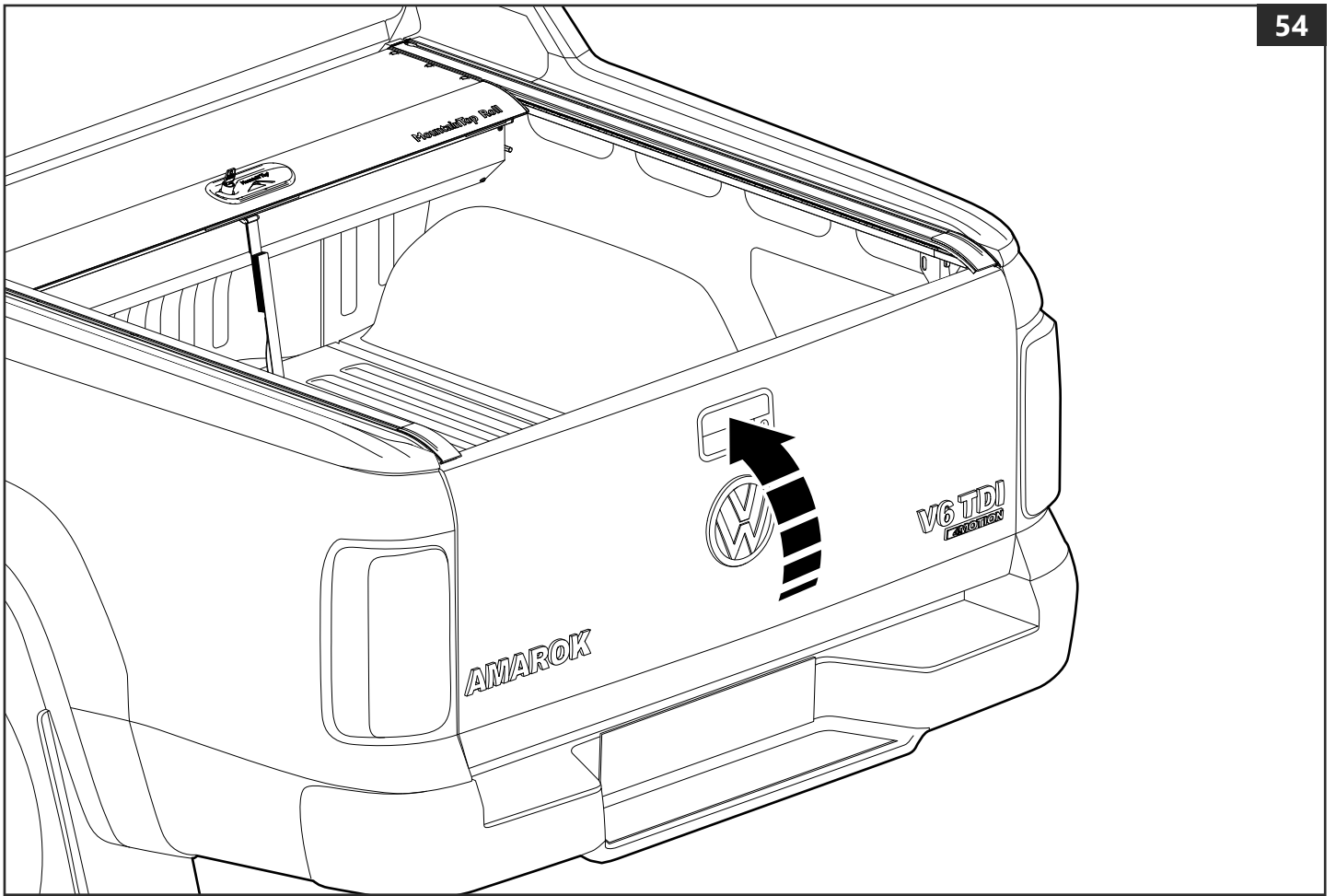




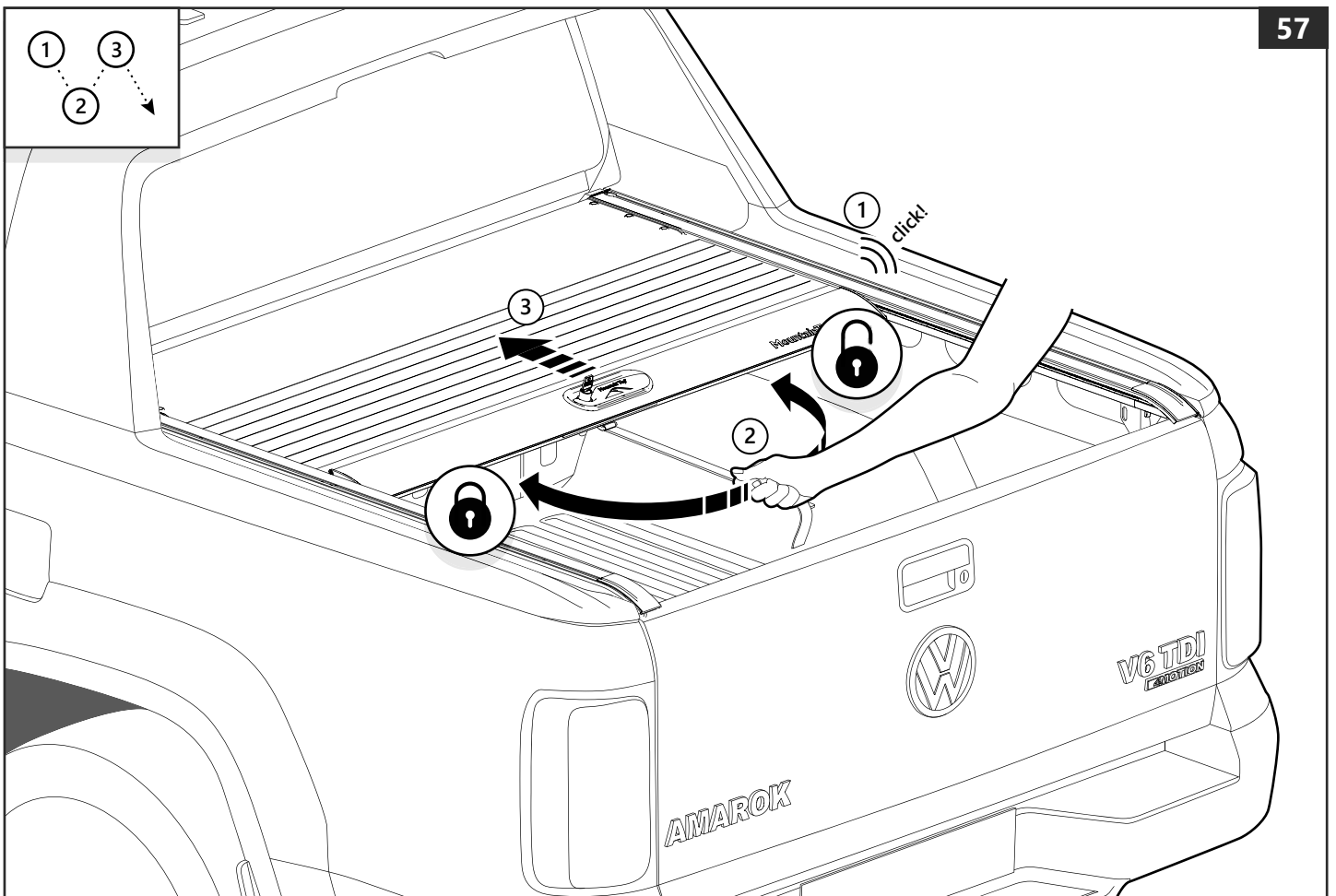
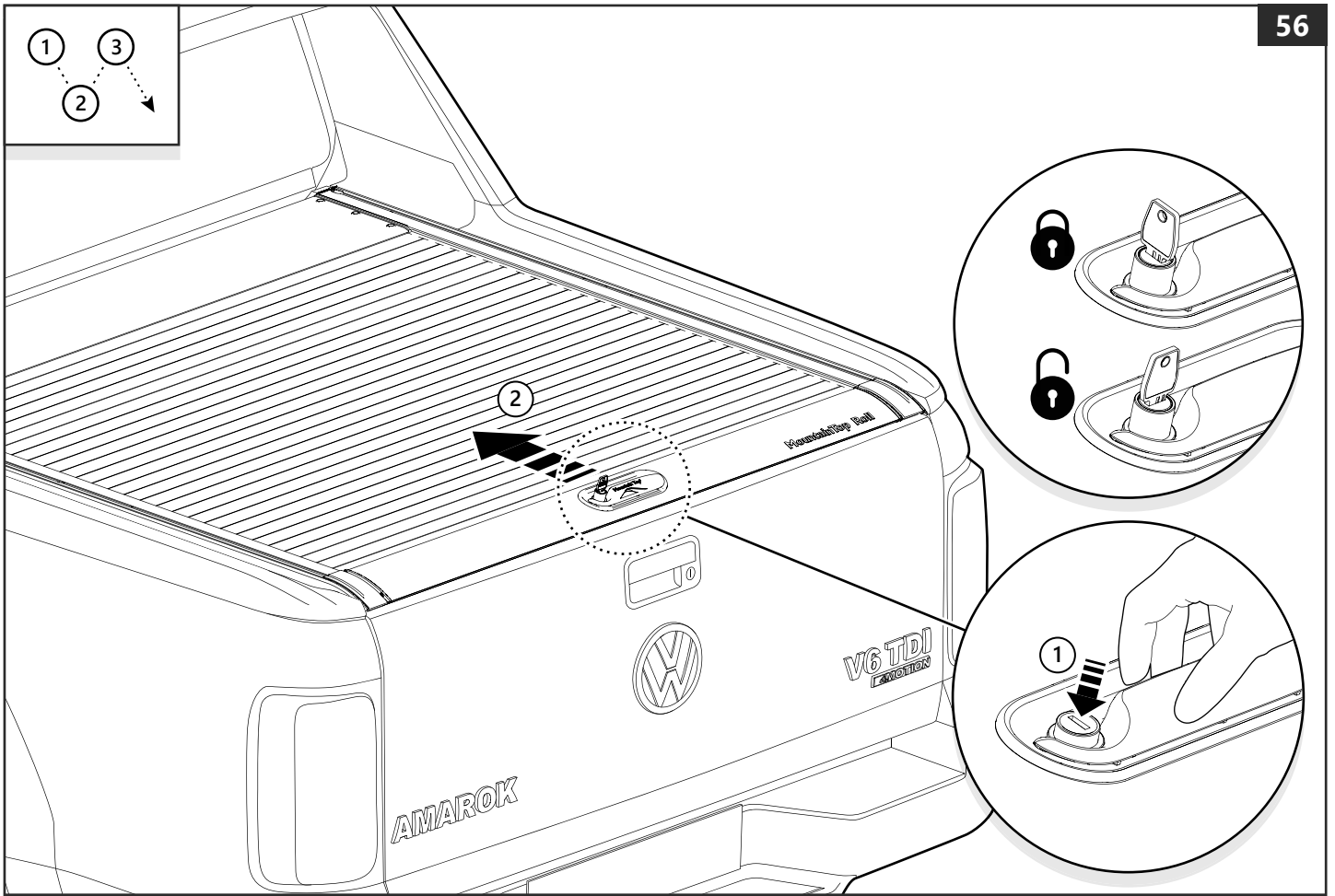
x 2

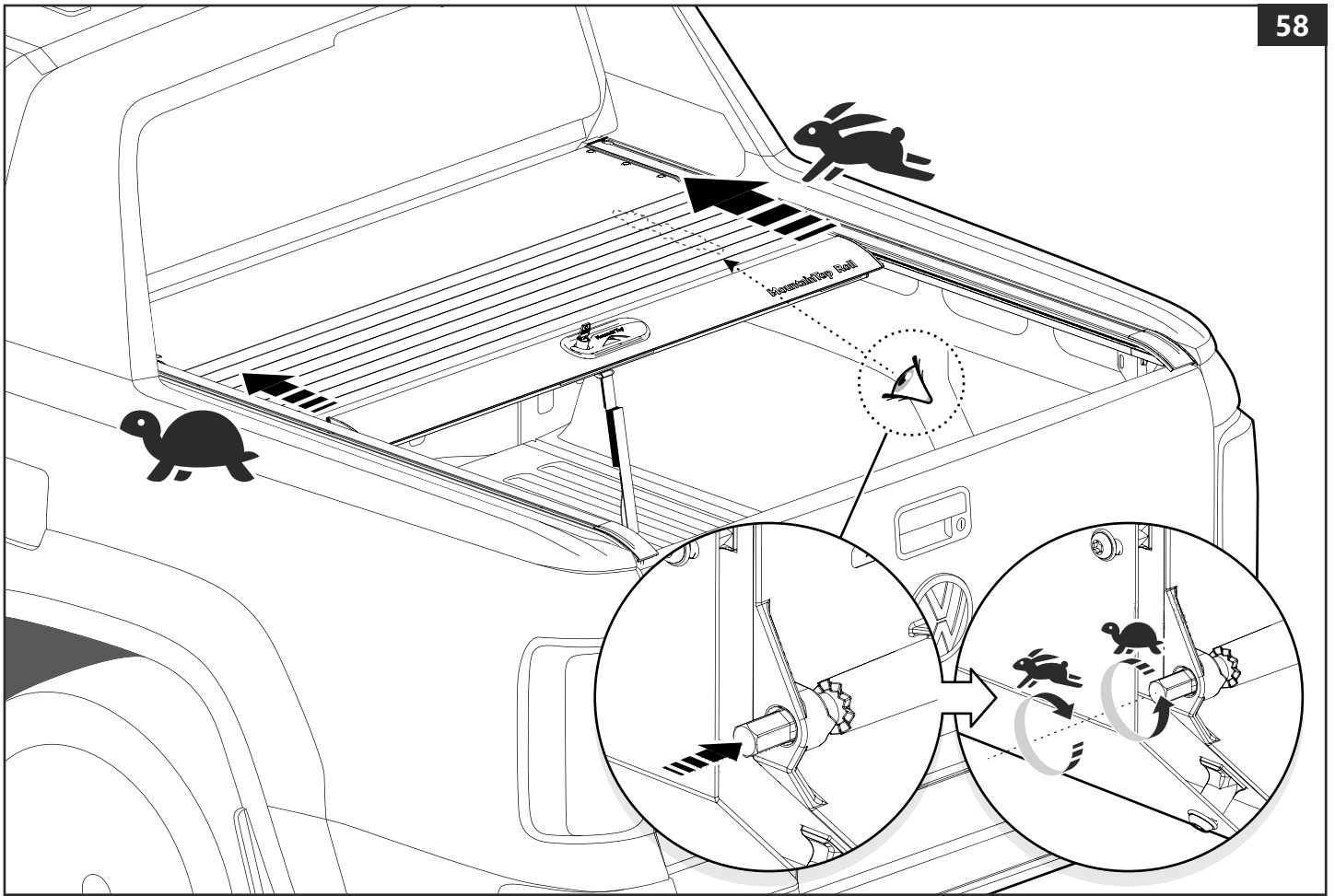
















Customer Service +45 4810 2950 (08:00 - 16:00 CET)  
Fax +45 4810 2960  
Support info@mountaintop.dk  
Website www.mountaintop.dk  
Address Pedersholmparken 10, 3600 Frederikssund, Denmark

| PART NUMBER(S) | MODEL / YEAR    | CAB TYPE(S) | INSTALLATION TIME | WEIGHT   |
|----------------|-----------------|-------------|-------------------|----------|
| MTR VW80 H02   | Amarok / 2017 → | Double      | 2 hour(s)         | 31-36 Kg |

|                                   |                                    |                                     |
|-----------------------------------|------------------------------------|-------------------------------------|
| <b>GB</b> Installation manual     | <b>S</b> Monteringsanvisning       | <b>D</b> Einbauanleitung            |
| <b>SF</b> Asennusohje             | <b>E</b> Instrucciones de montaje  | <b>CZ</b> Návod k instalaci         |
| <b>F</b> Notice de montage        | <b>H</b> Szerelési utasítás        | <b>I</b> Istruzioni de montaggio    |
| <b>PL</b> Instrukcja montażu      | <b>P</b> Instruções de instalação  | <b>GR</b> Οδηγίες Εγκατάστασης      |
| <b>NL</b> Installatie-instructies | <b>RUS</b> Инструкция по установке | <b>DK</b> Monteringsvejledning      |
| <b>TR</b> Montaj Talimatı         | <b>N</b> Monteringsveiledning      | <b>RO</b> Instructiuni de instalare |