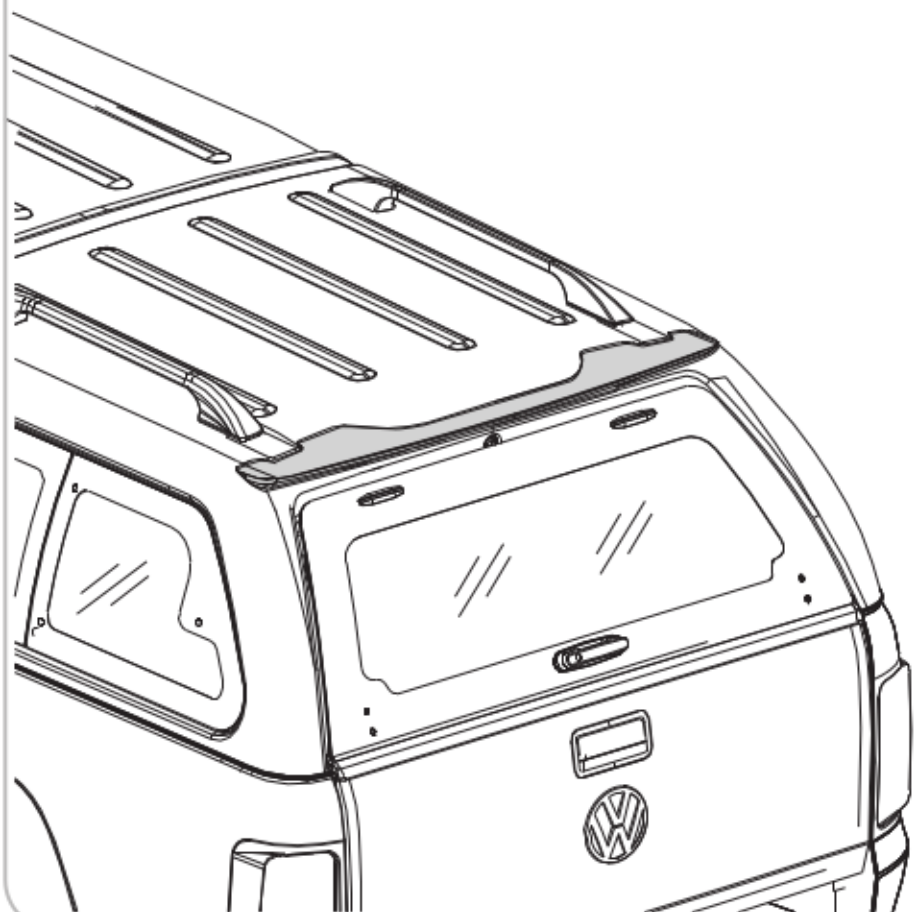


AEROKLAS

INSTALLATION MANUAL

SPOILER

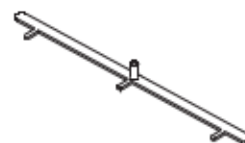
FOR AMAROK CANOPY



COMPONENT PART



Spoiler = 1 Pcs.



Drill jig = 4 Pcs.



Adhesive tape = 1 Pcs.



Screw M6 = 4 Pcs.



Spring Washer M6 = 4 Pcs.



Washer M6 = 4 Pcs.



Seal = 4 Pcs.

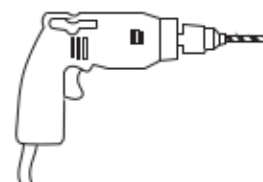


Rubber Plug = 4 Pcs.

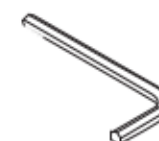


Manual = 1 Pcs.

TOOLS



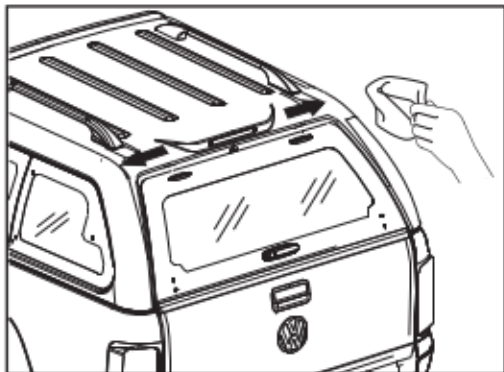
Drill \varnothing 3, 8, 16 mm.



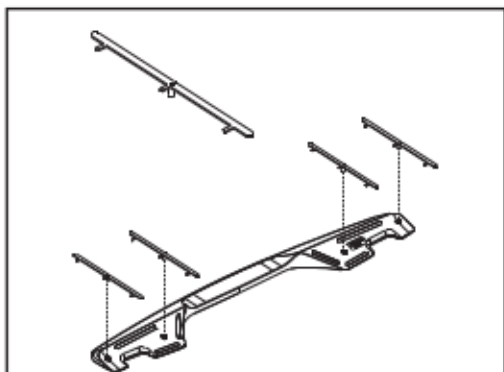
L wrench 5 mm.



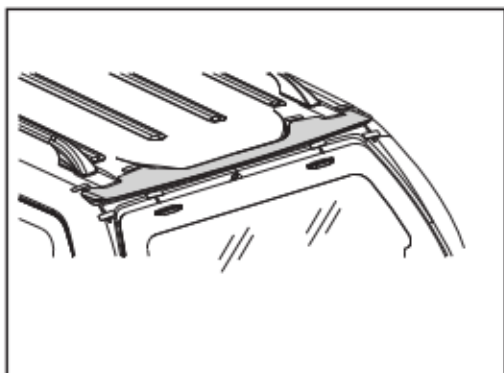
Cleaning cloth



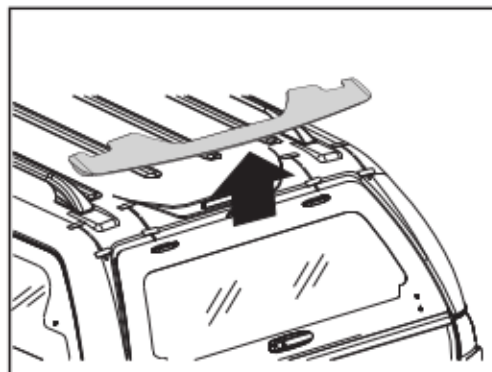
1 Clean the install area with the cloth.



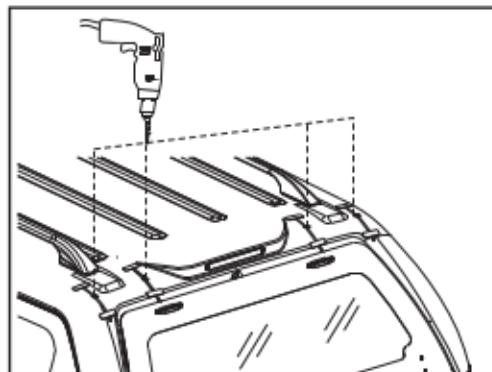
2 Put the drill-jigs into the nut.



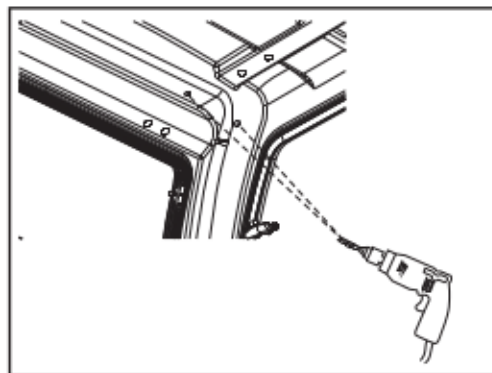
3 Place the spoiler with drill-jigs at install position and stick the drill-jigs with adhesive tape.



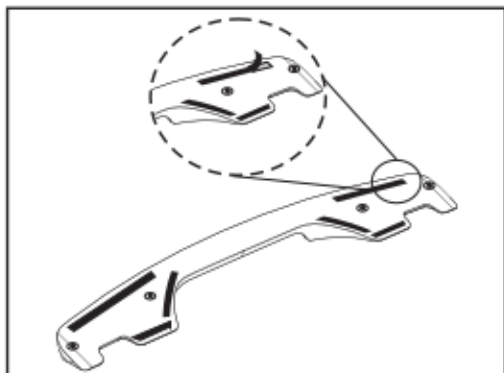
4 Take off spoiler.



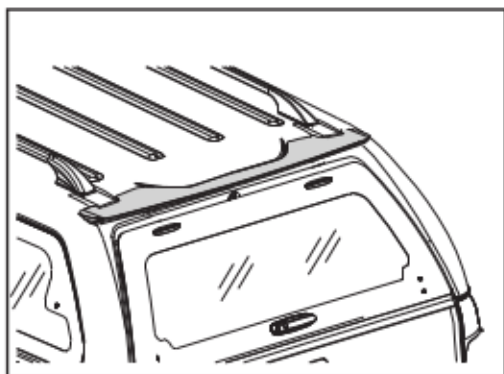
5 Drill $\varnothing 3$ mm. -diameter pilot holes into the drill-jigs (4 position). Afterward remove the drill-jigs. Drill $\varnothing 8$ mm.- diameter until through inner canopy.



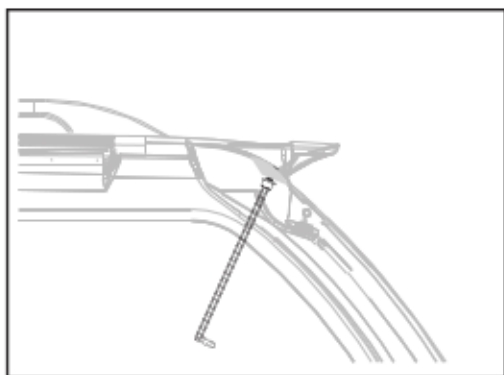
6 Drill $\varnothing 16$ mm. -diameter at inner canopy (4 position).



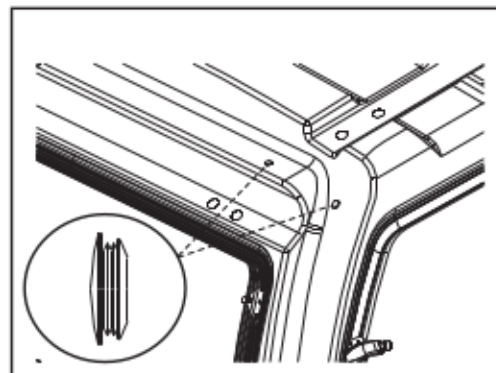
7 Remove seal on all adhesive tape.



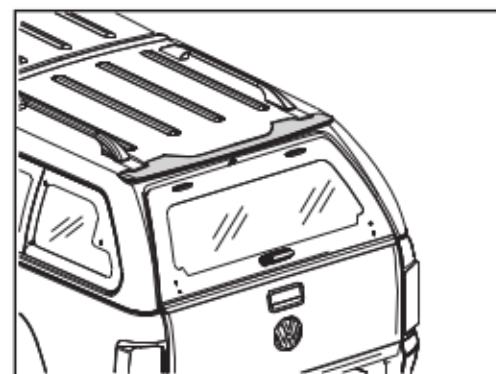
8 Put the drill-jigs into the nuts hole.



9 Inside canopy : Tighten screw set to the nut of spoiler, (4 position).



10 Put rubber-plug in the hole.



11 Install completely.