

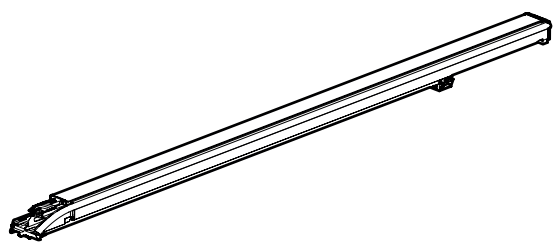
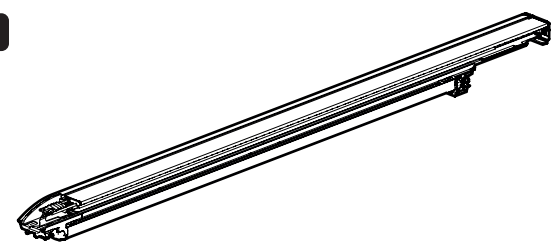
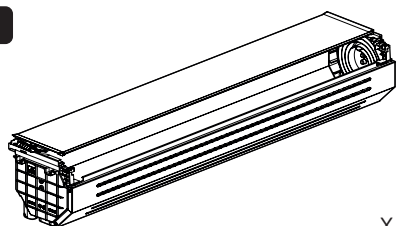
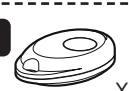
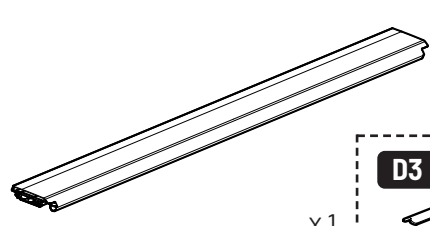

# MOUNTAIN TOP<sup>®</sup> EVOe ROLL COVER

Installation manual

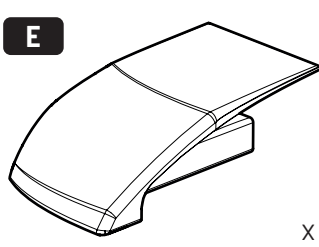
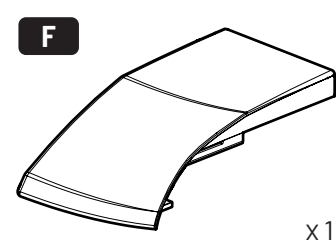
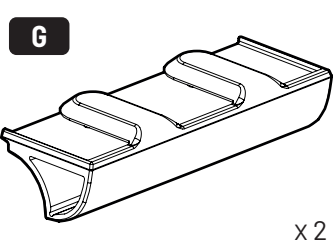
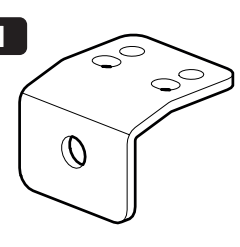
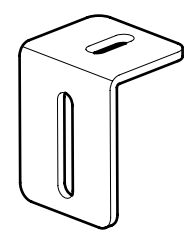
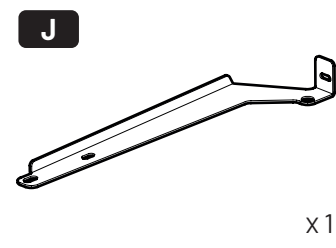
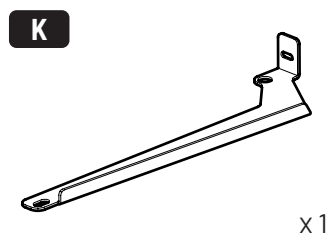
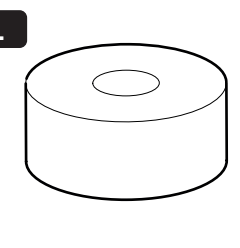
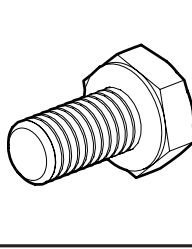
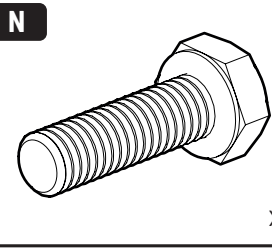
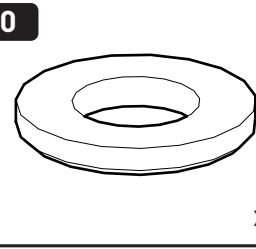
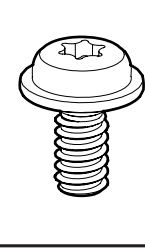
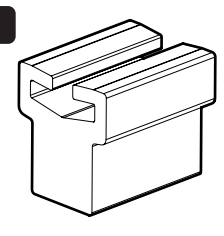
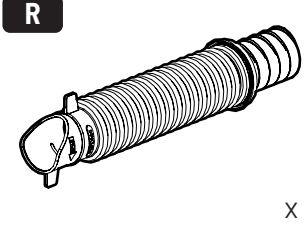
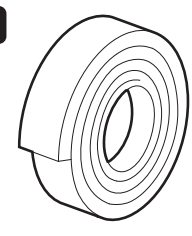
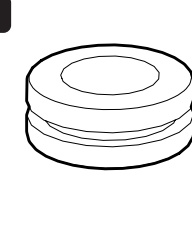


DOWNLOAD PDF

Parts

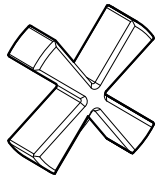
<p><b>A</b></p>  <p>x1</p>	<p><b>B</b></p>  <p>x1</p>
<p><b>C</b></p>  <p>x1</p> <div style="border: 1px dashed black; padding: 2px; display: inline-block;"> <p><b>C3</b></p>  <p>x2</p> </div>	<p><b>D</b></p>  <p>x1</p> <div style="border: 1px dashed black; padding: 2px; display: inline-block;"> <p><b>D3</b></p>  <p>x1</p> </div>

Kit

<p><b>E</b></p>  <p>x1</p>	<p><b>F</b></p>  <p>x1</p>	<p><b>G</b></p>  <p>x2</p>	<p><b>H</b></p>  <p>x4</p>
<p><b>I</b></p>  <p>x4</p>	<p><b>J</b></p>  <p>x1</p>	<p><b>K</b></p>  <p>x1</p>	<p><b>L</b></p>  <p>x2</p>
<p><b>M</b></p>  <p>x8</p>	<p><b>N</b></p>  <p>x2</p>	<p><b>O</b></p>  <p>x10</p>	<p><b>P</b></p>  <p>x5</p>
<p><b>Q</b></p>  <p>x1</p>	<p><b>R</b></p>  <p>x2</p>	<p><b>S</b></p>  <p>x1</p>	<p><b>T</b></p>  <p>x1</p>

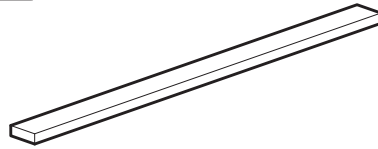
Kit

**U**



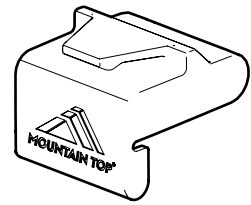
x2

**V**



x4

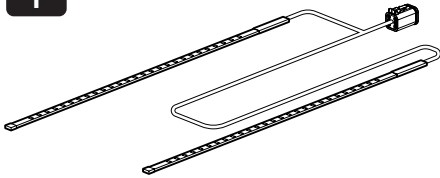
**X**



x2

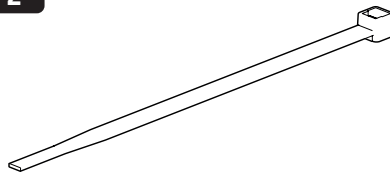
Kit

**Y**



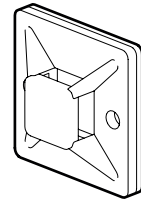
x1

**Z**



x6

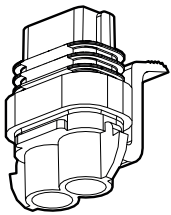
**A2**



x6

Power supply kit

**B2**



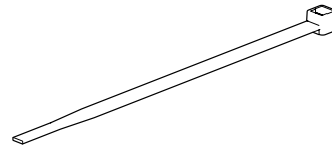
x1

**C2**



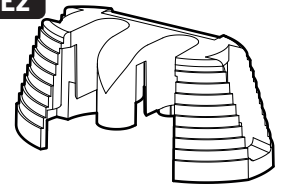
x1

**D2**



x10

**E2**



x1

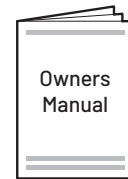
Kit



x1

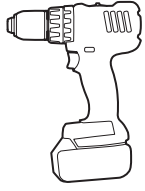
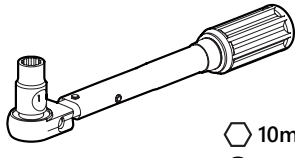

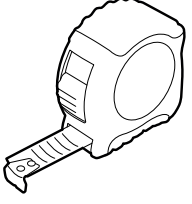
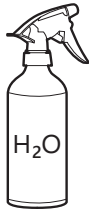
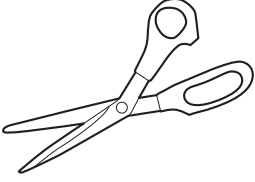
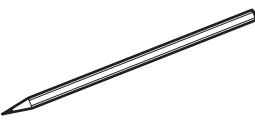



x1

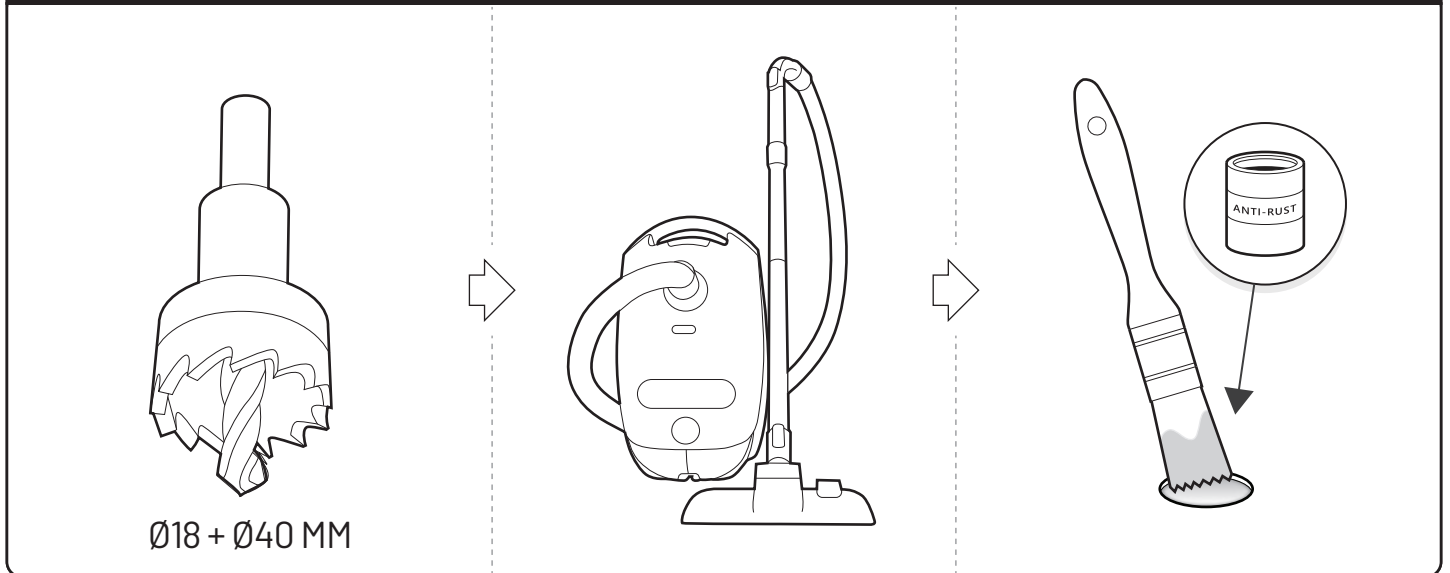


x1

## Tools needed

 <p>Ø3.5MM Ø40MM</p>	<p>1 - 25 Nm</p>  <p>10mm T15</p>	 <p>Rust protection Rostschutzmittel Anti-rouille Anti roest</p>		
				

## Applying rust protection

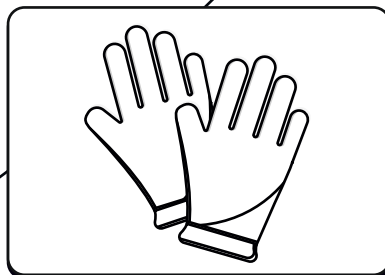
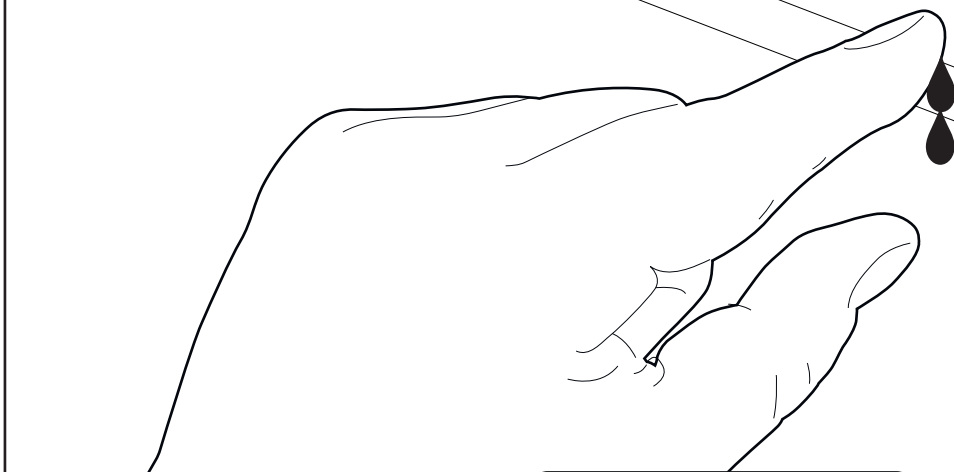




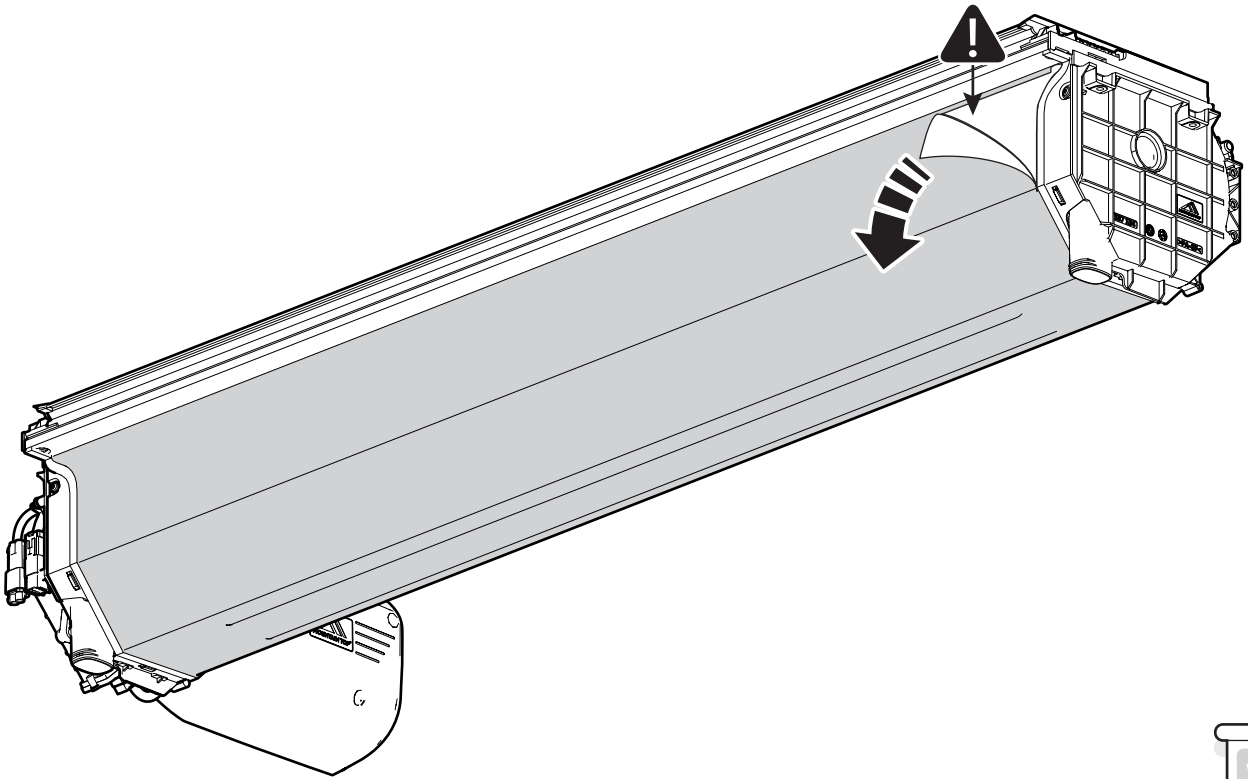
Sharp edge



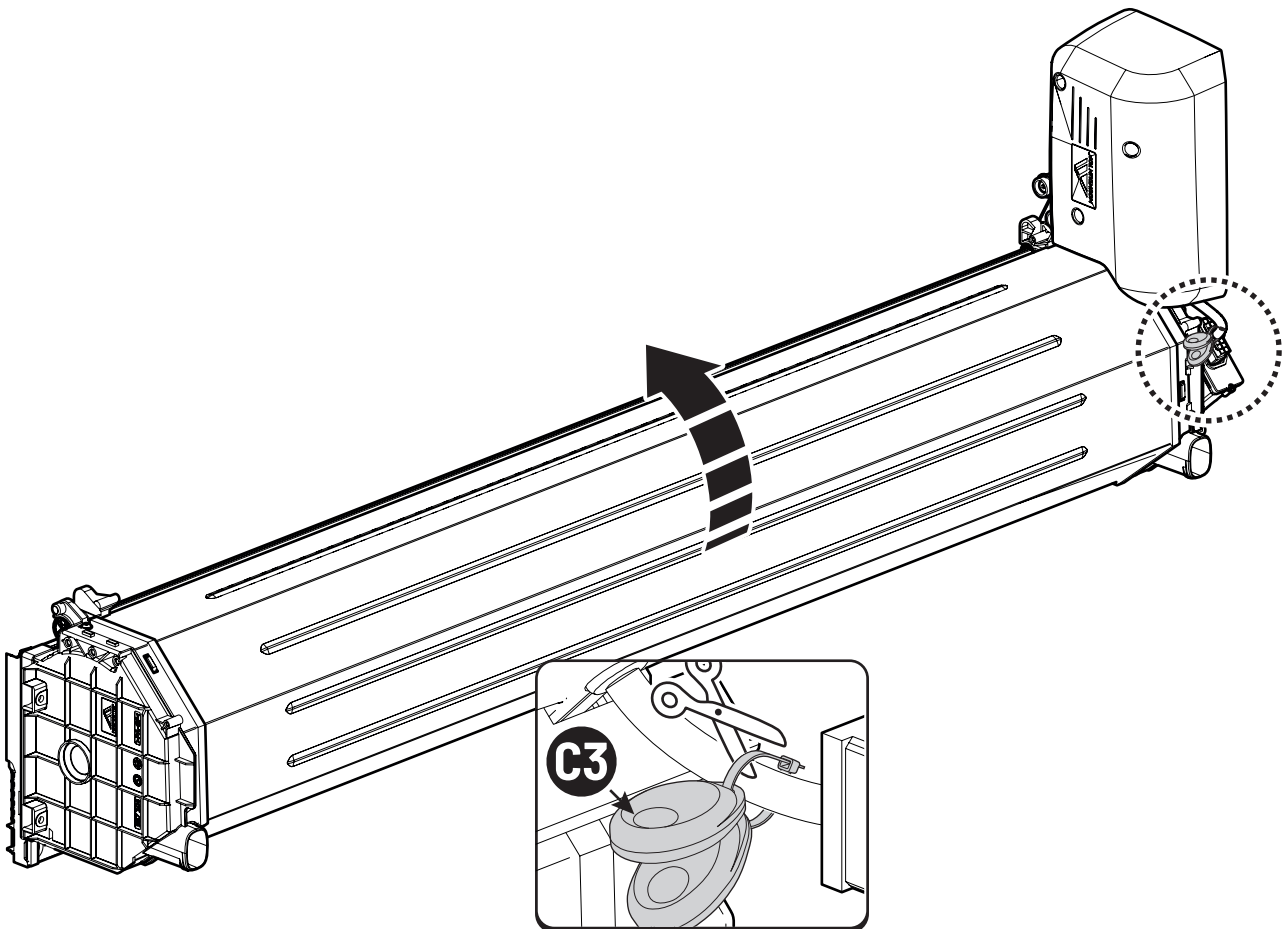
1

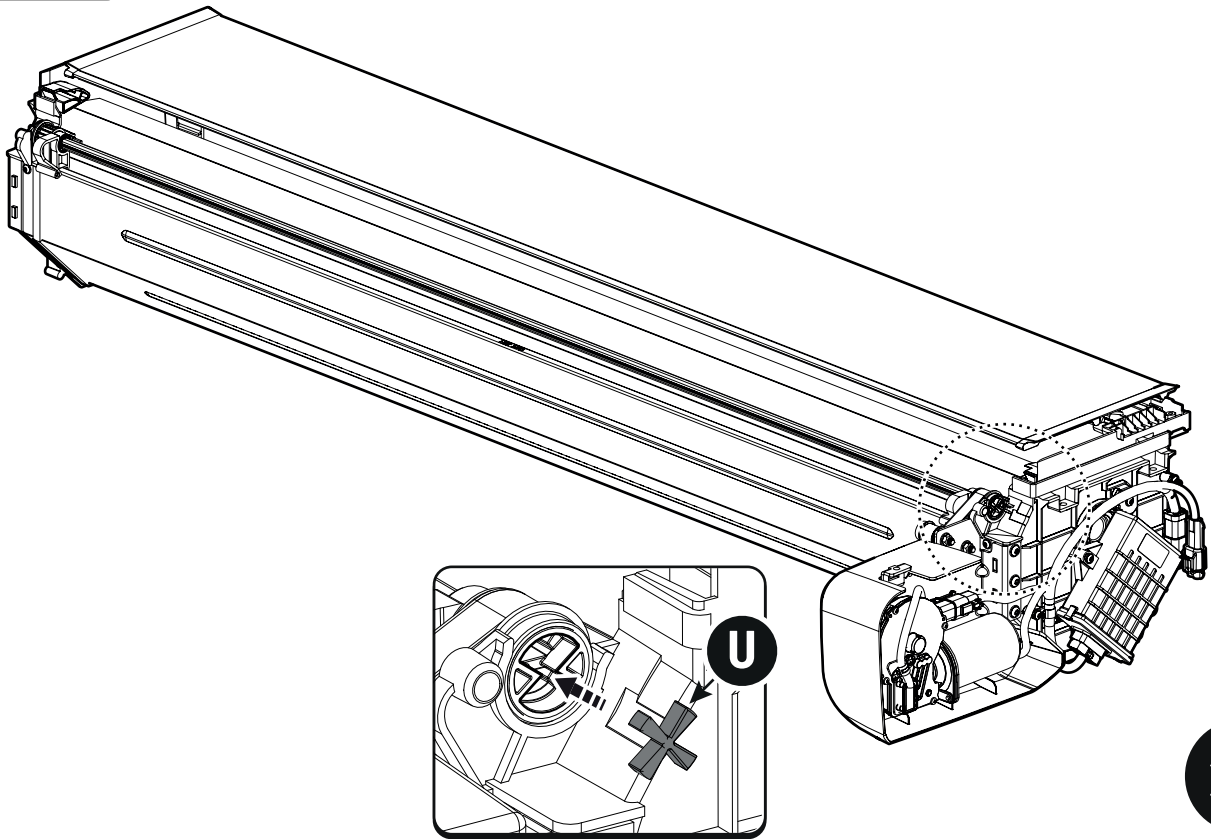


2

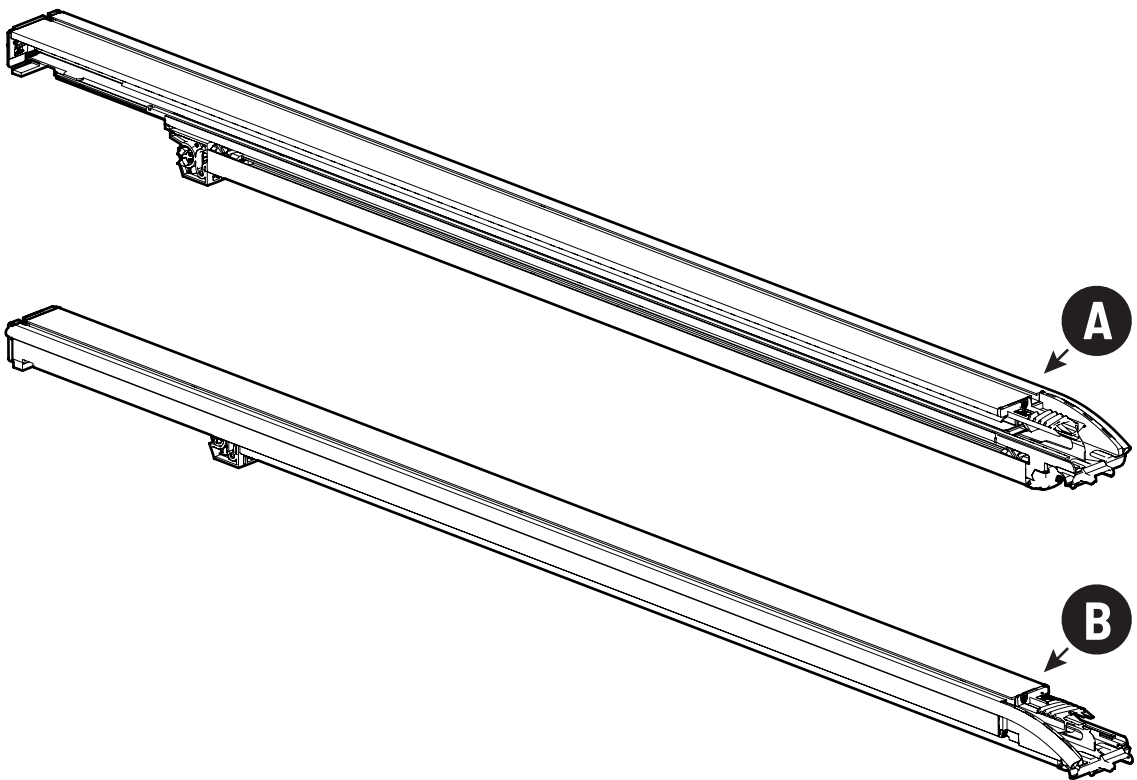


3



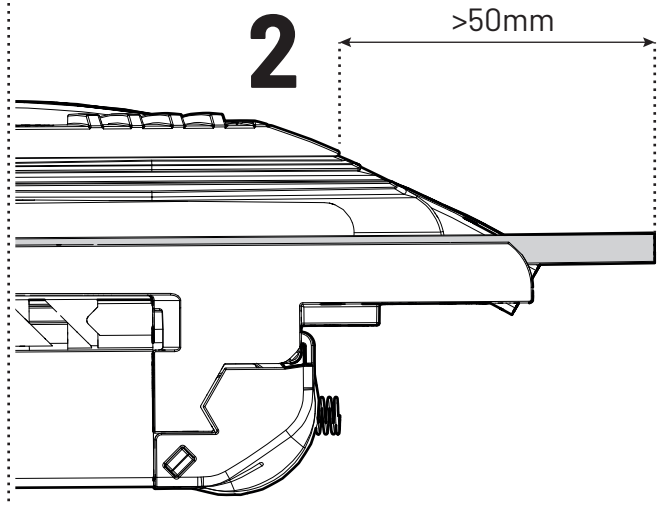
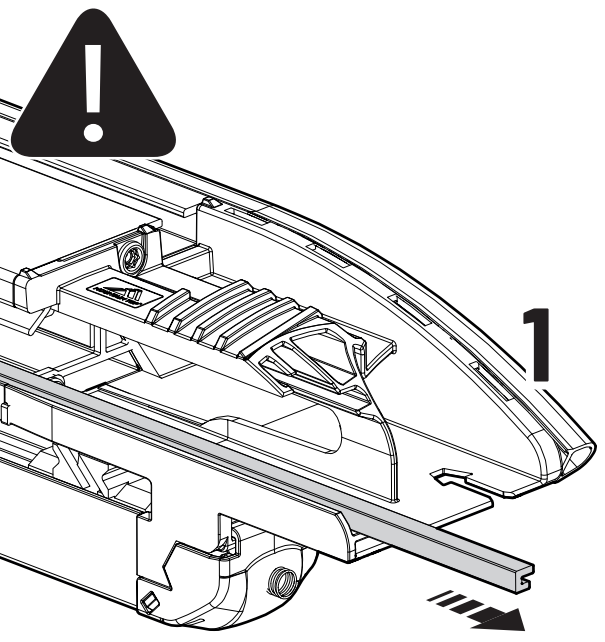
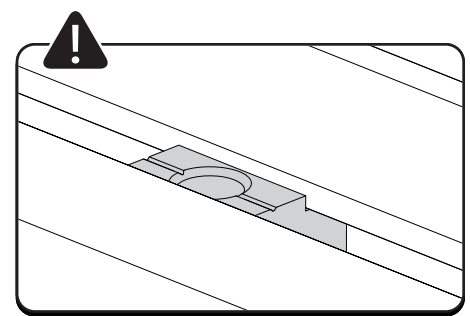
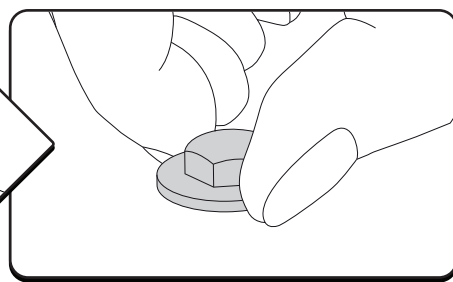
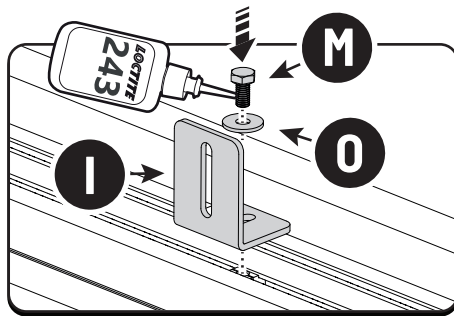
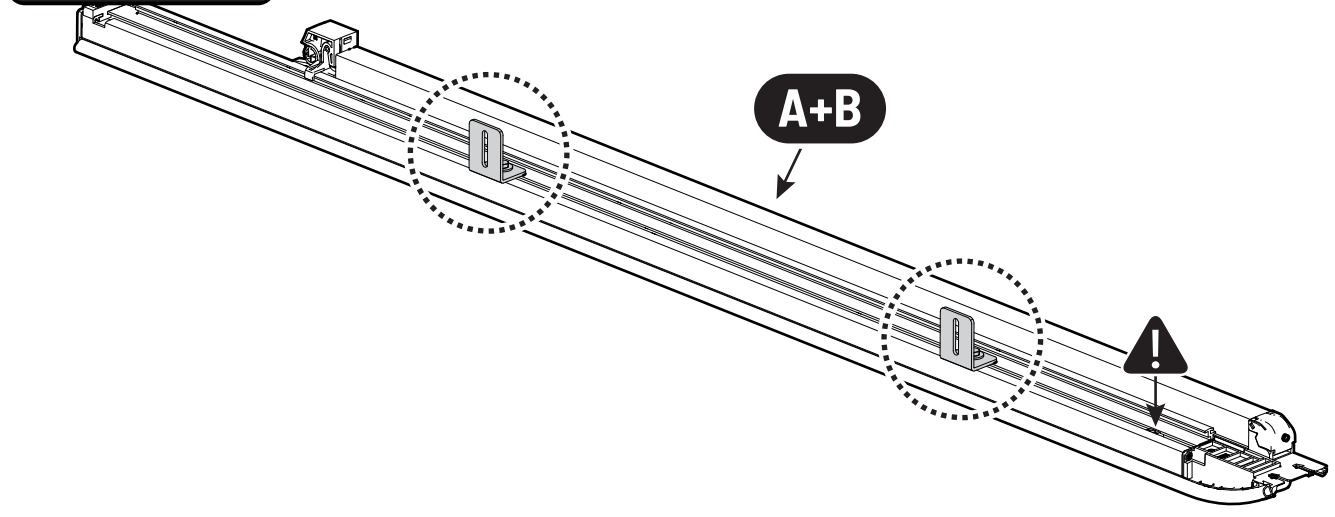


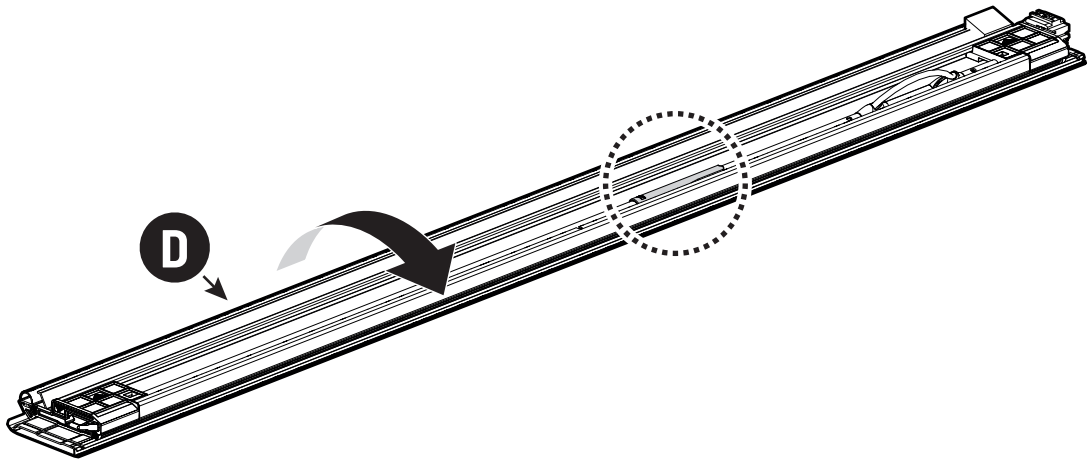
x2



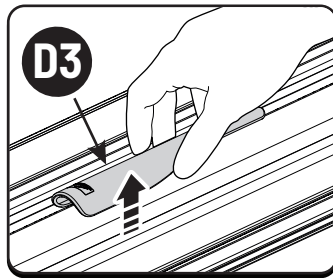
LOCTITE 243

A+B

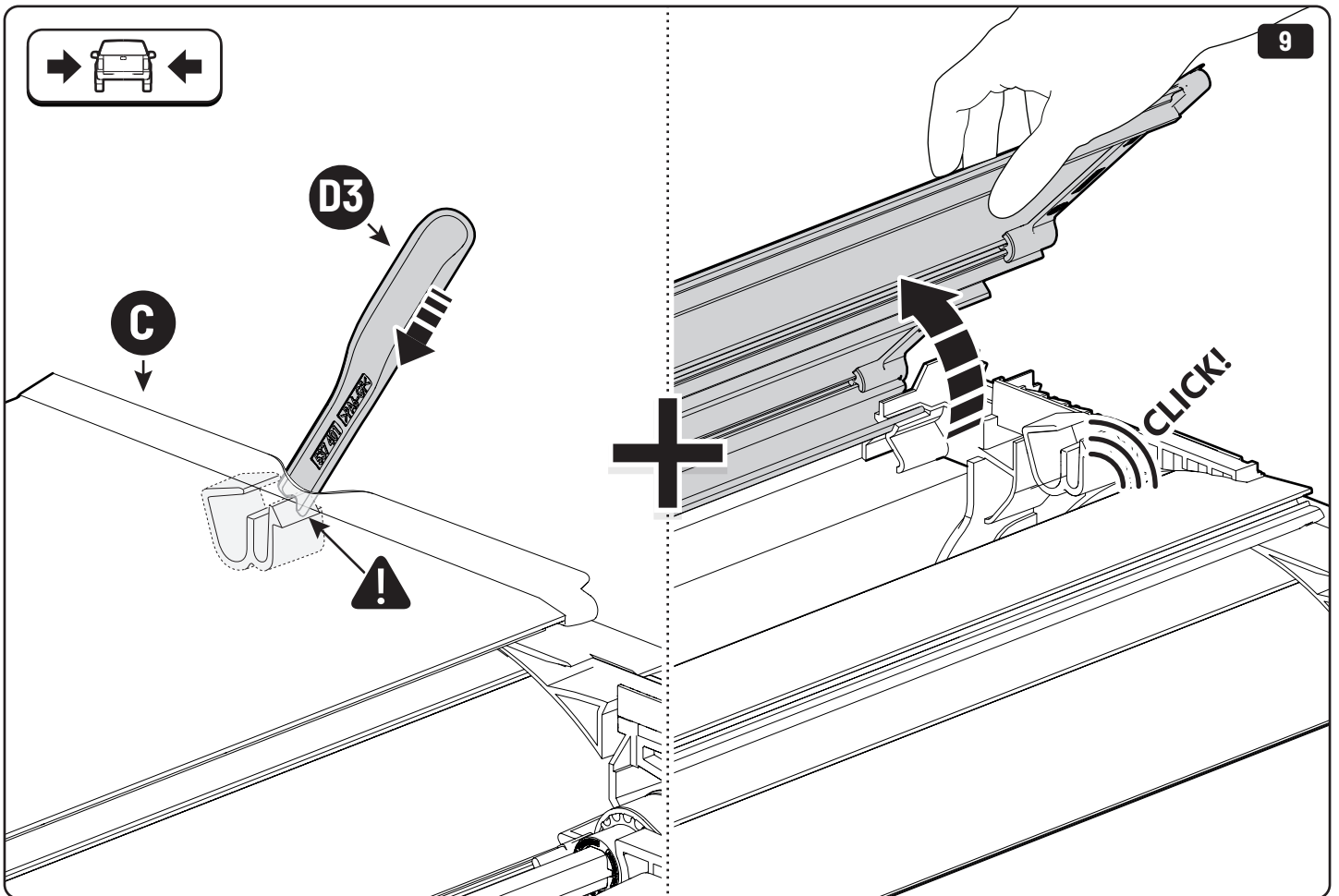
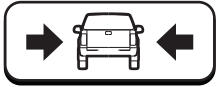




D



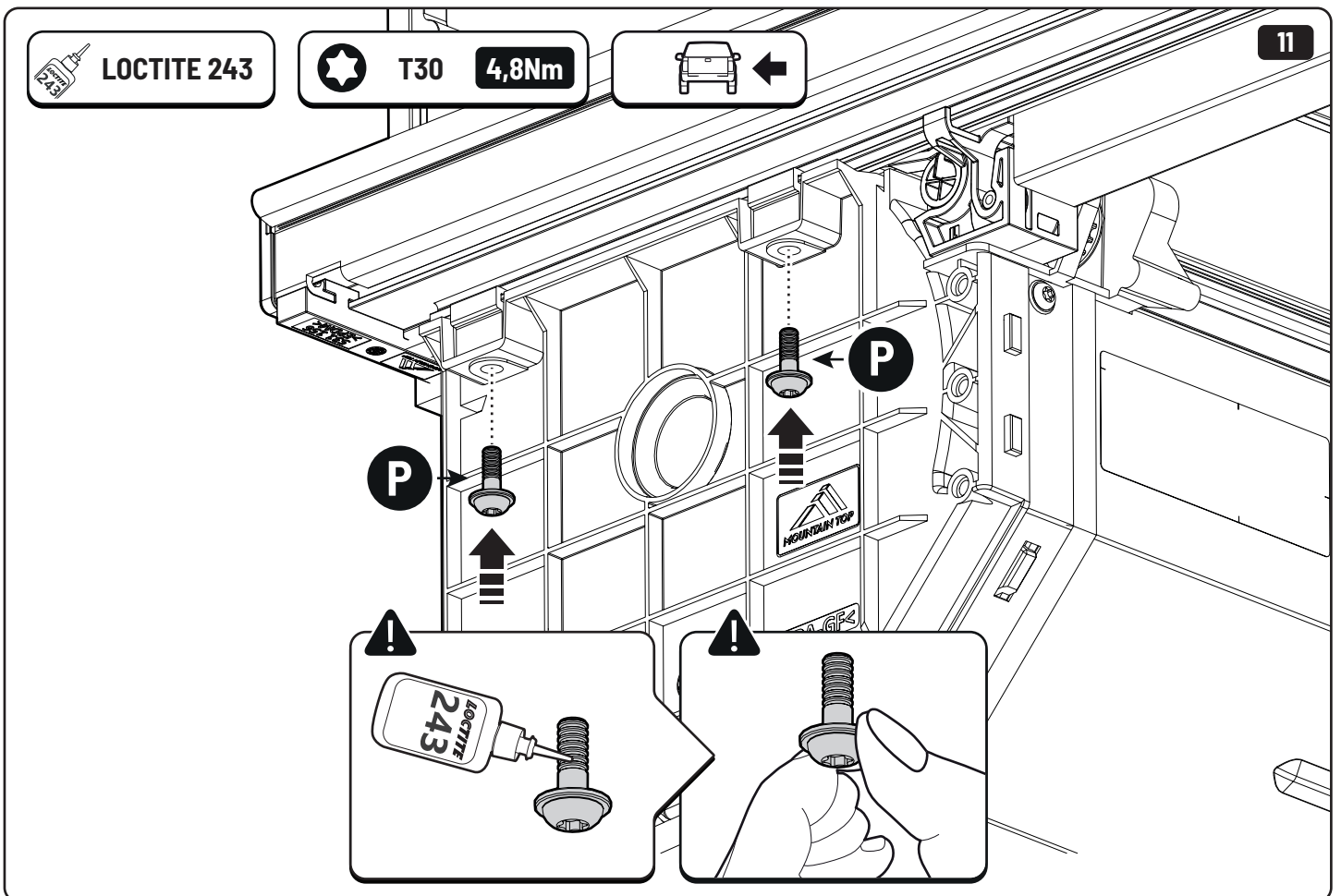
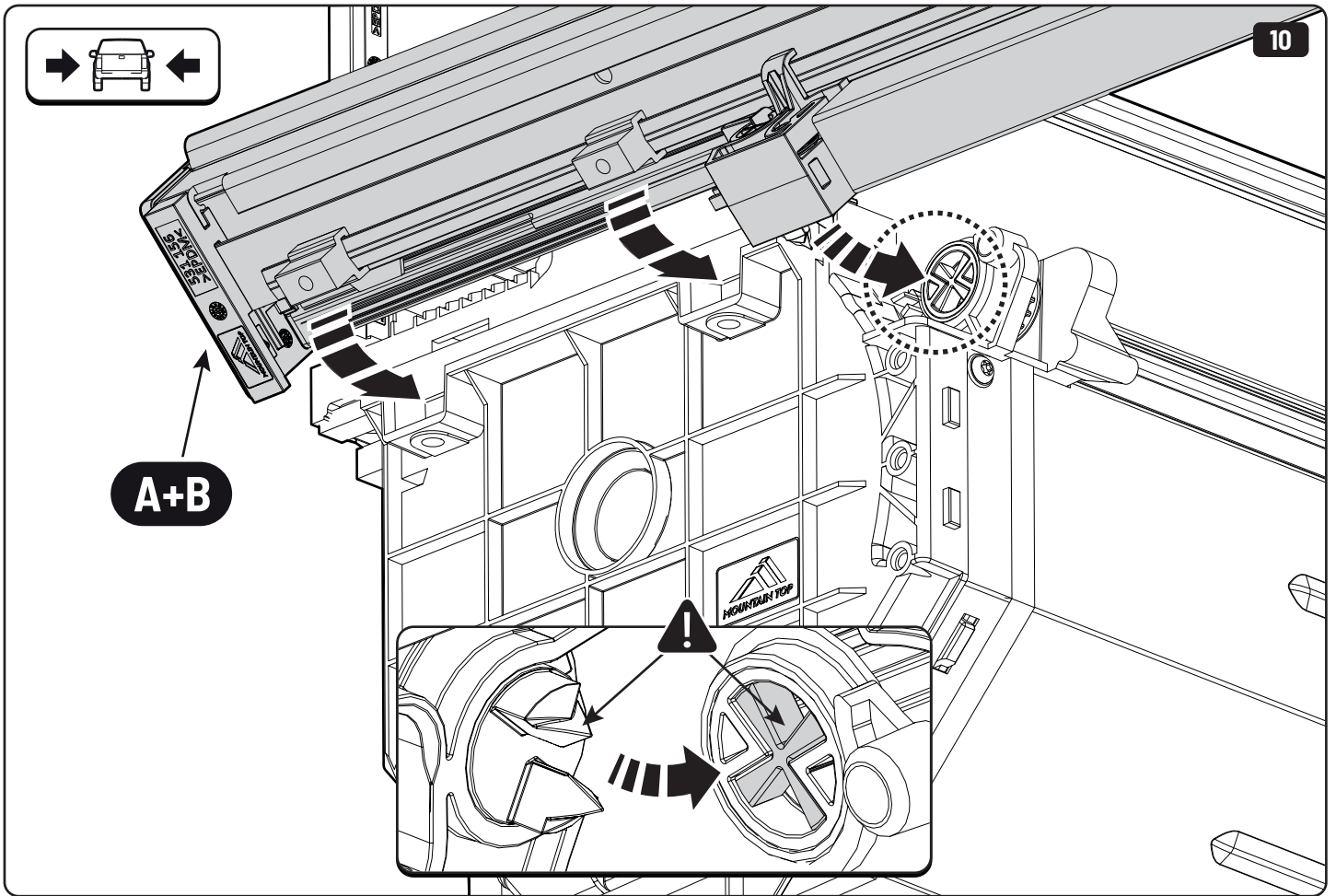
D3



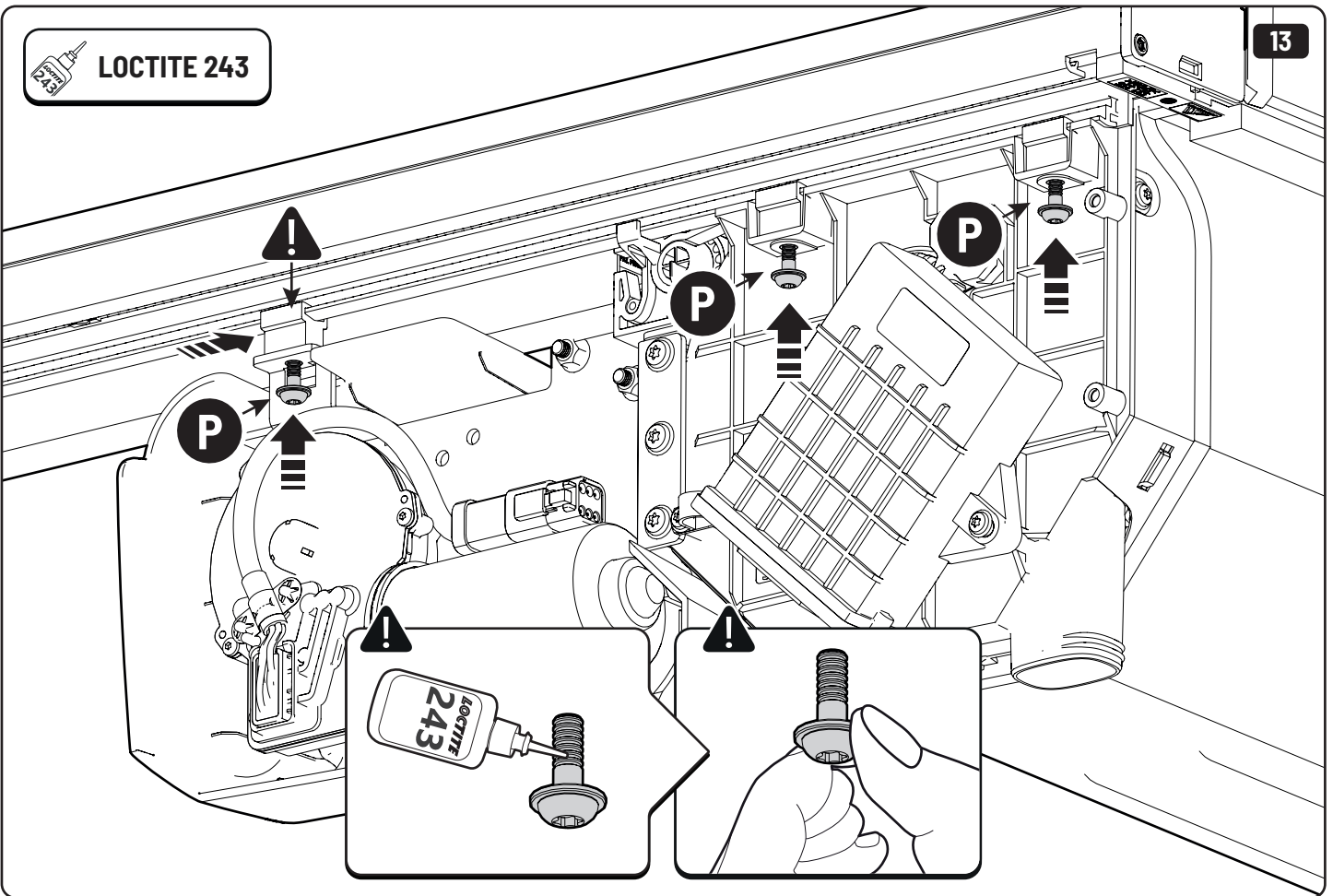
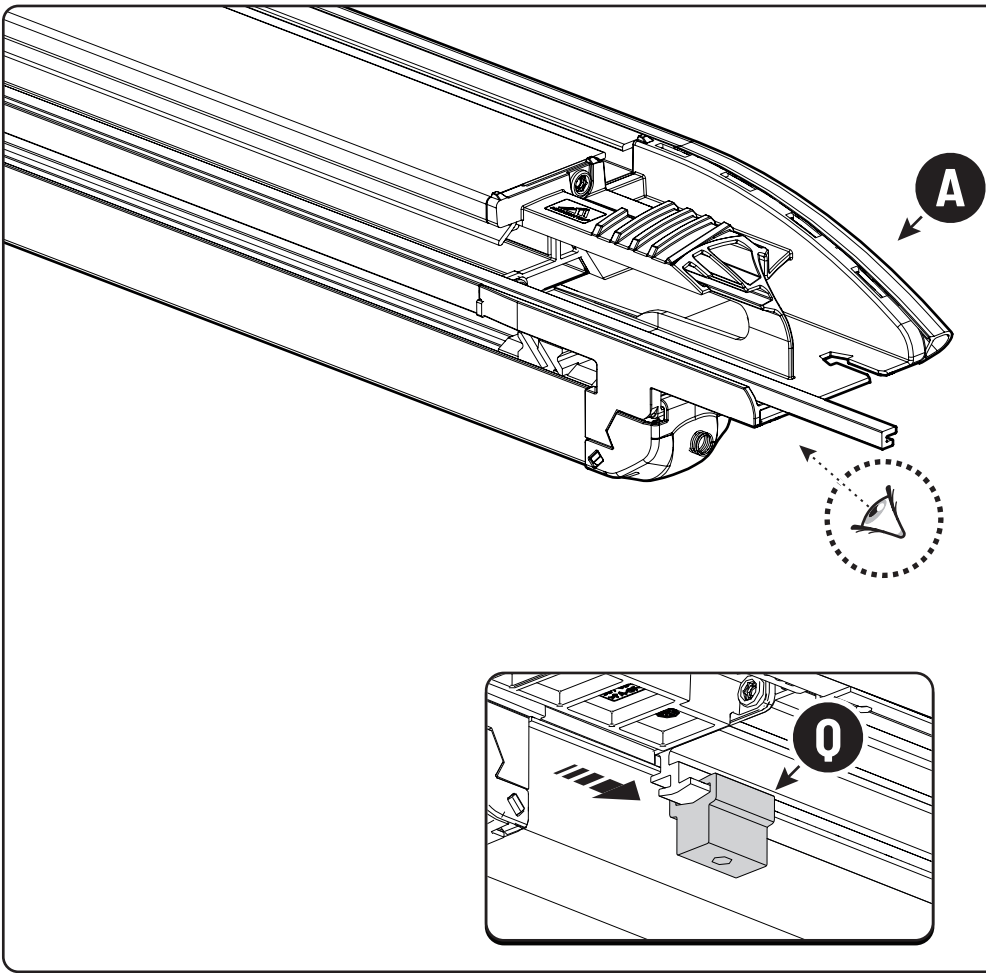
D3

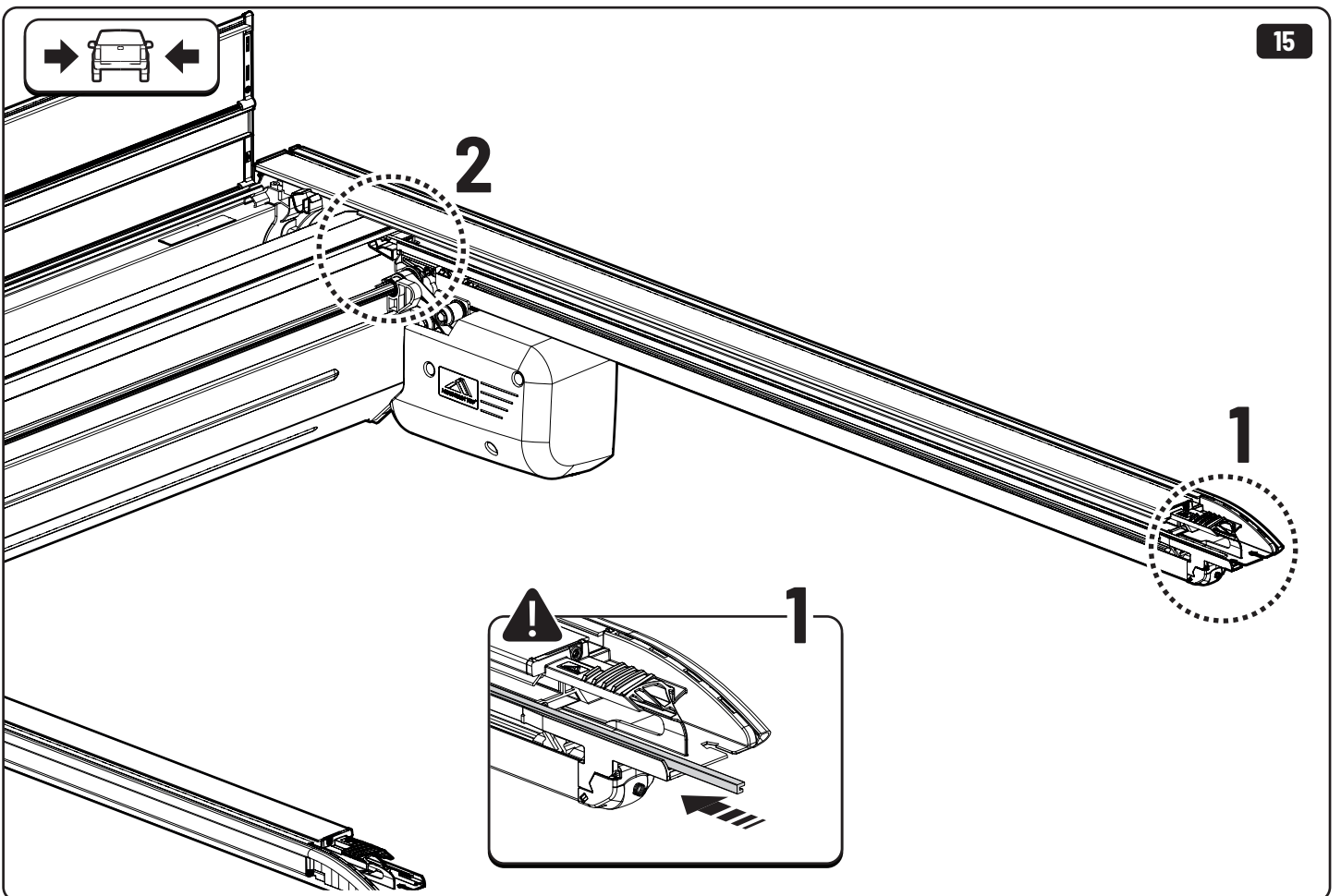
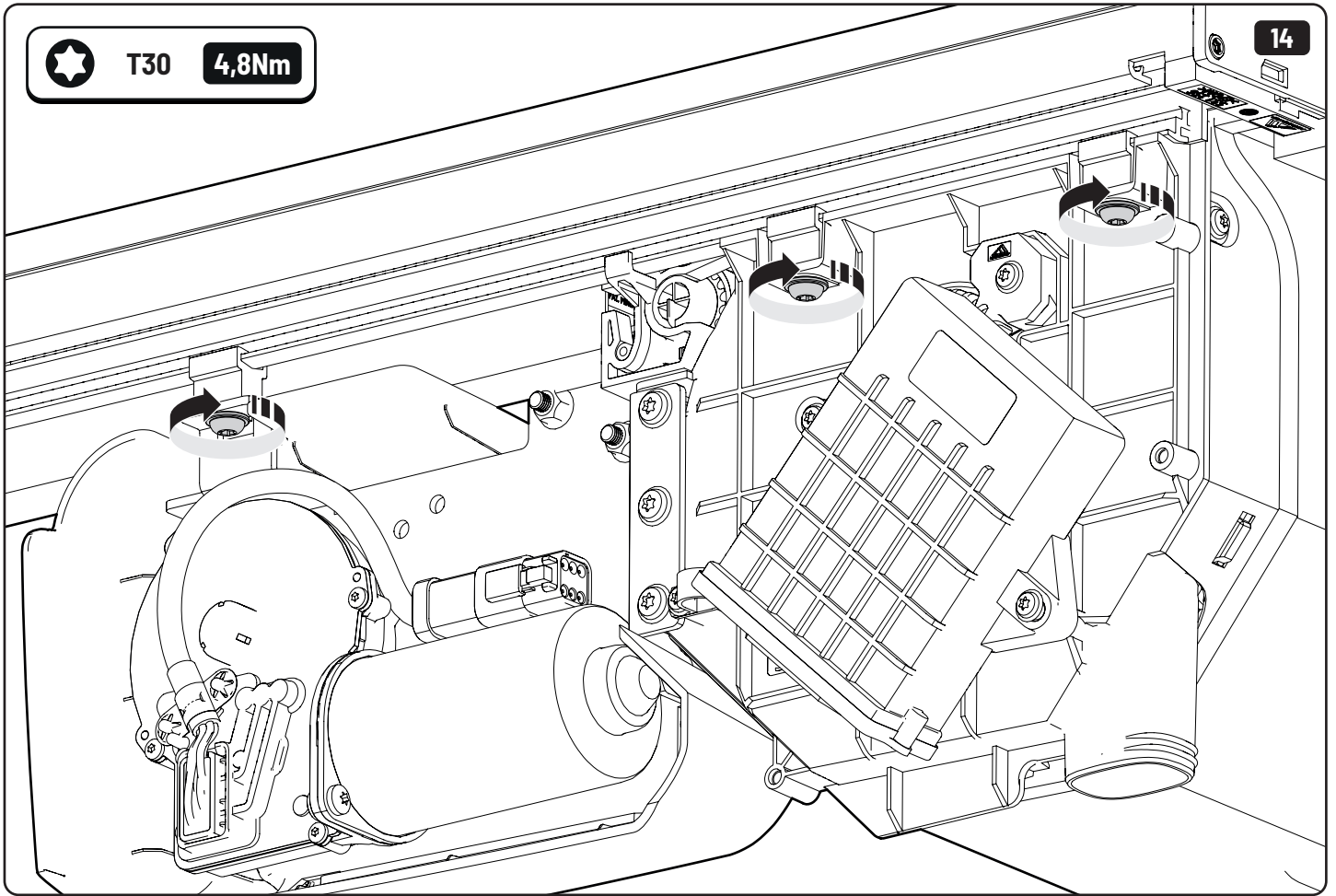
C

CLICK!

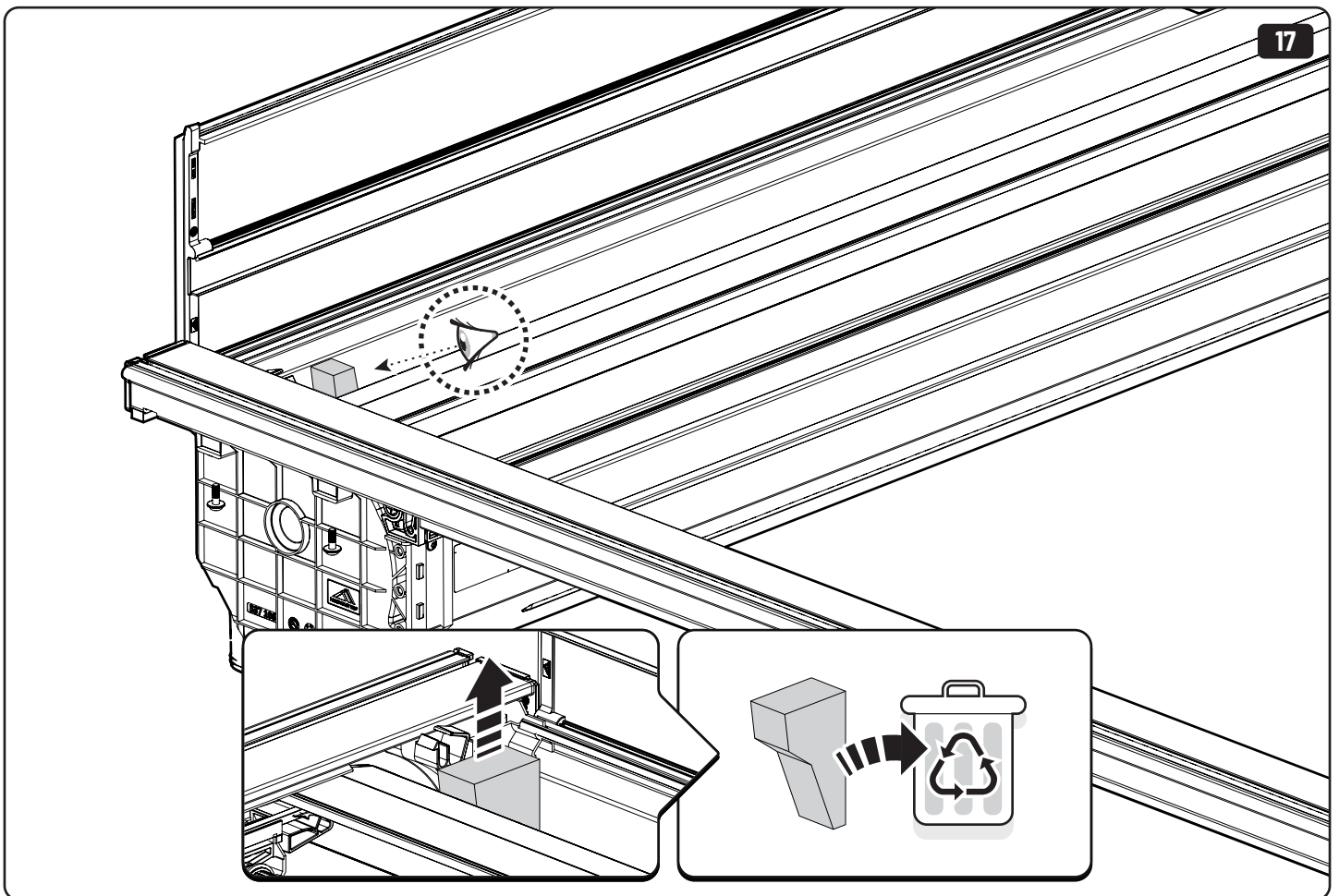
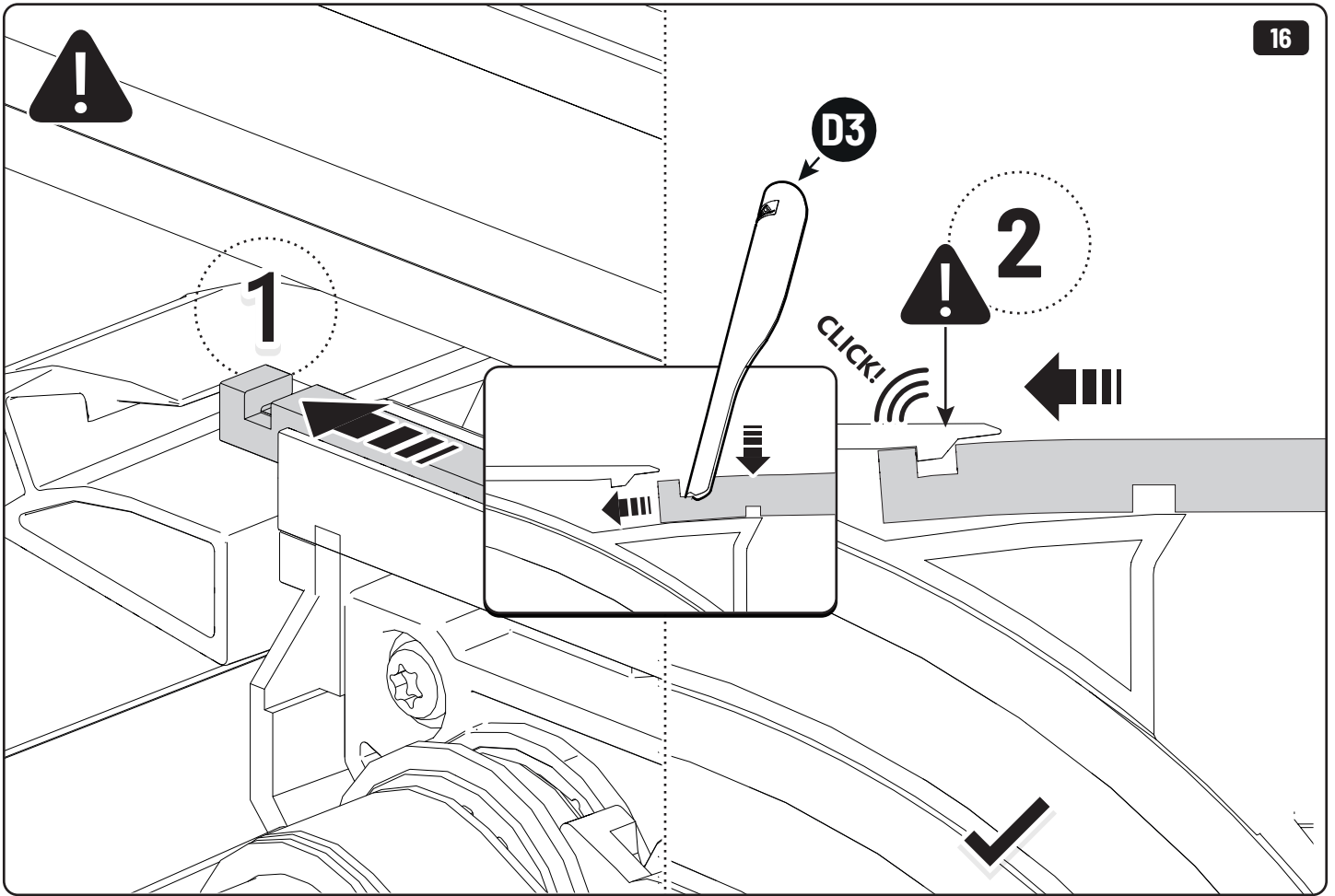


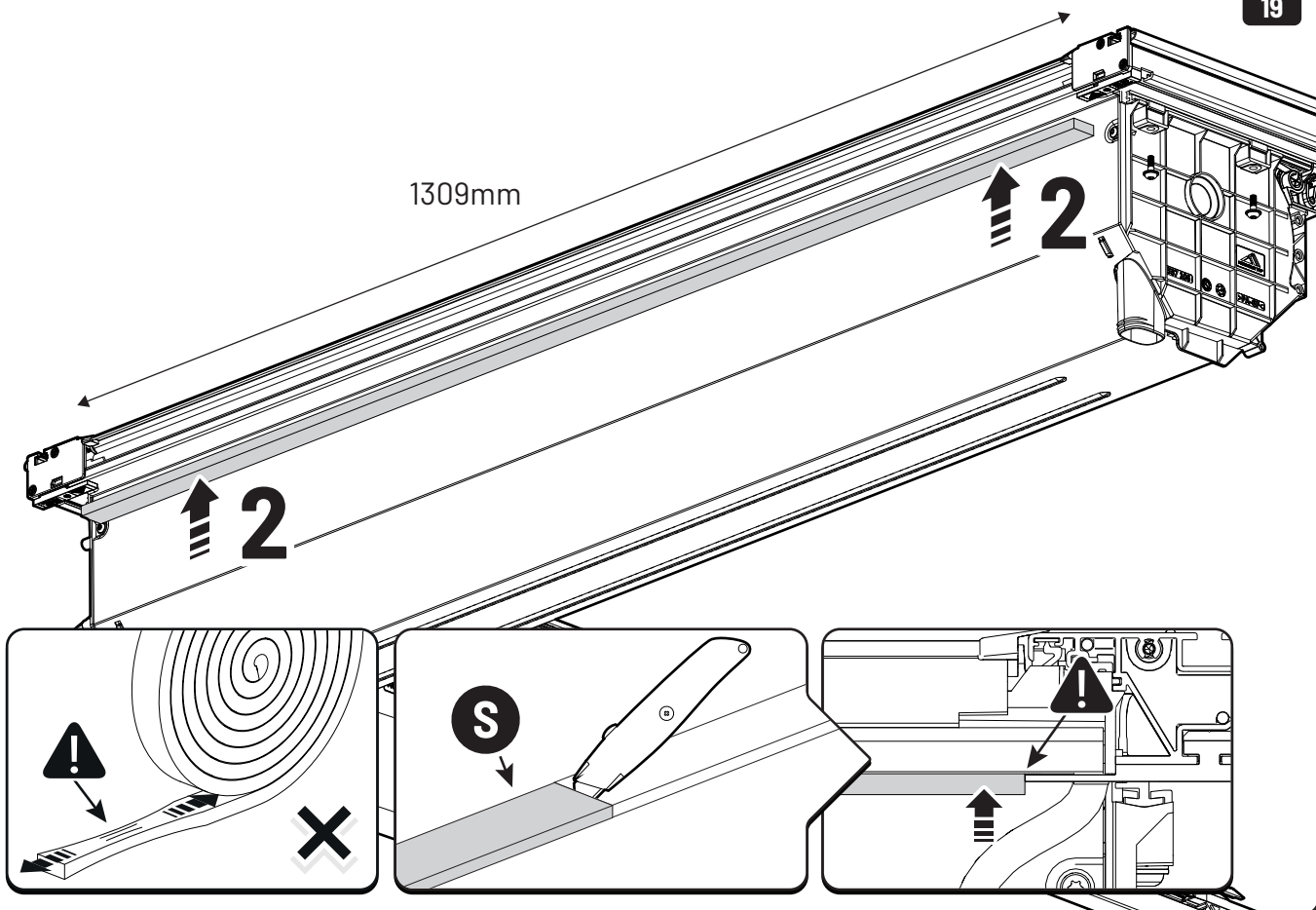
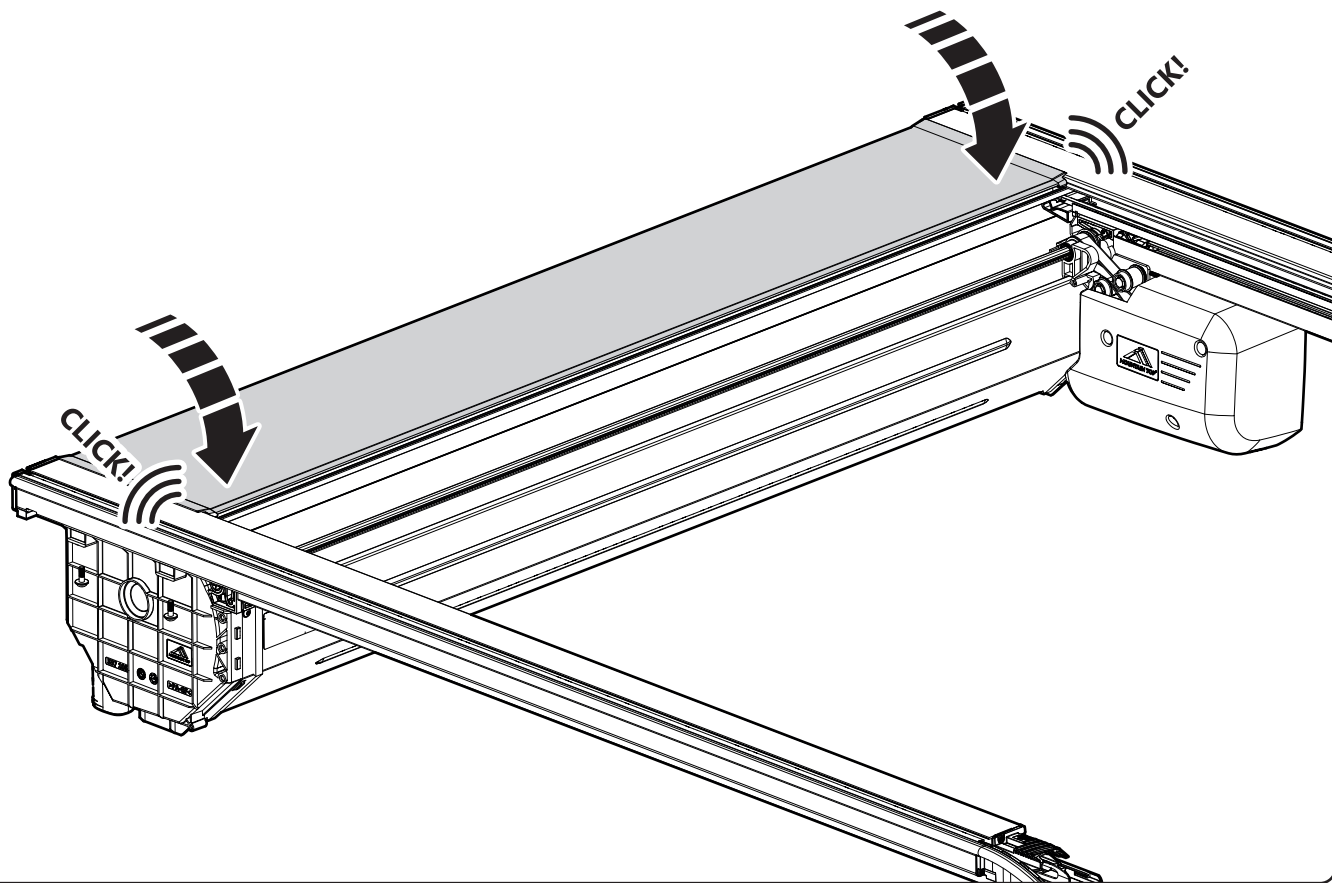


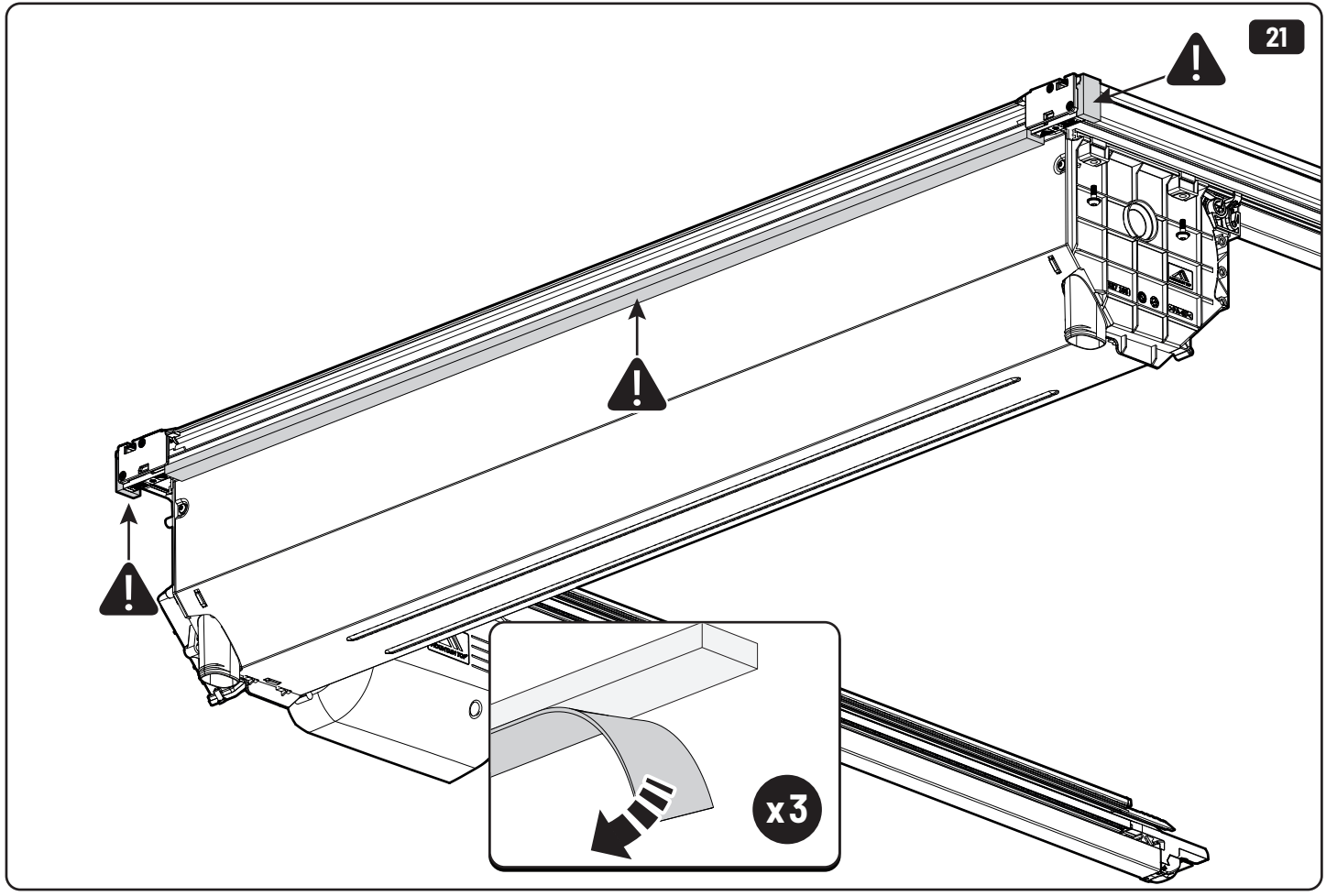
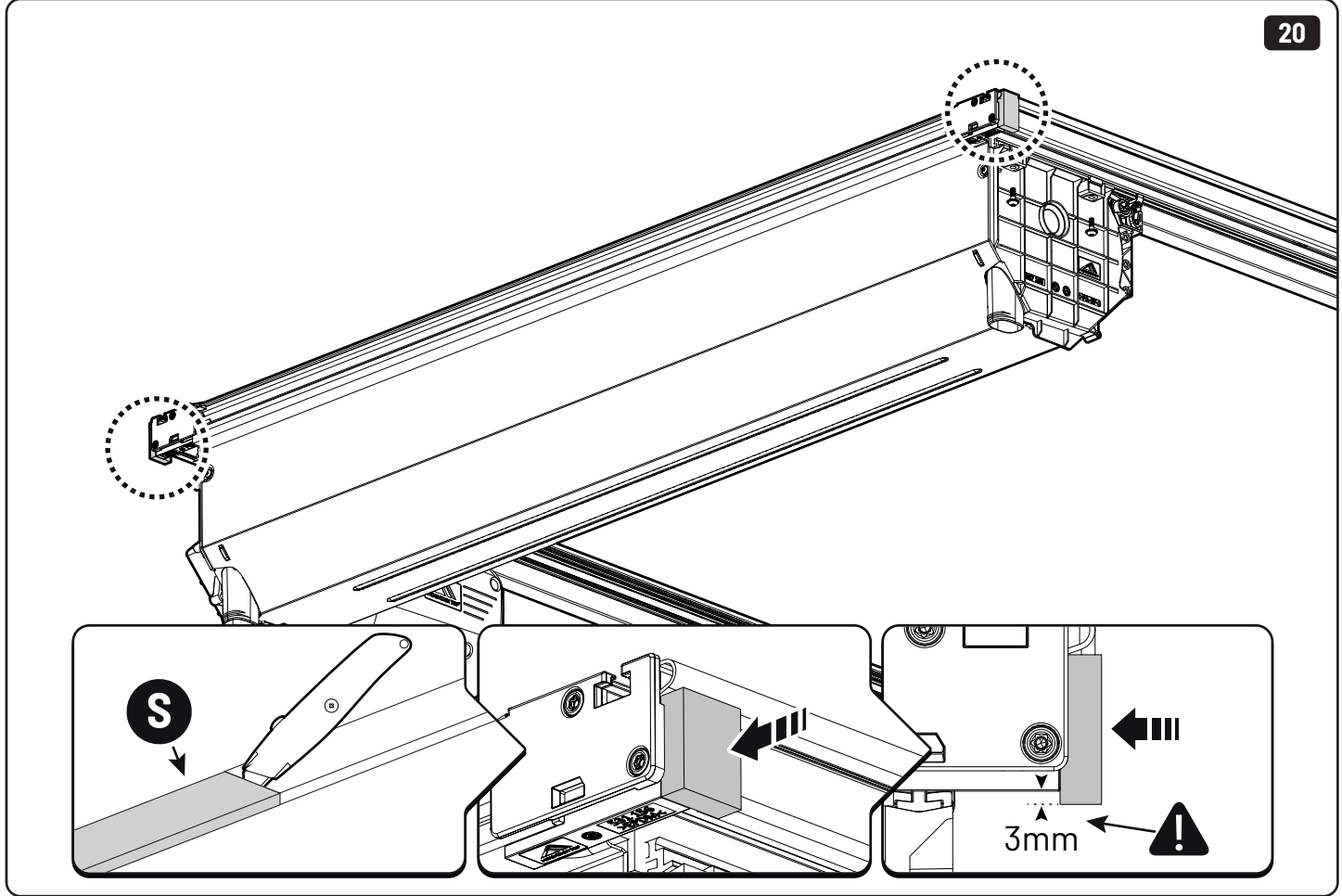


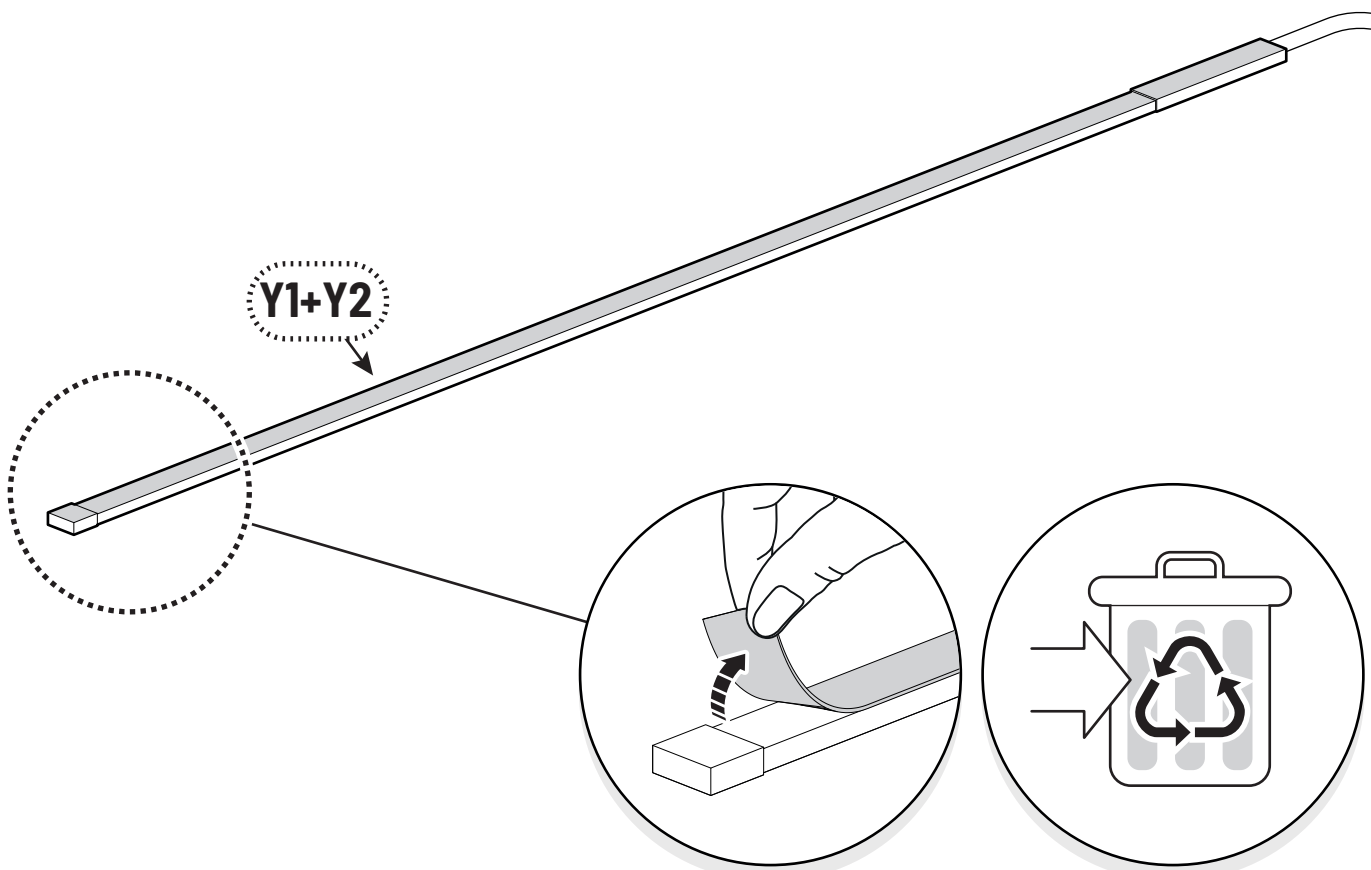
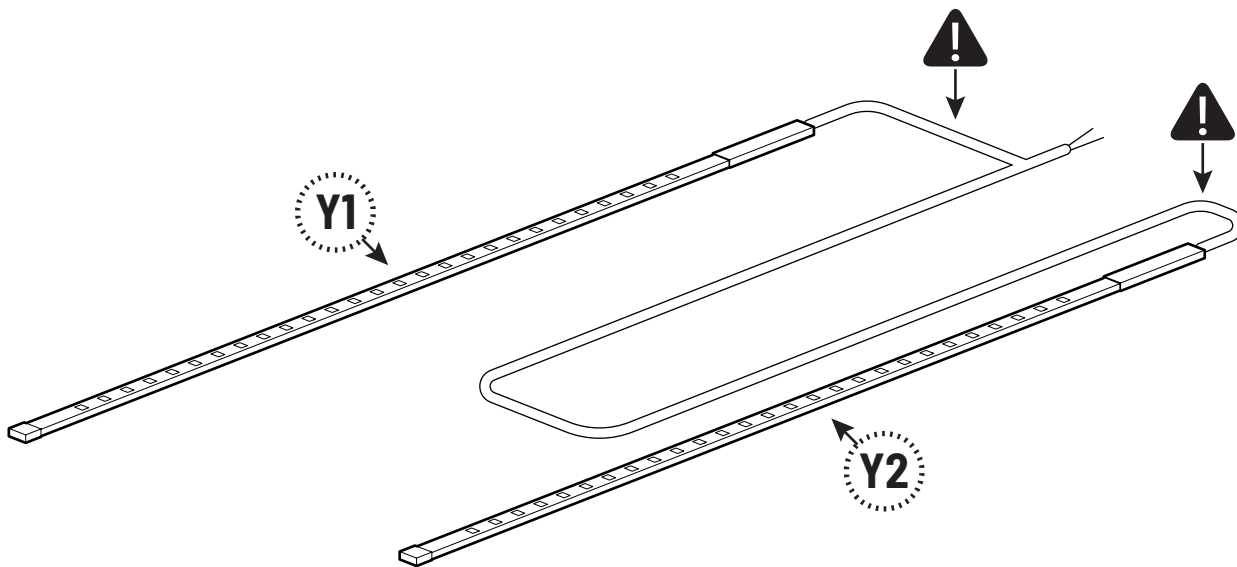


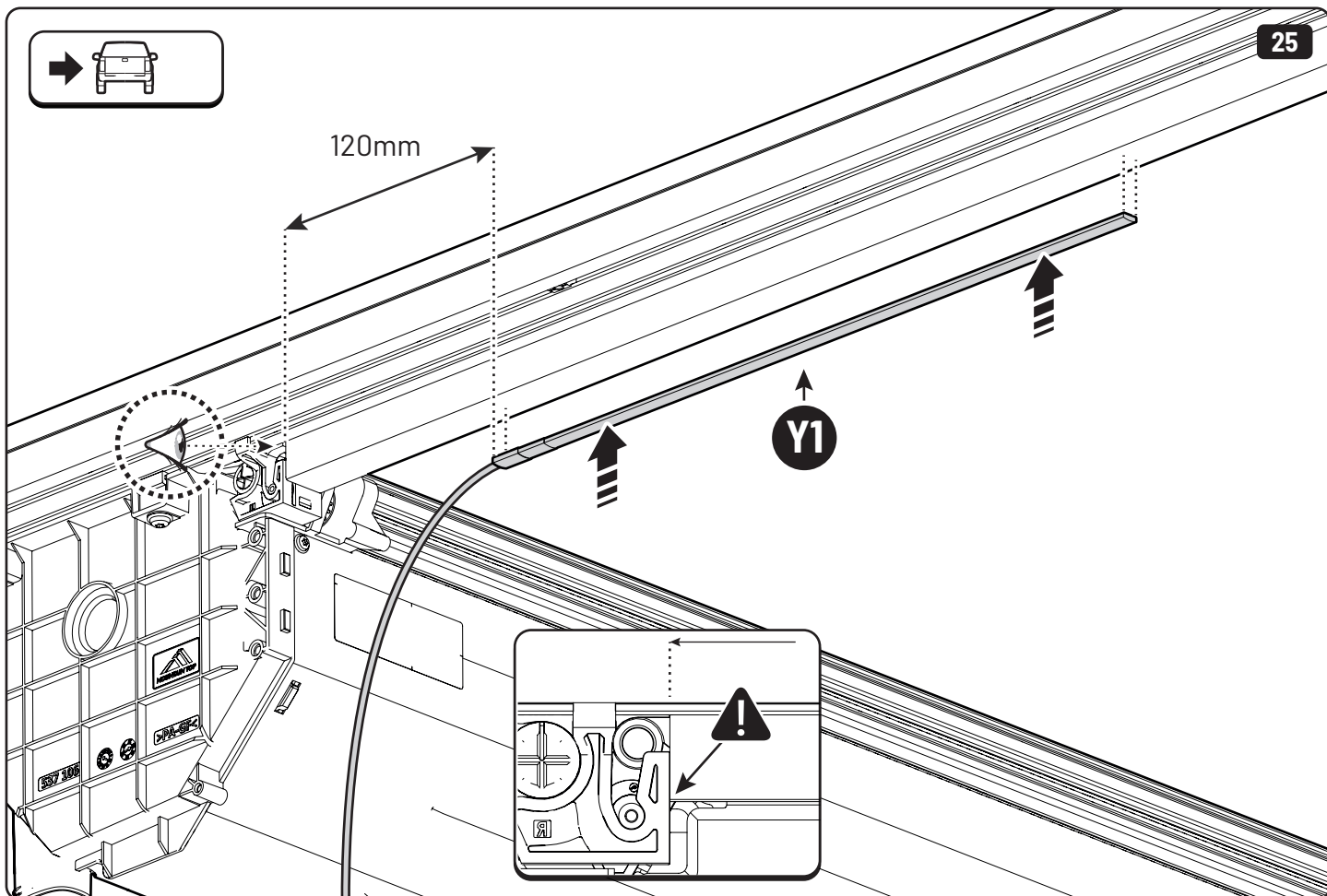
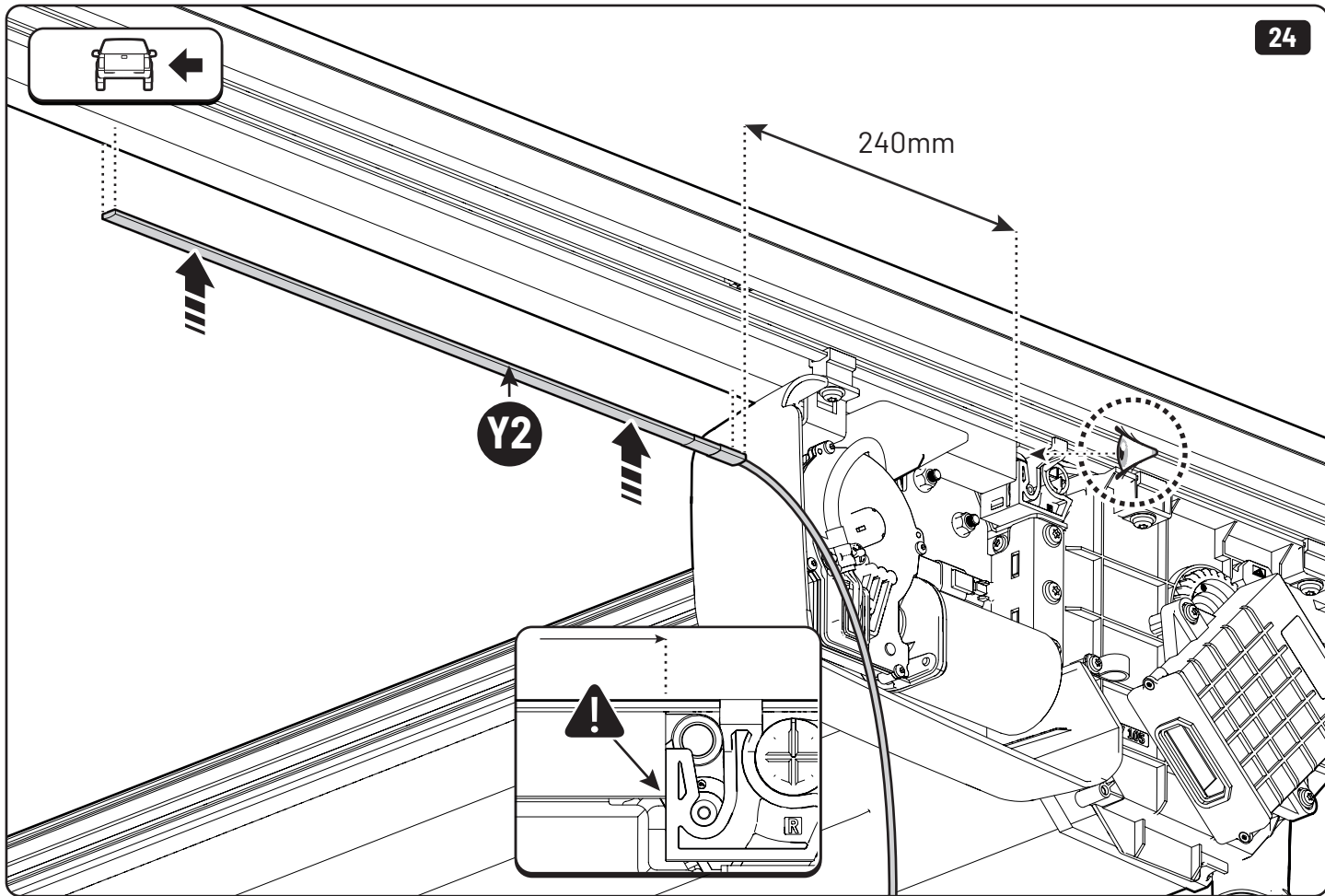




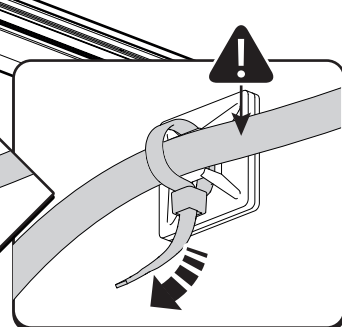
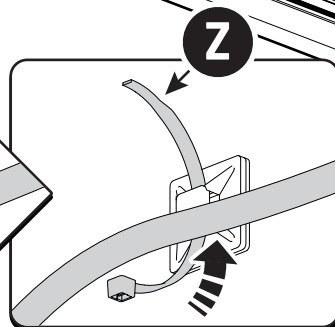
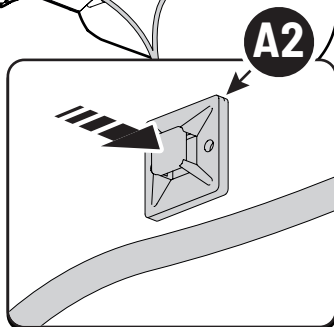
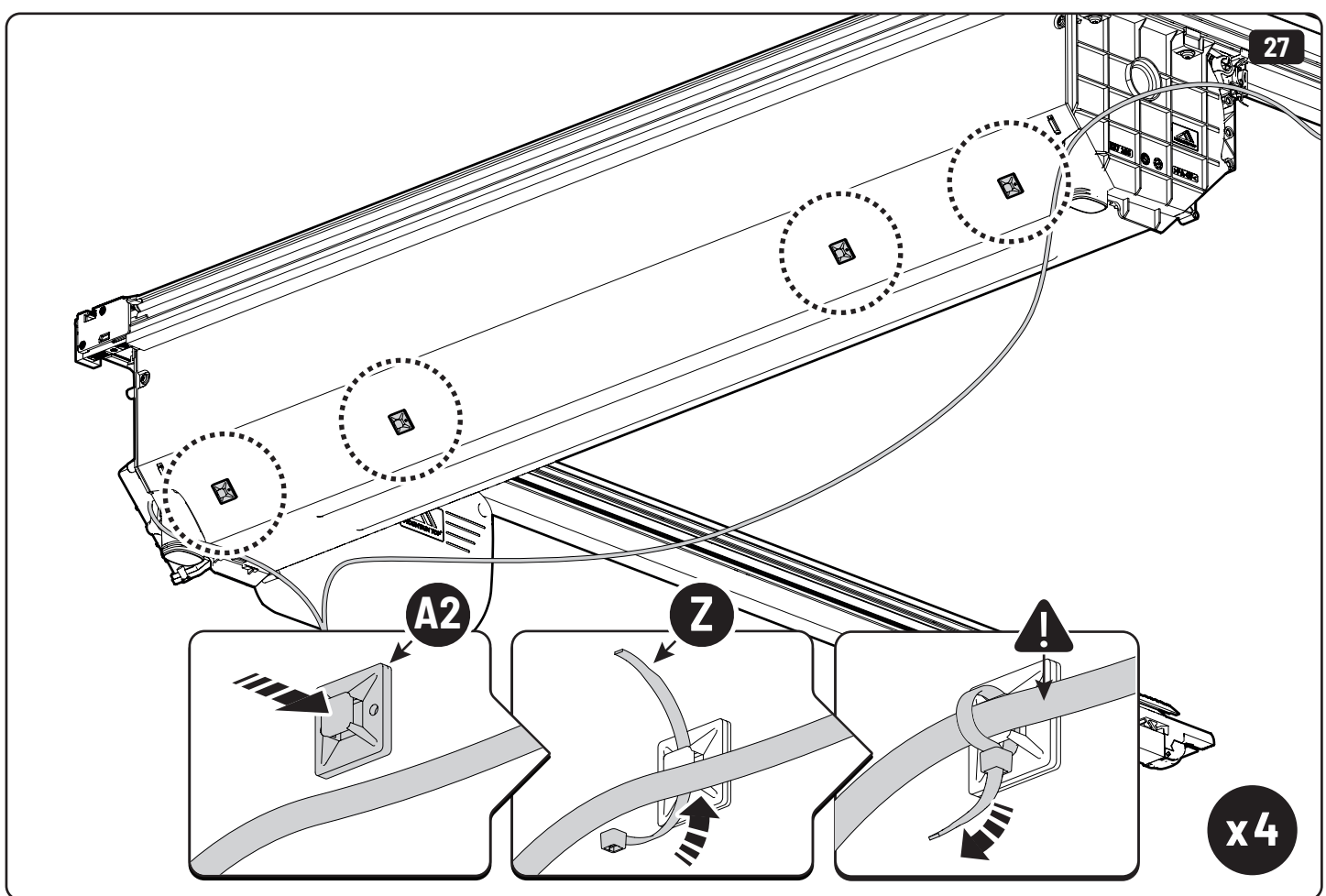
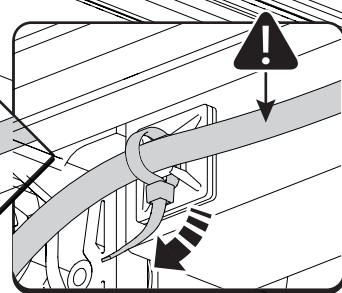
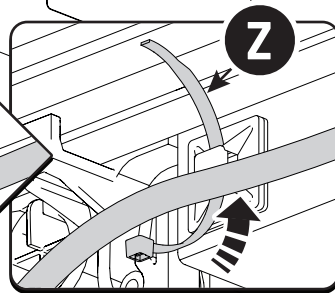
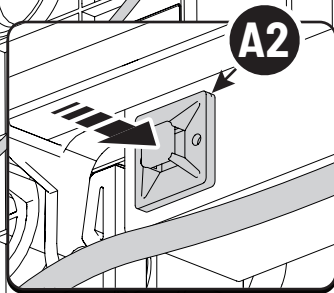
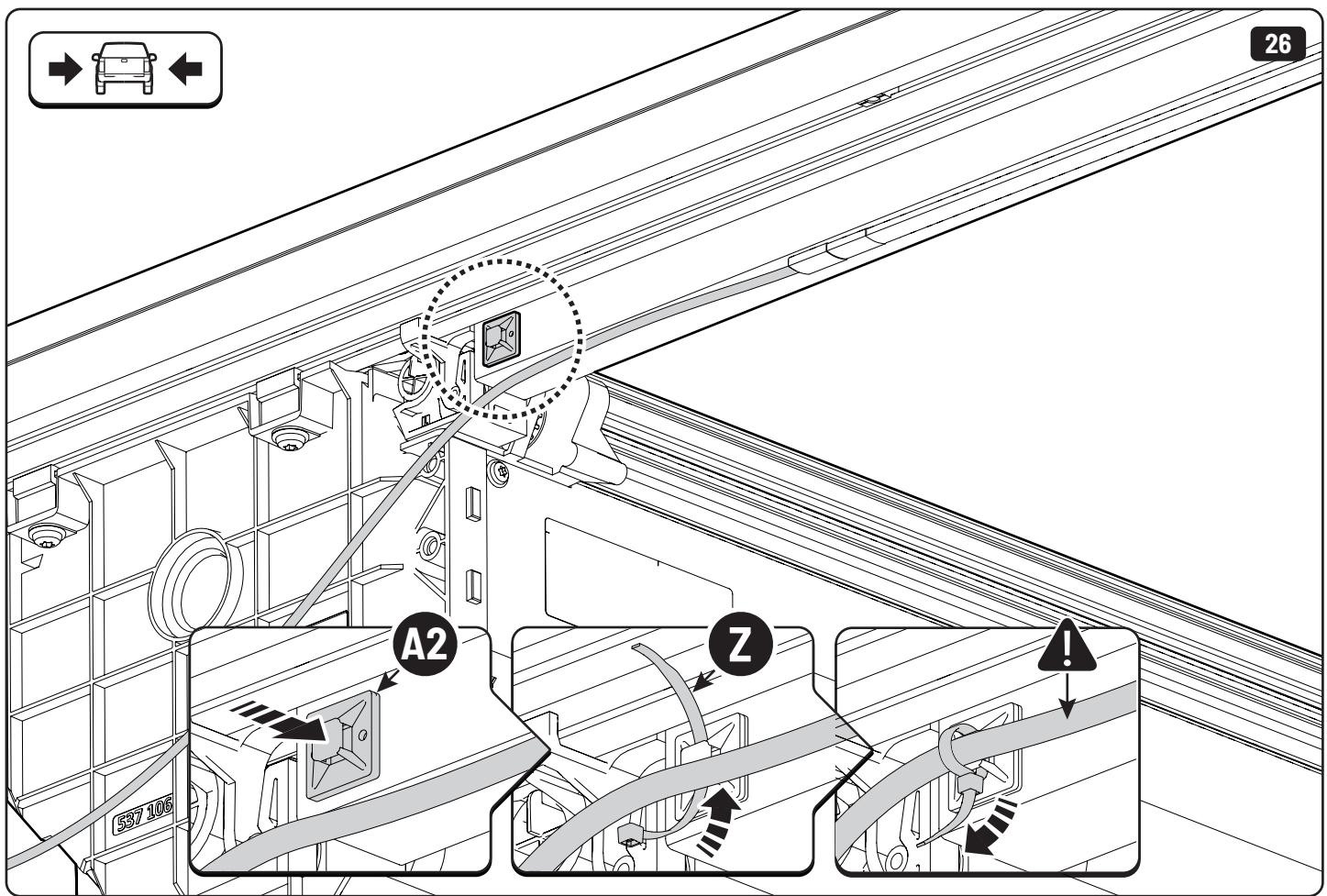
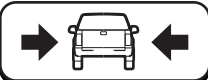




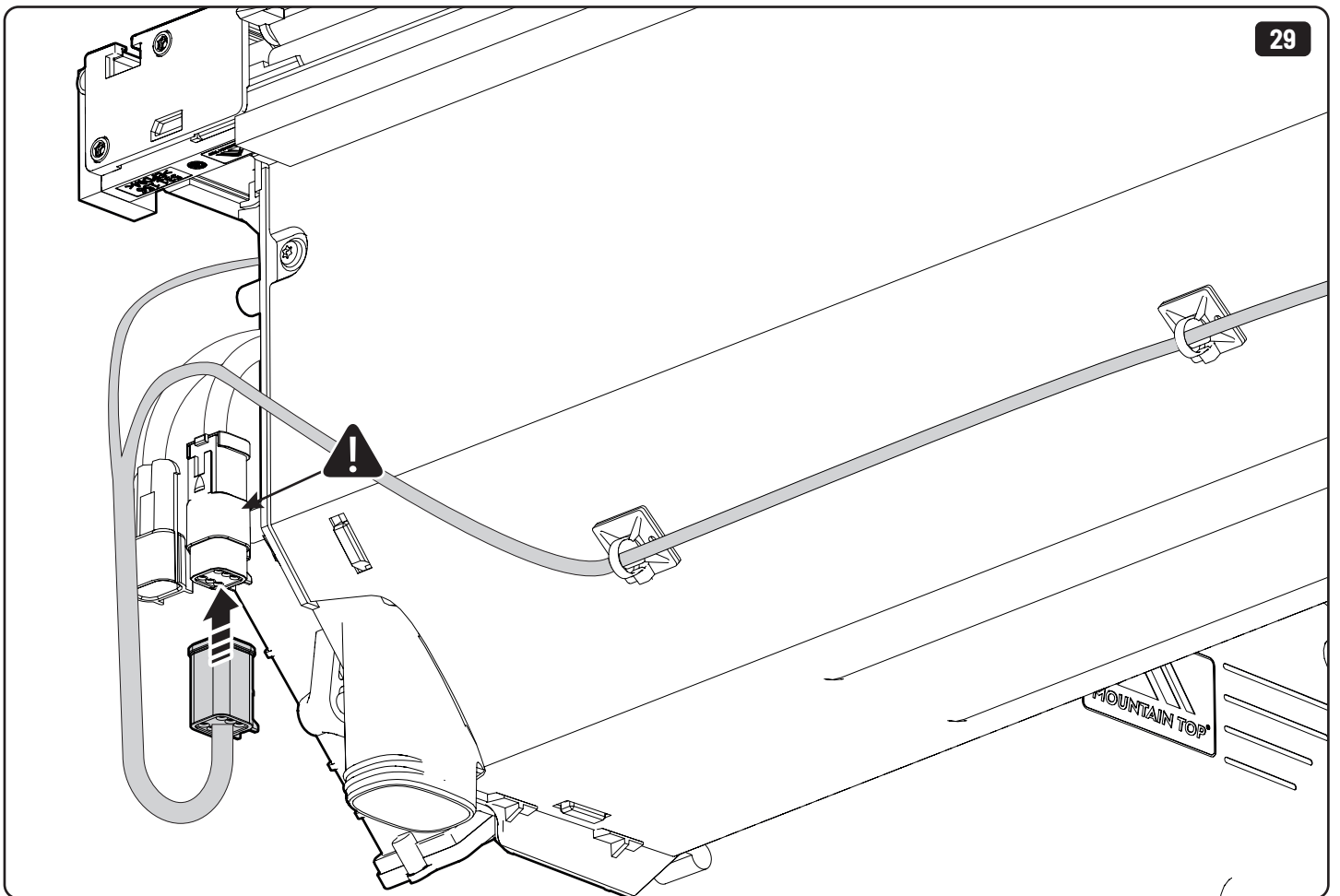
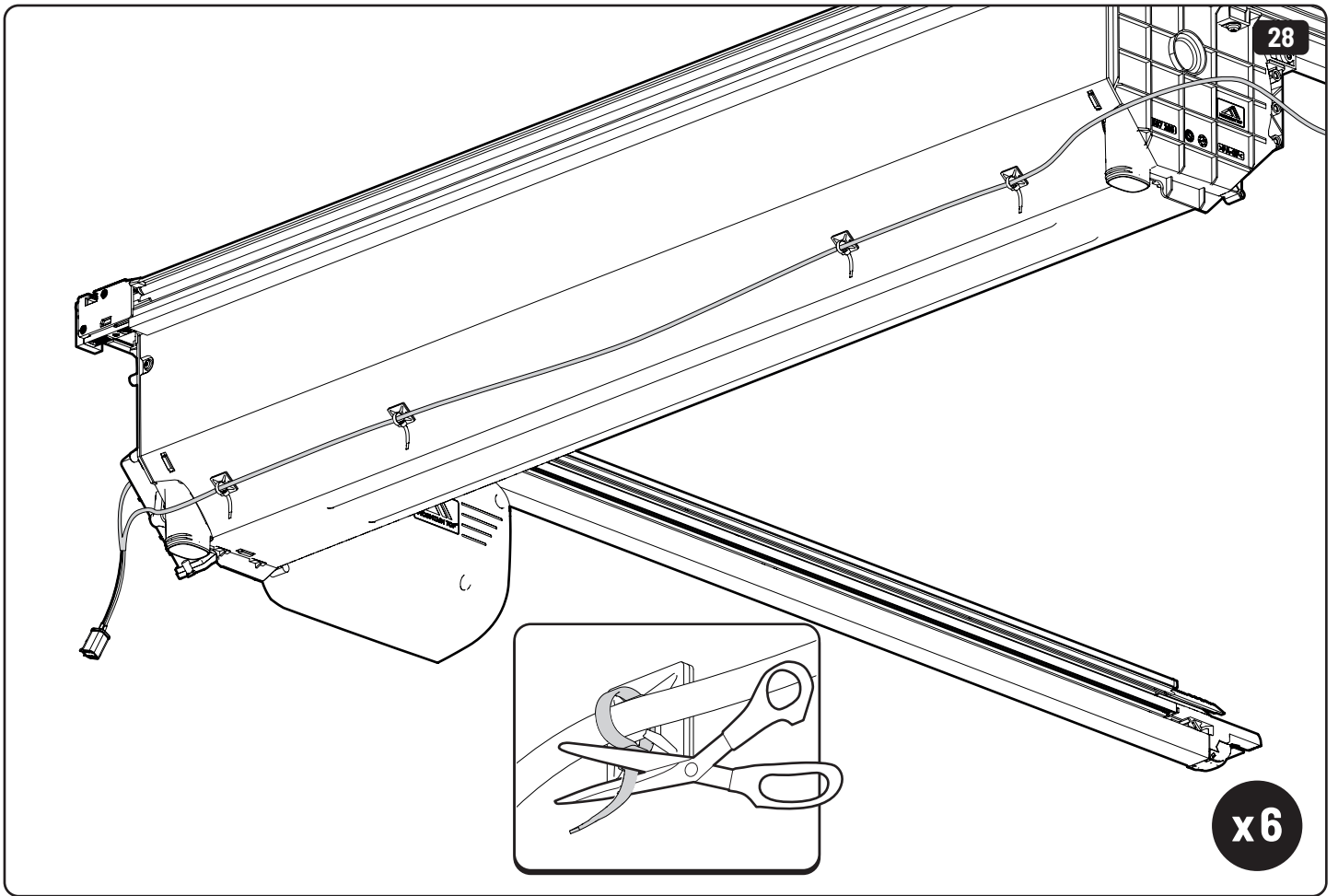


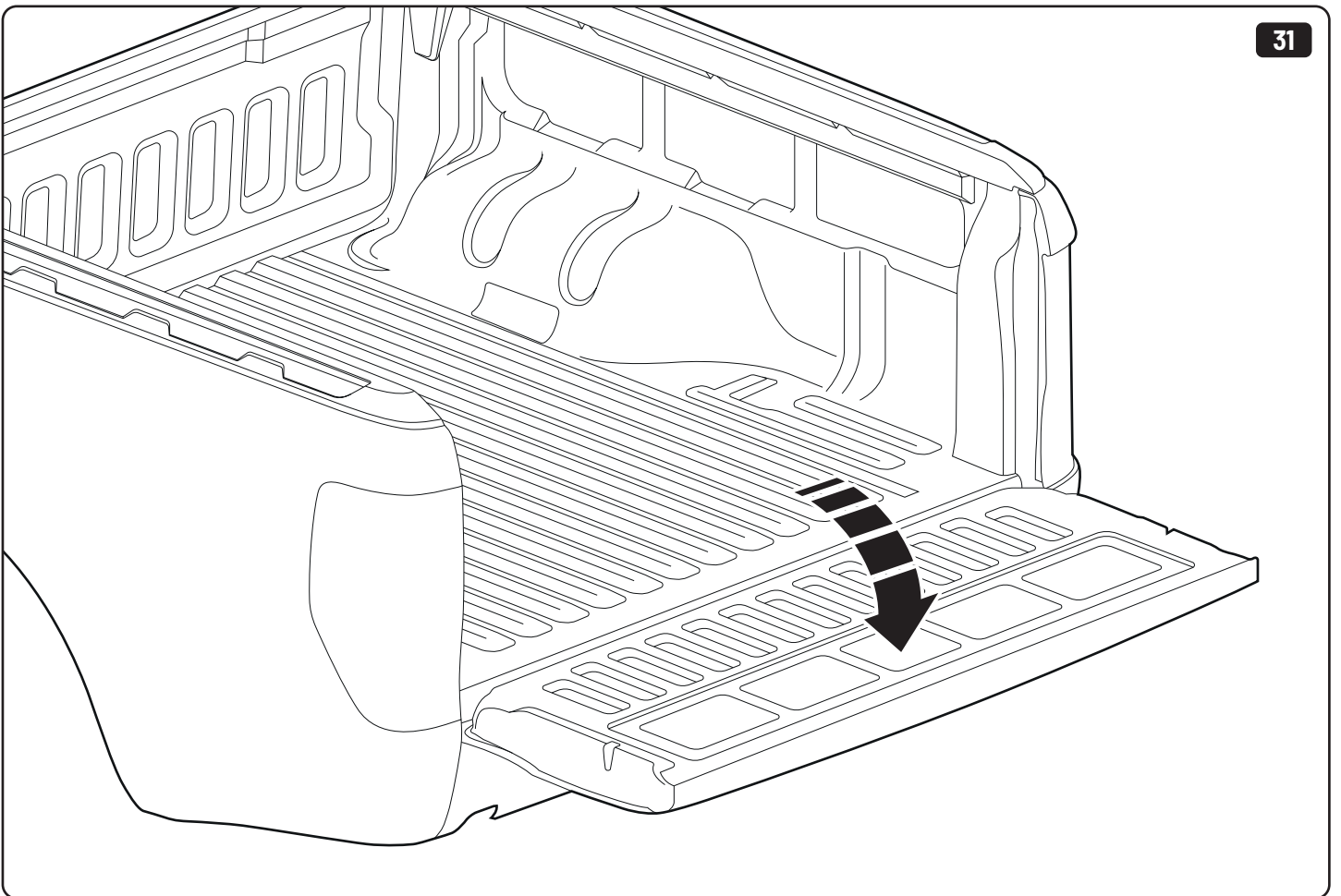
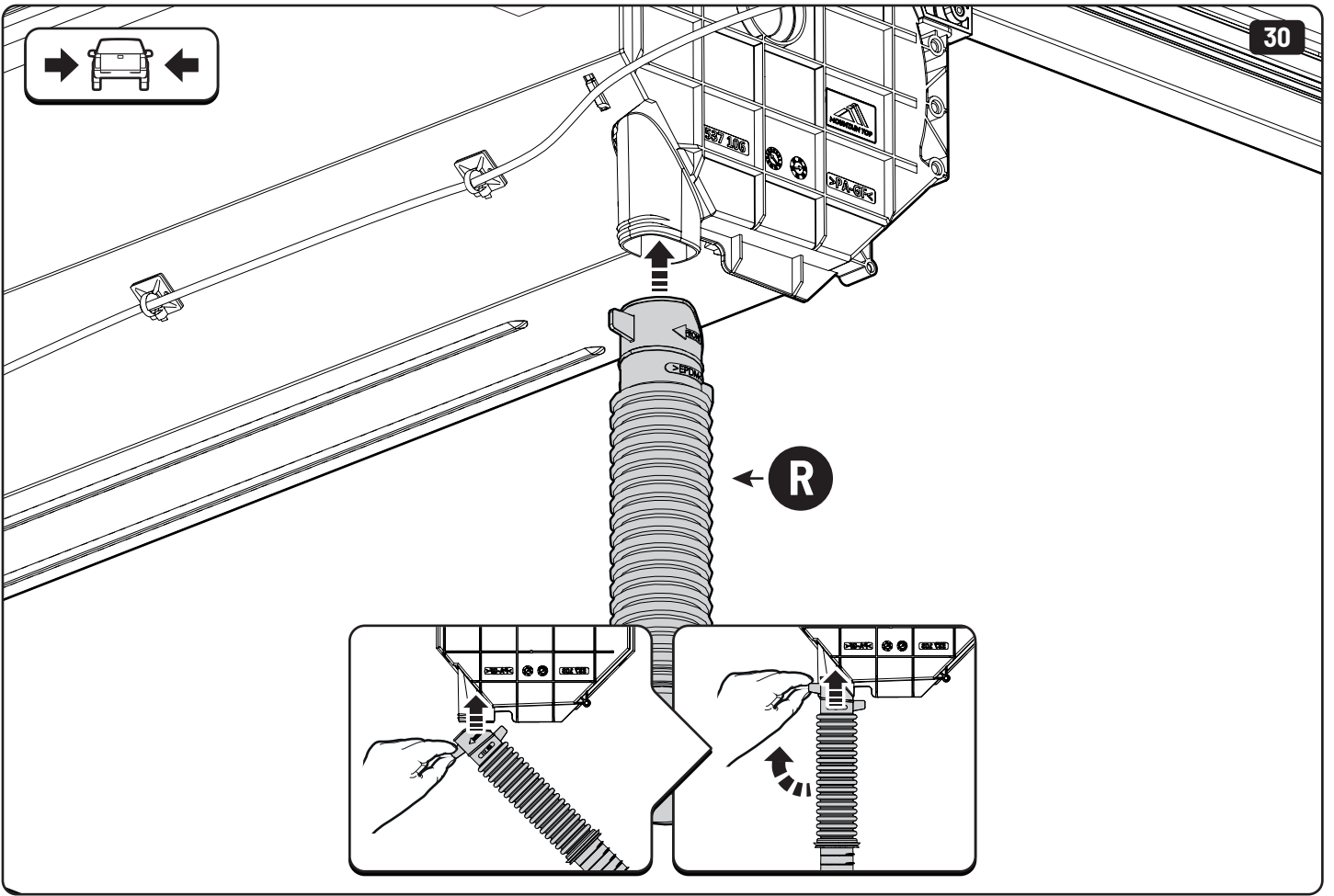




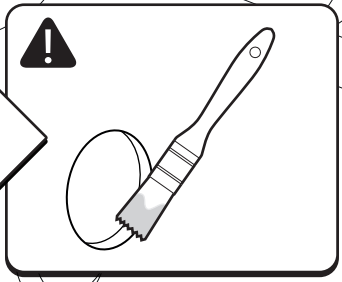
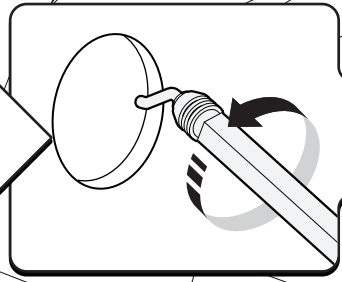
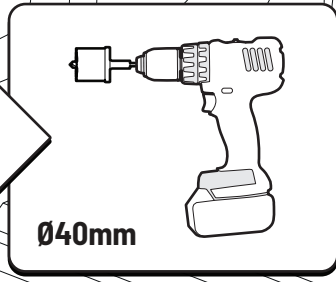
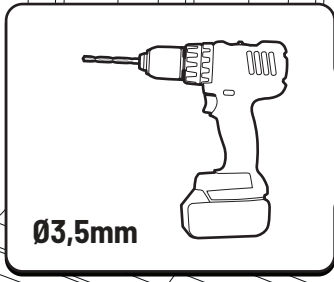
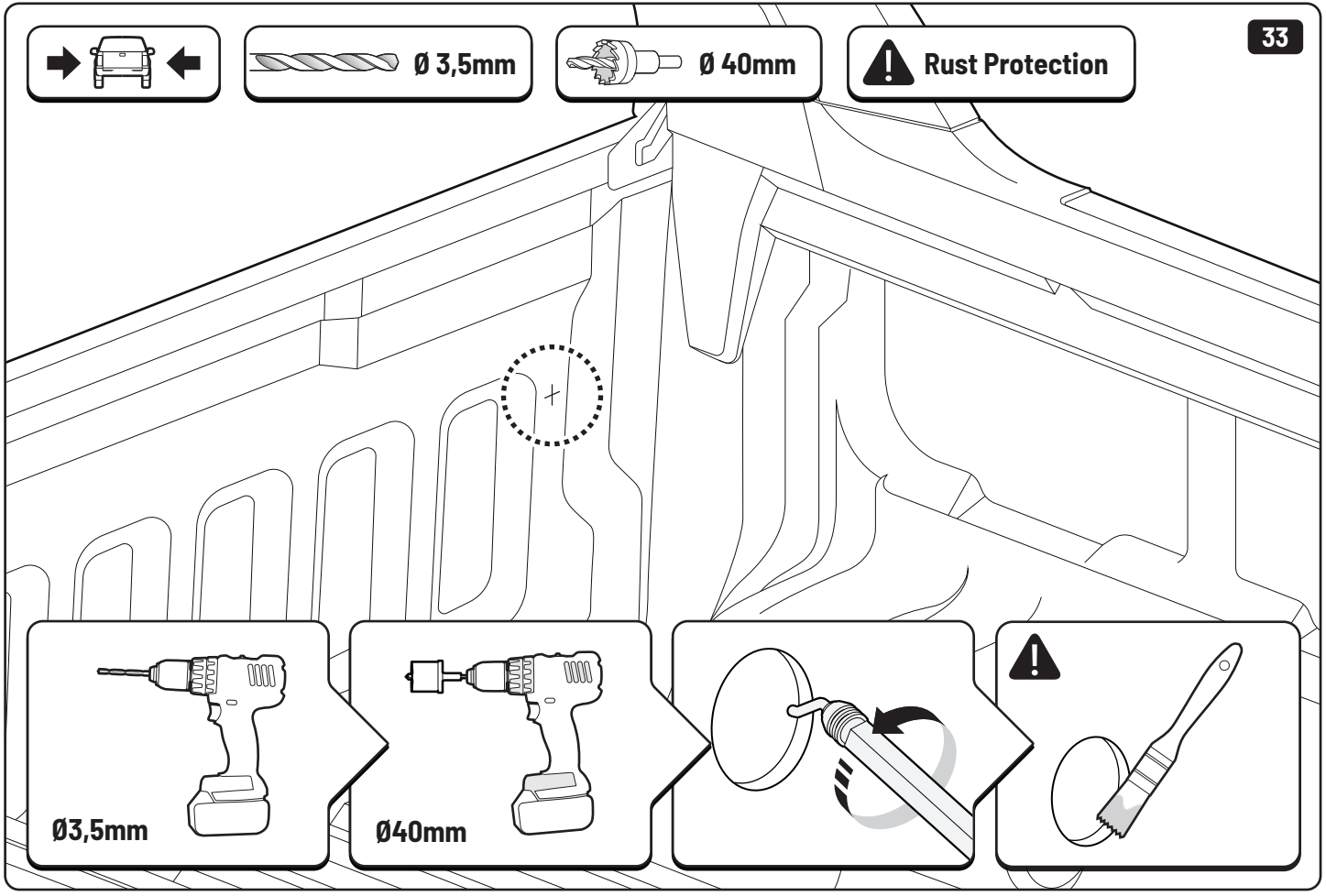
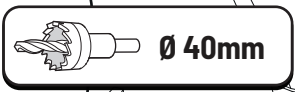
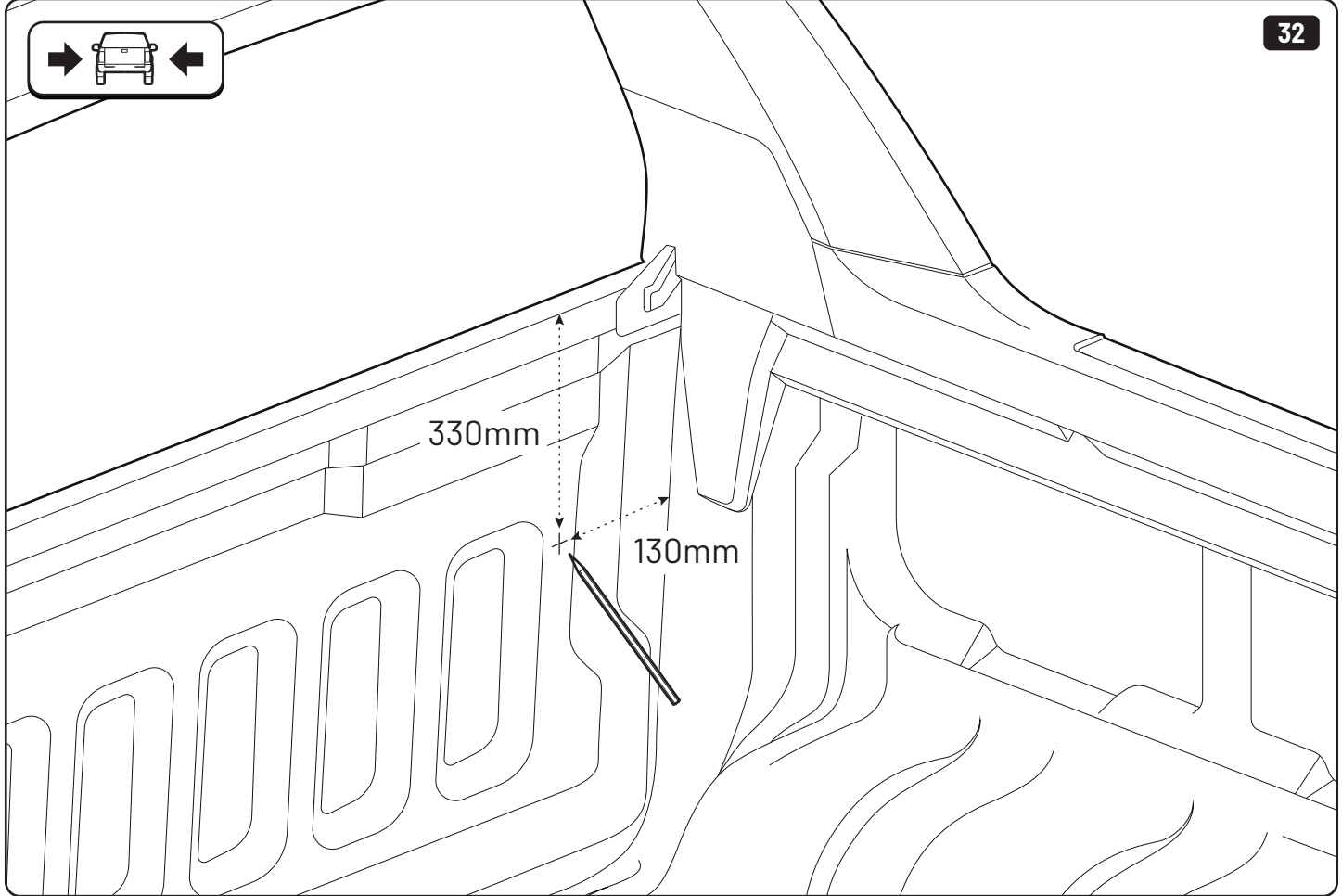


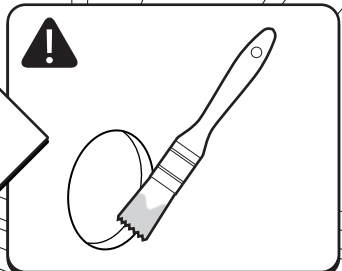
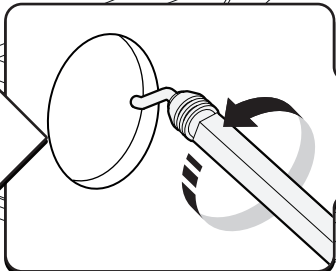
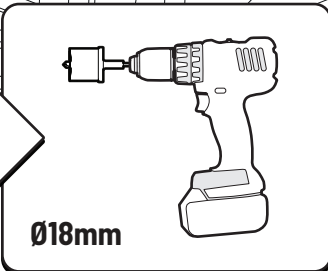
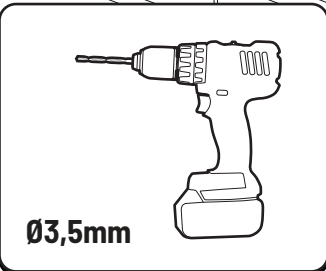
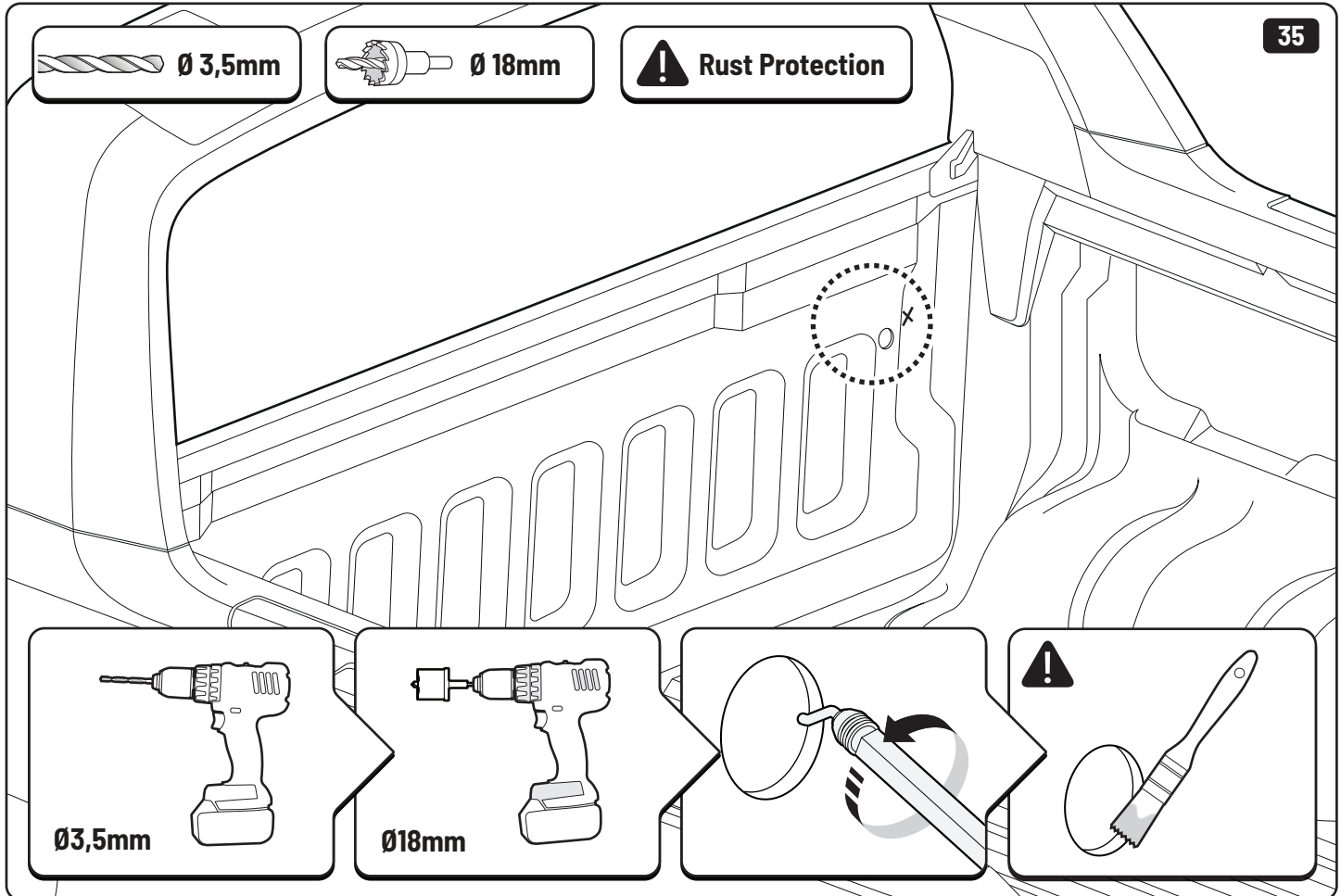
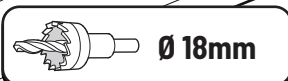
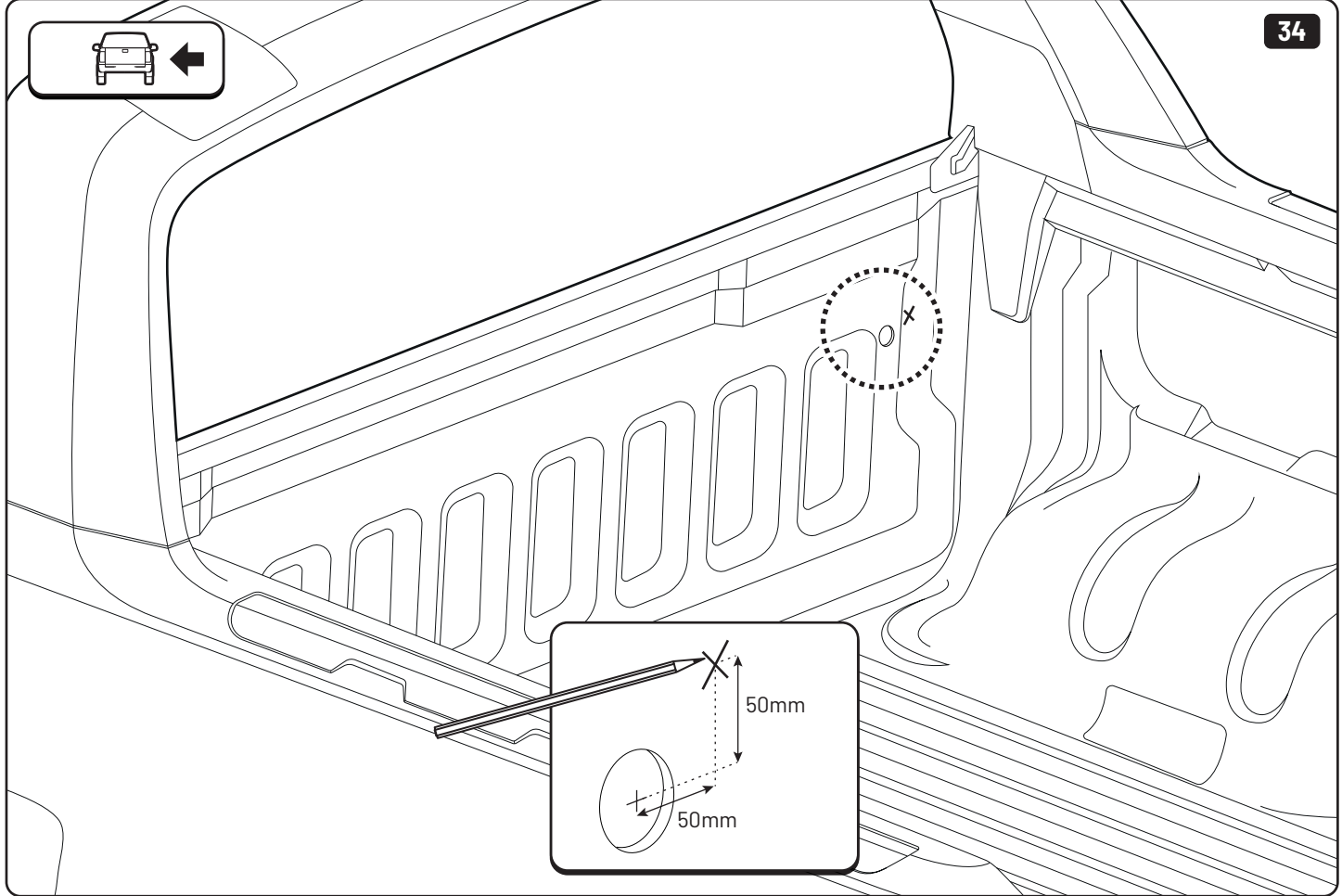
x4

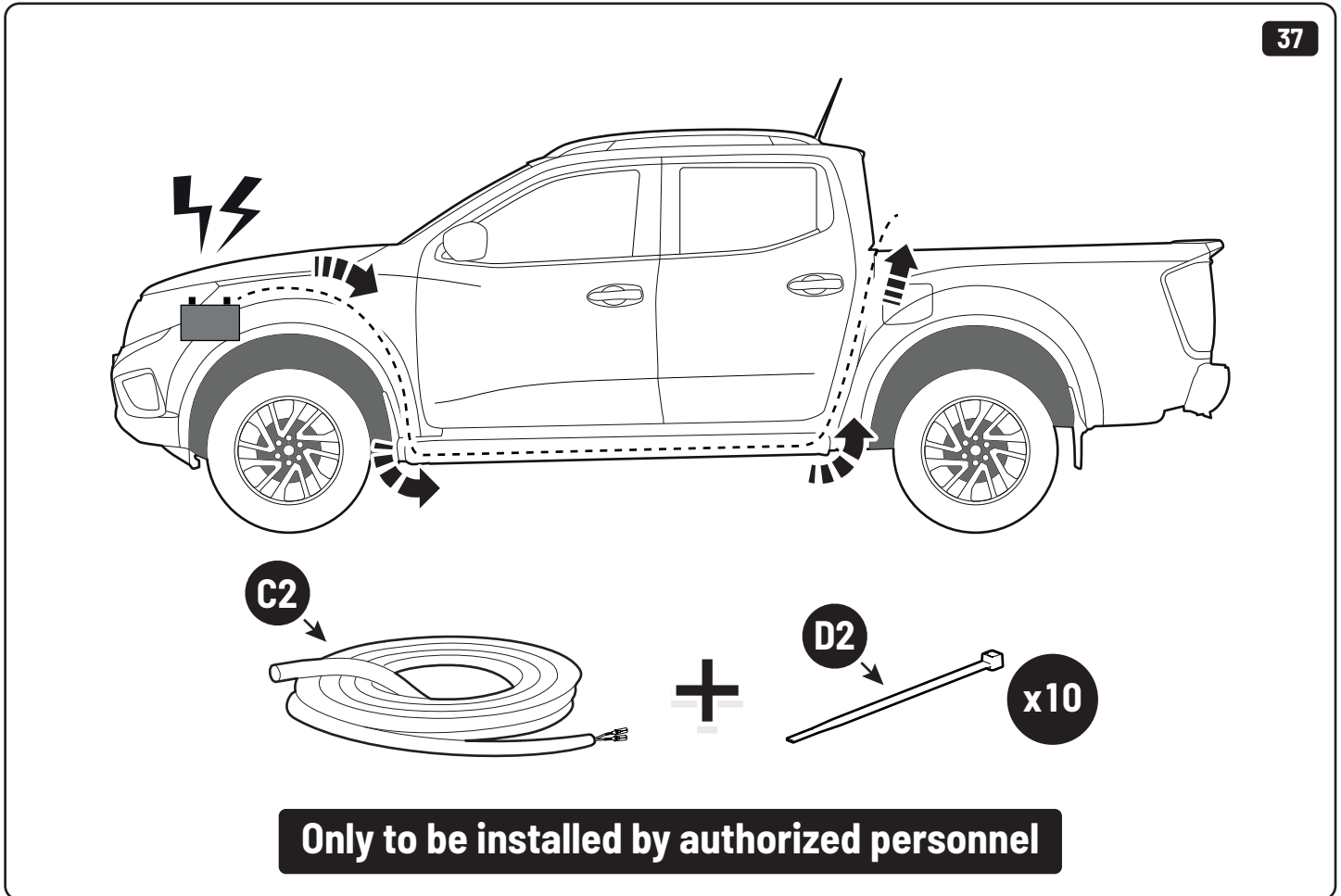
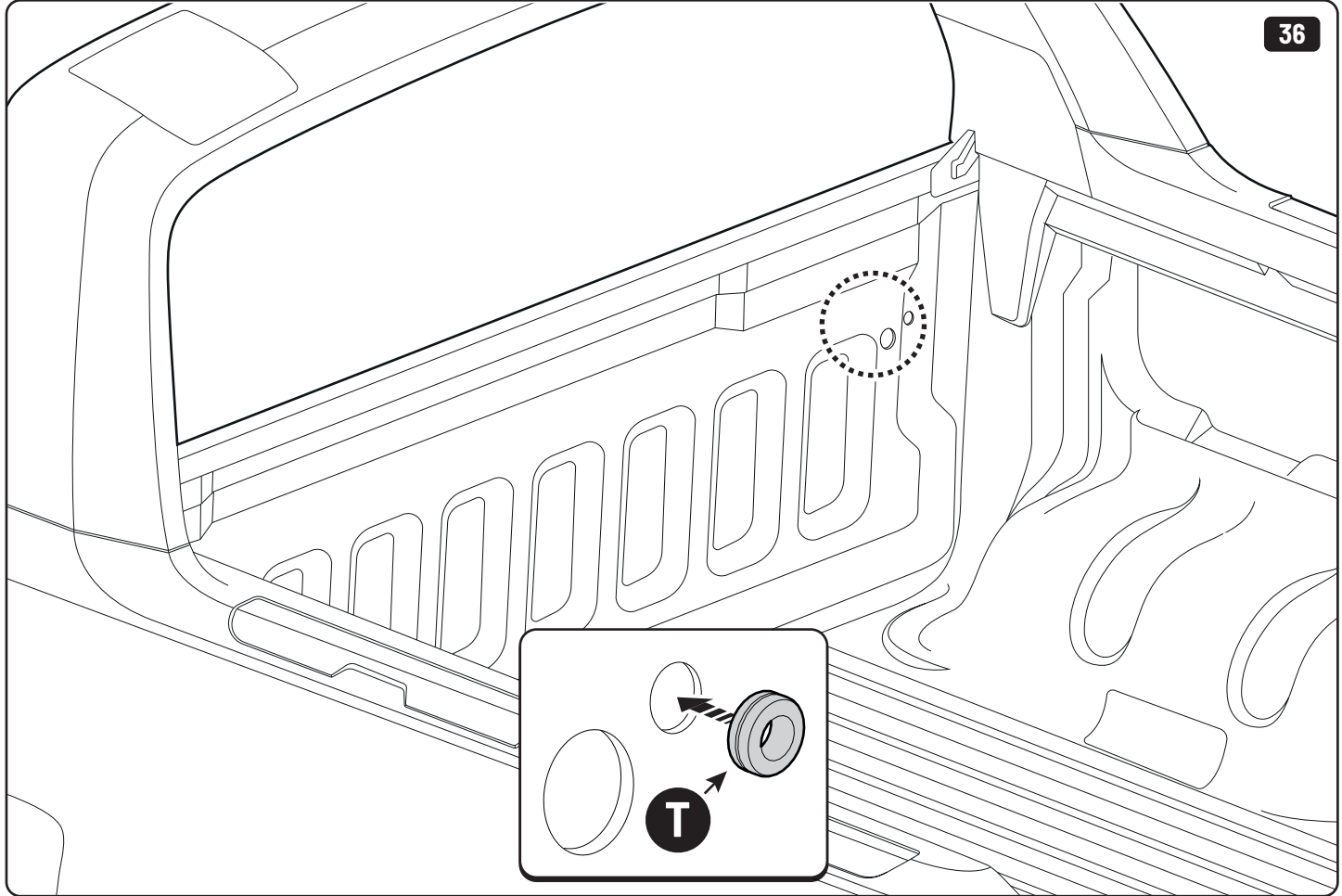


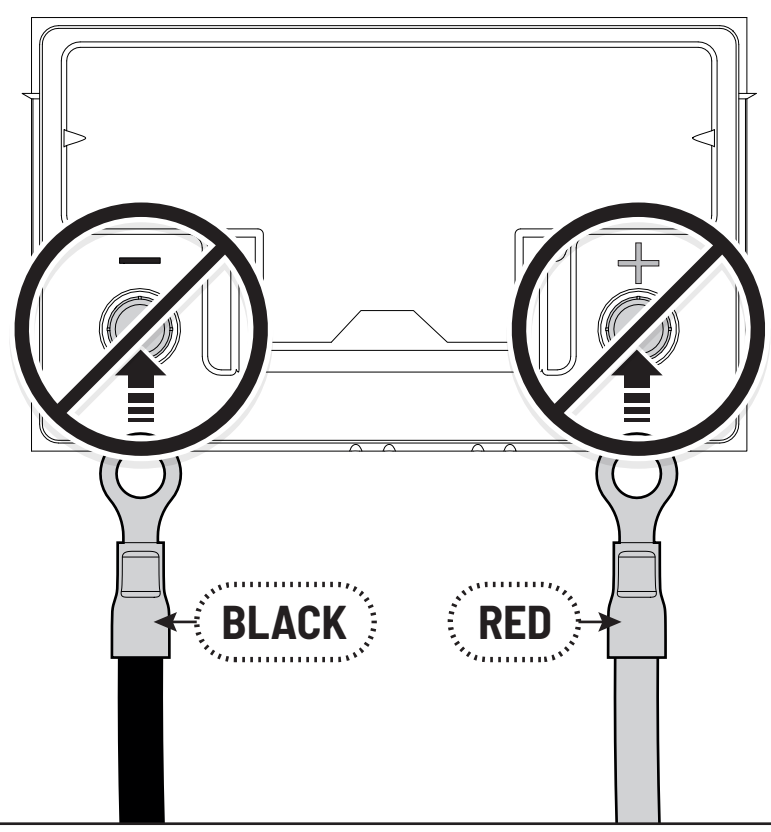
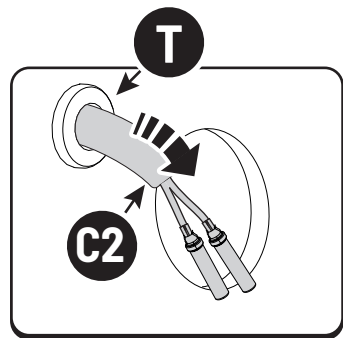
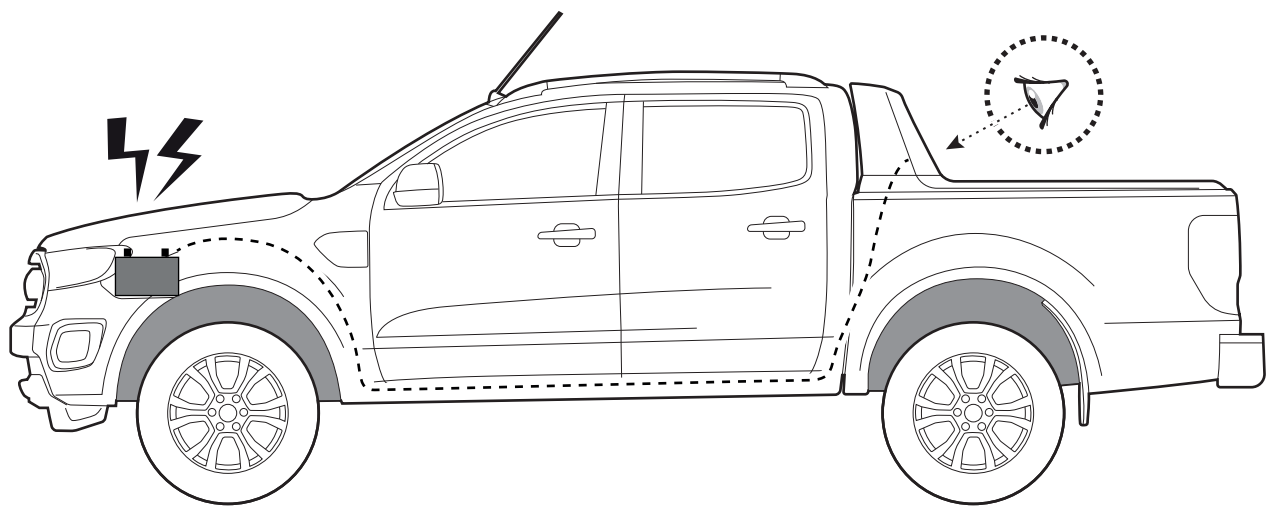


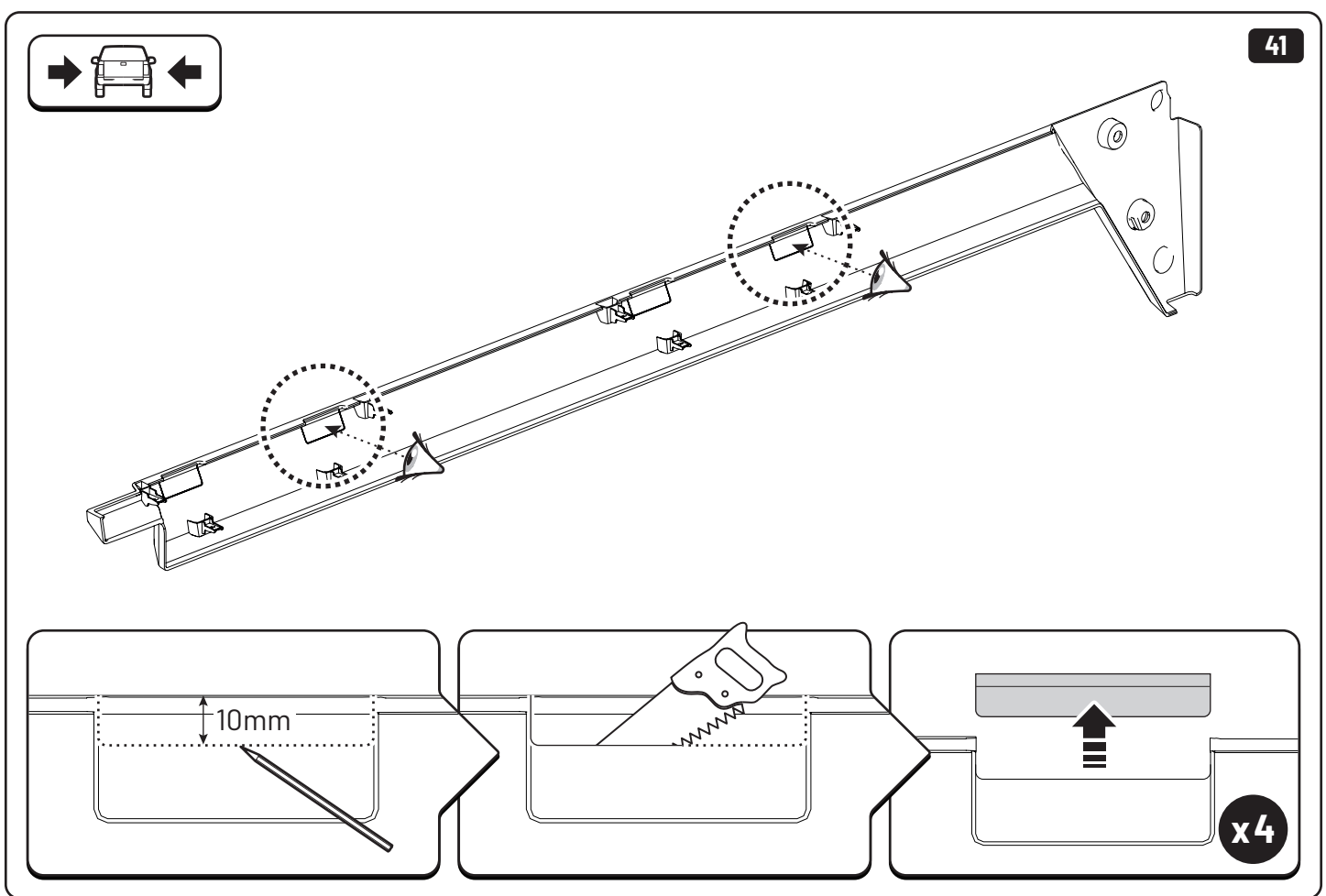
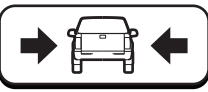
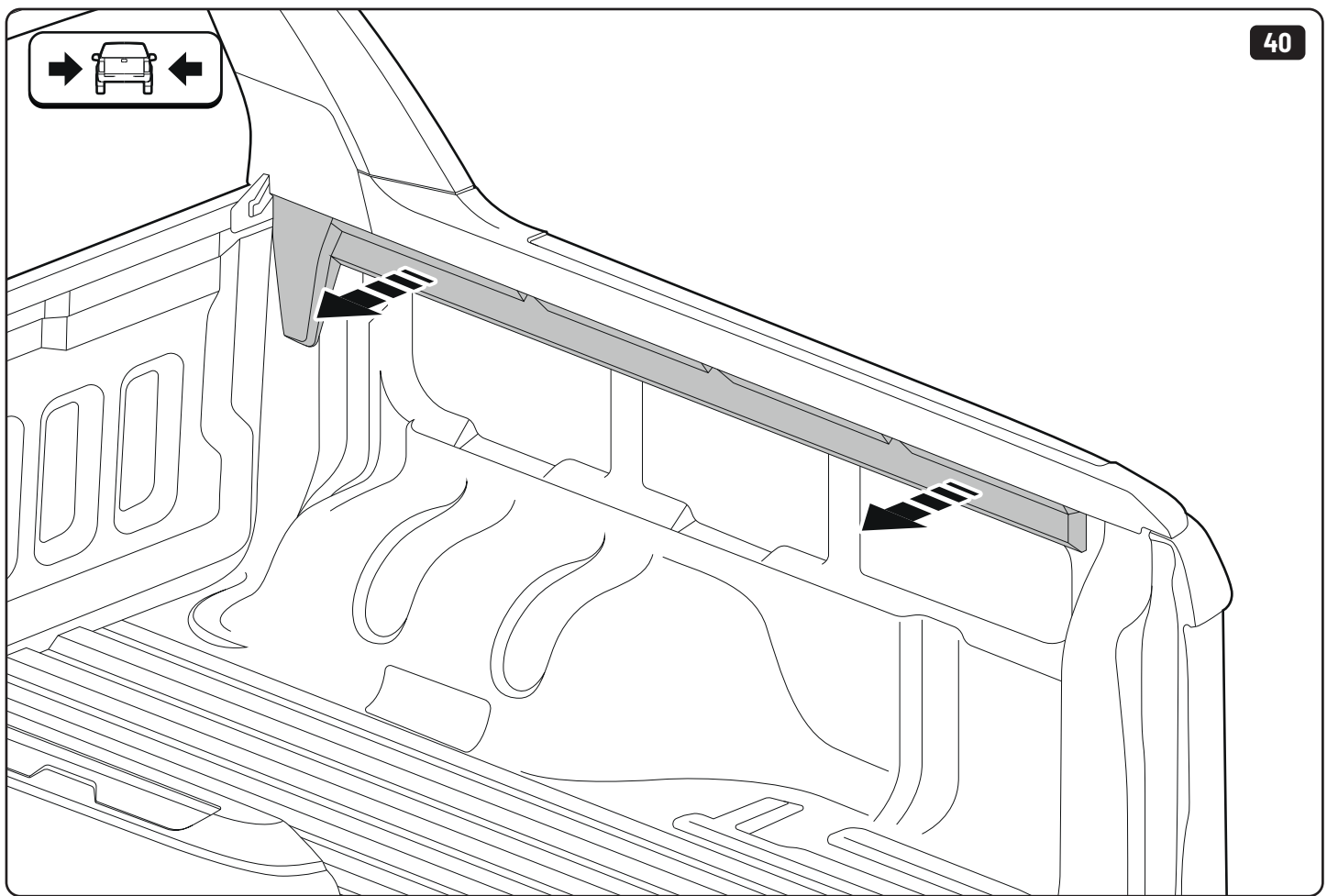
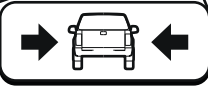








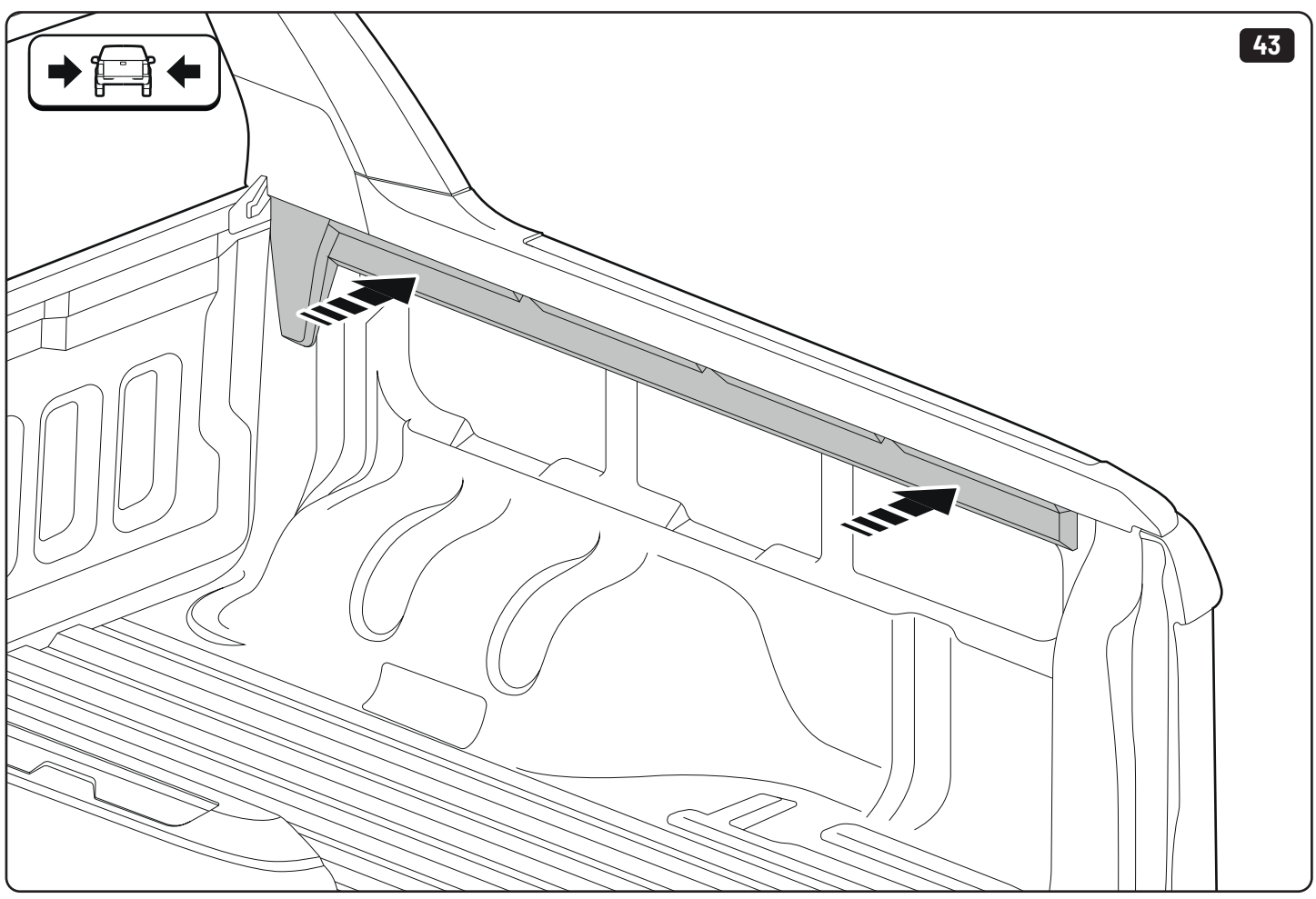
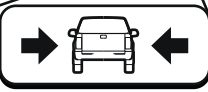
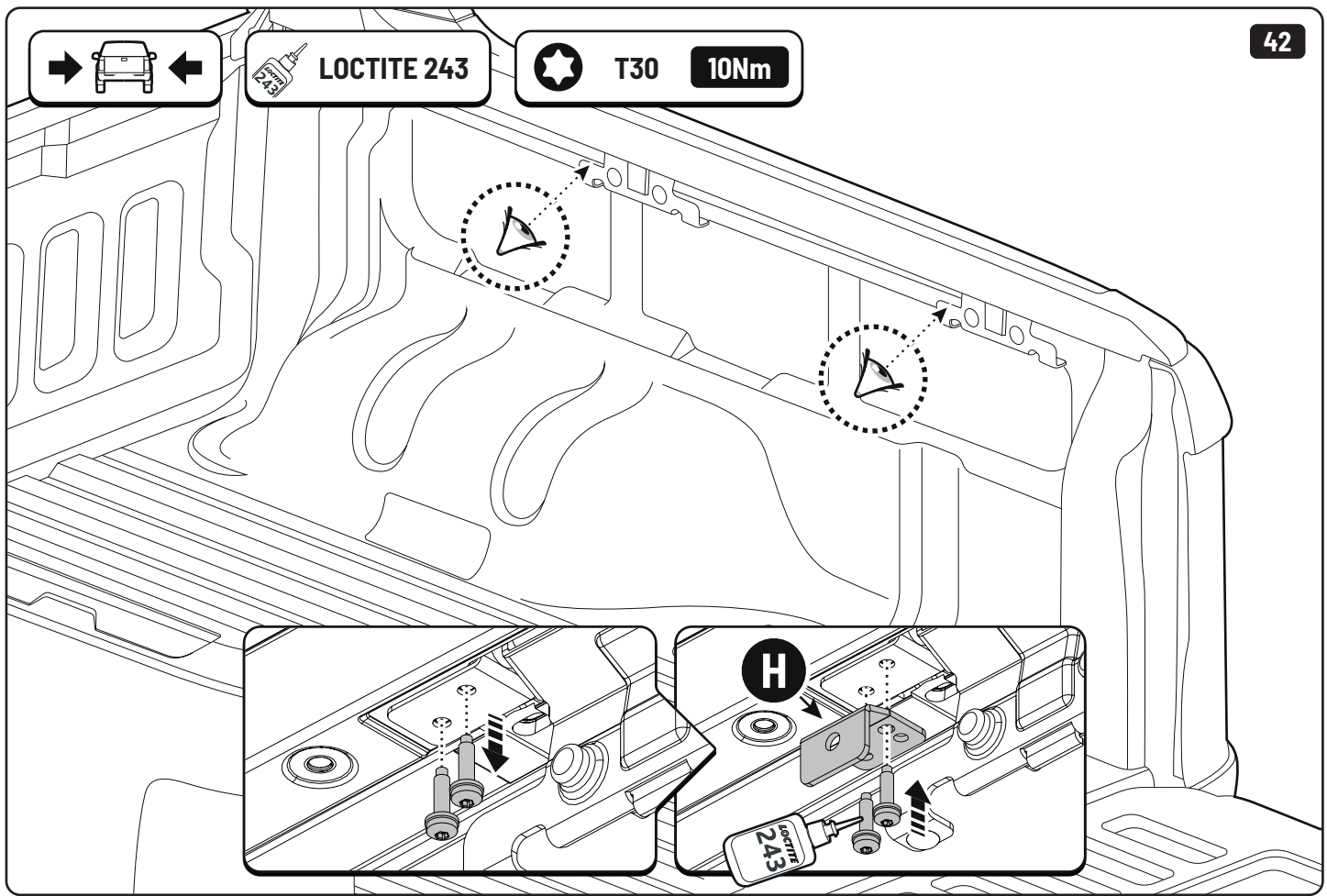


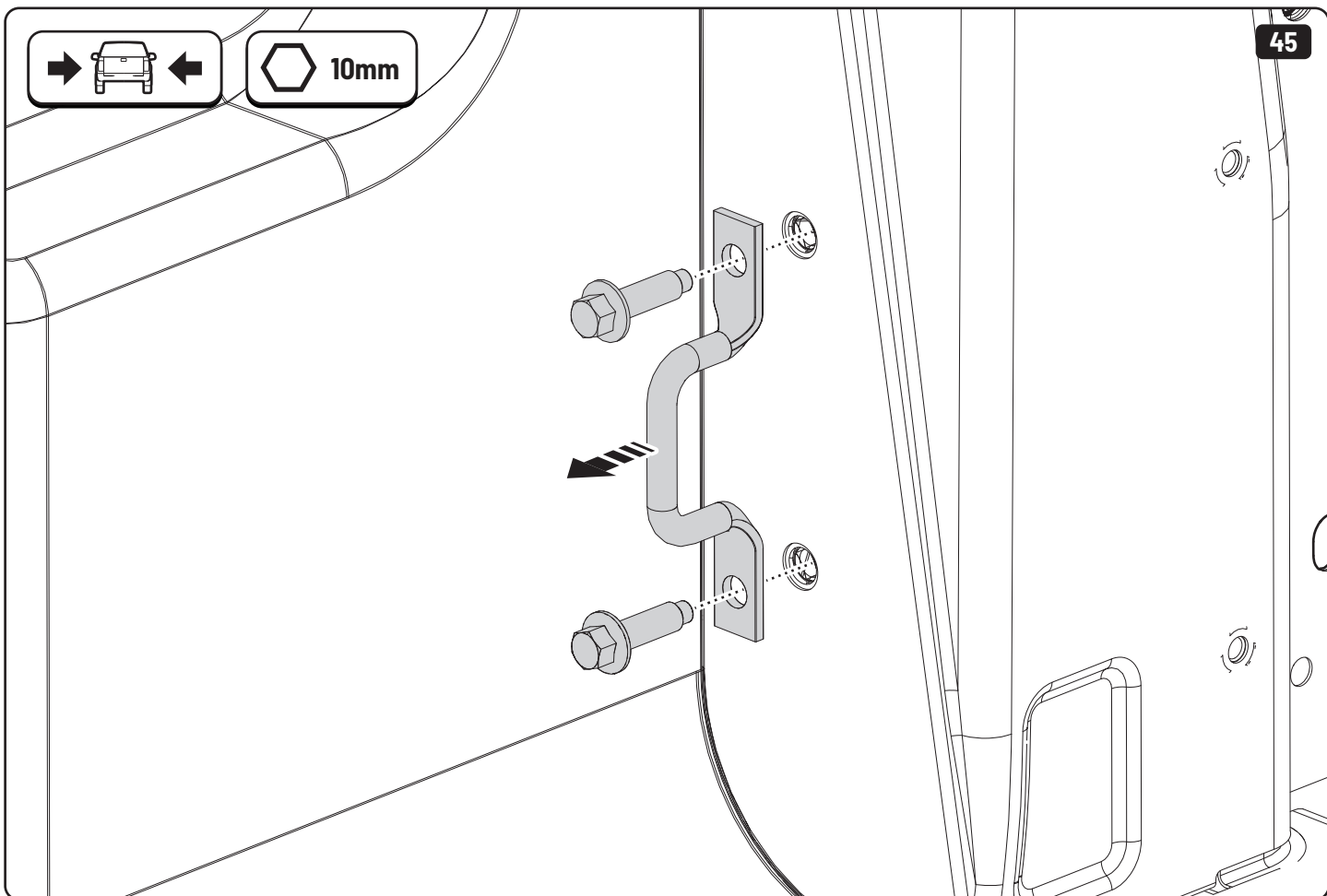
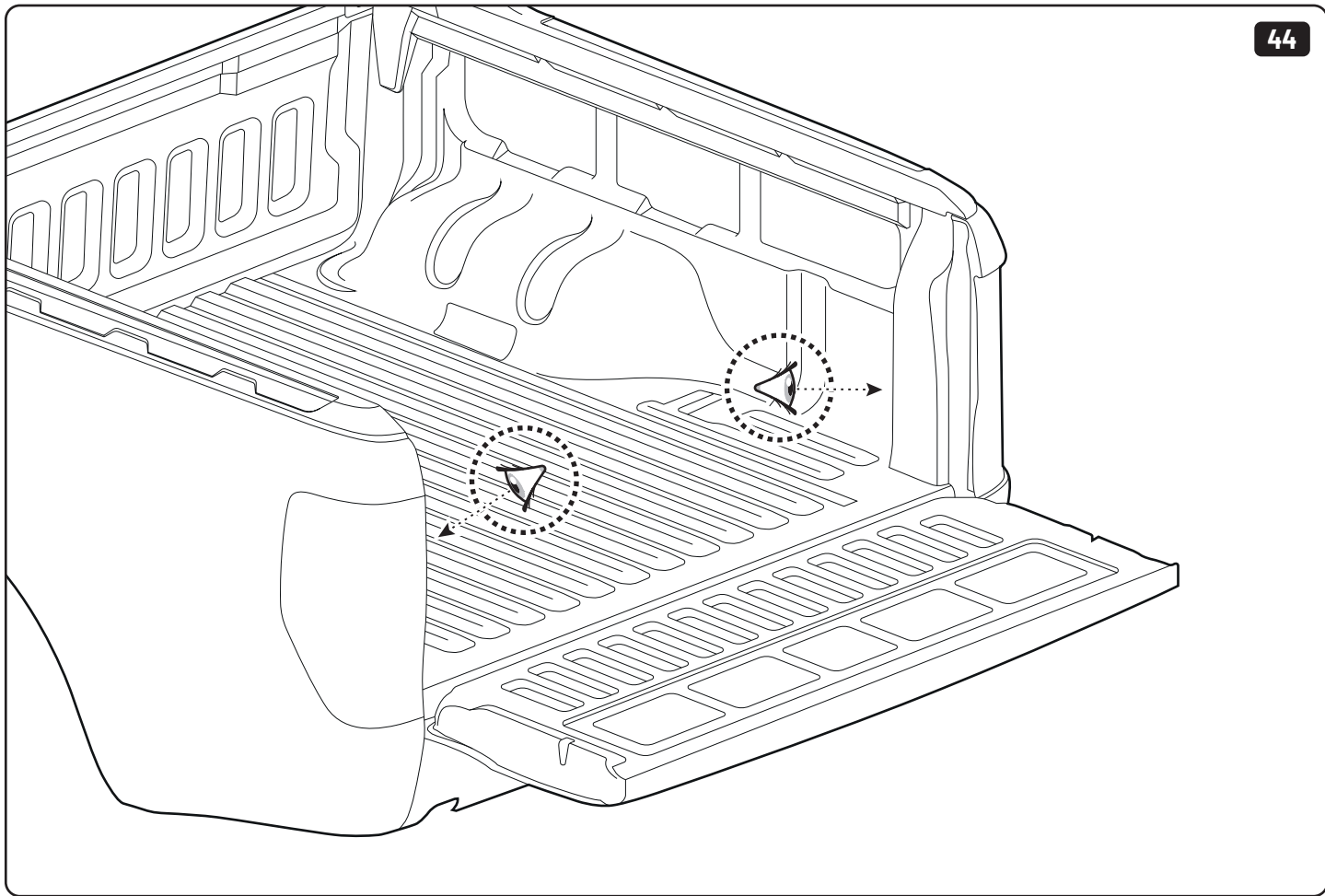




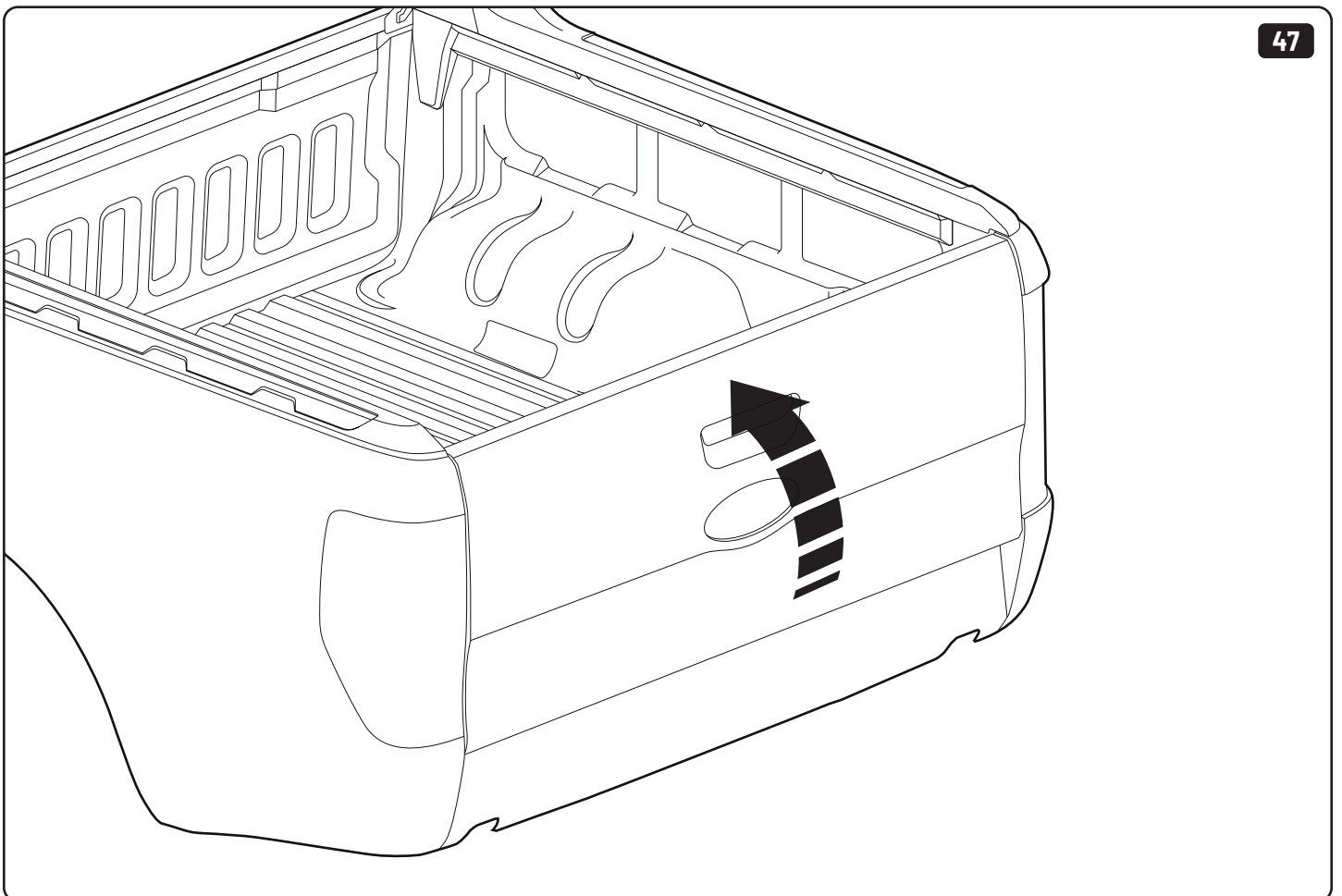
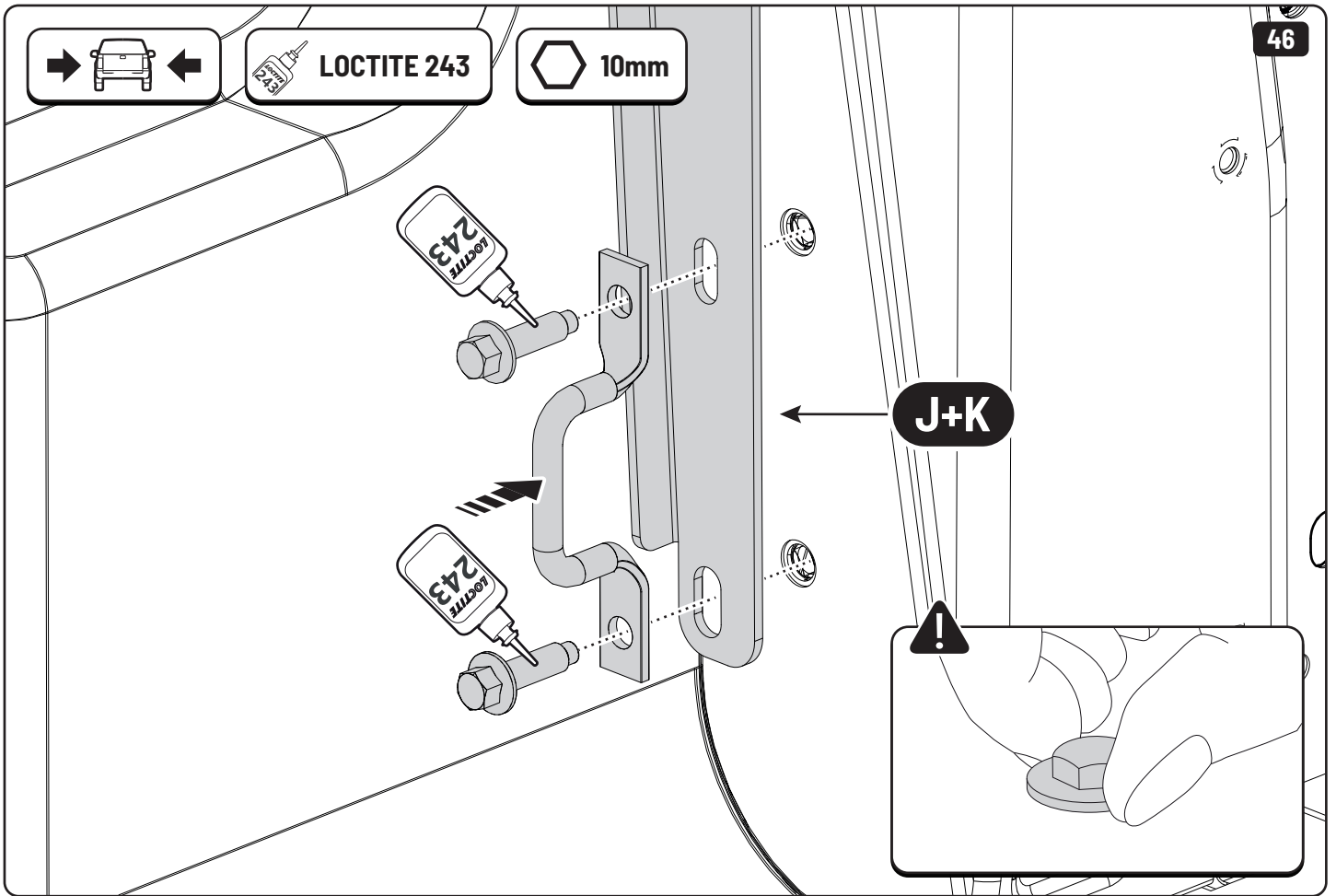
LOCTITE 243

T30 10Nm

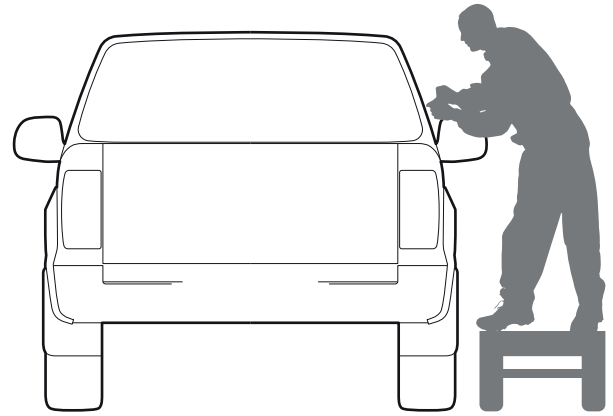
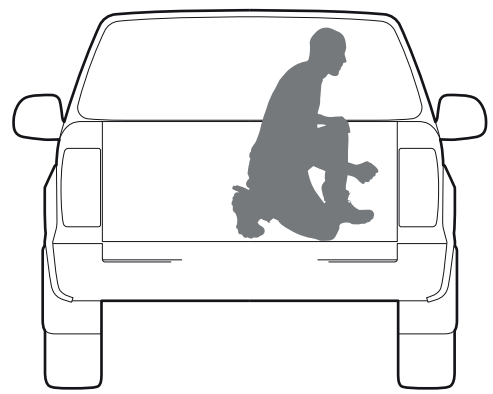
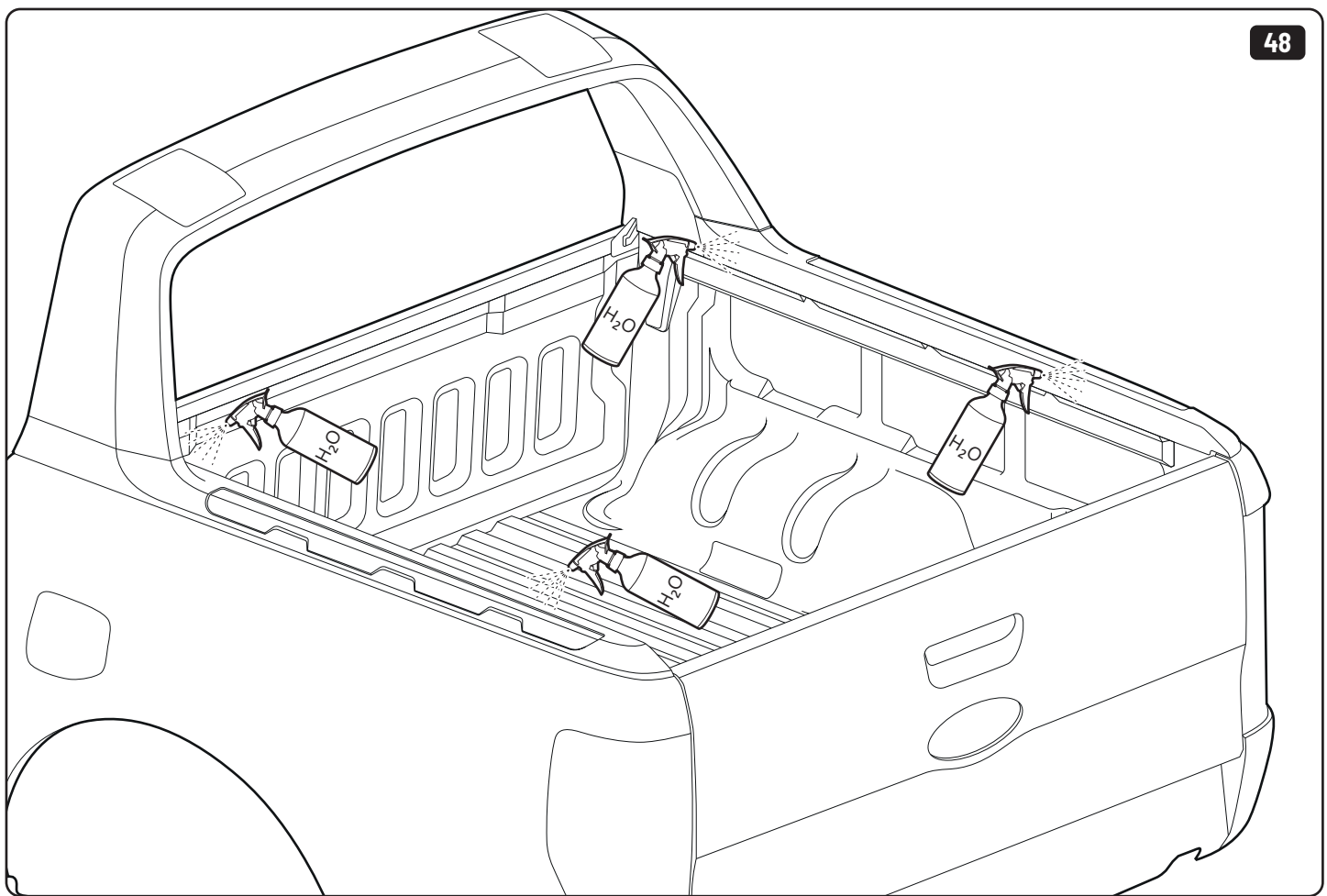


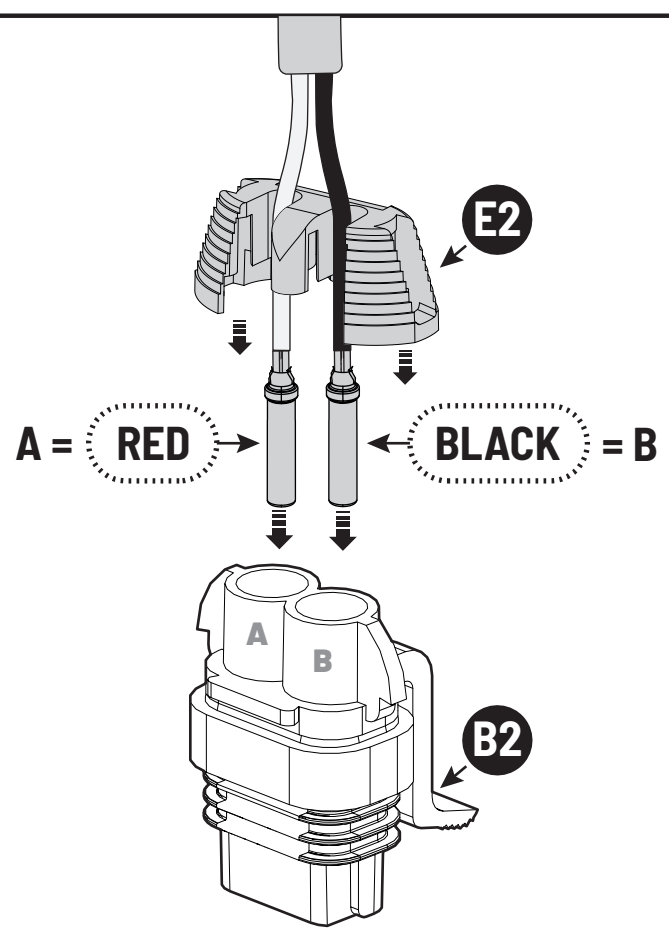
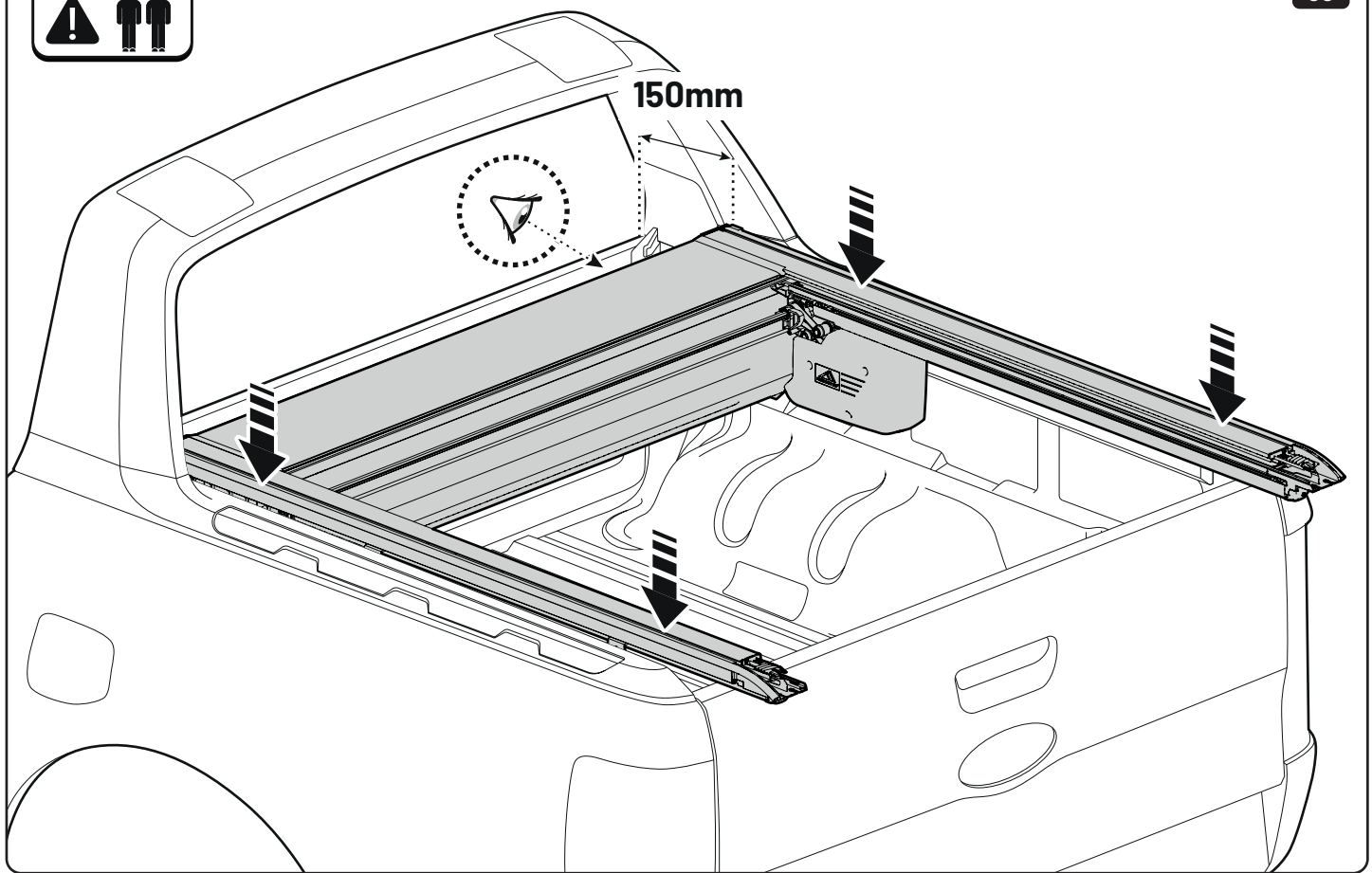


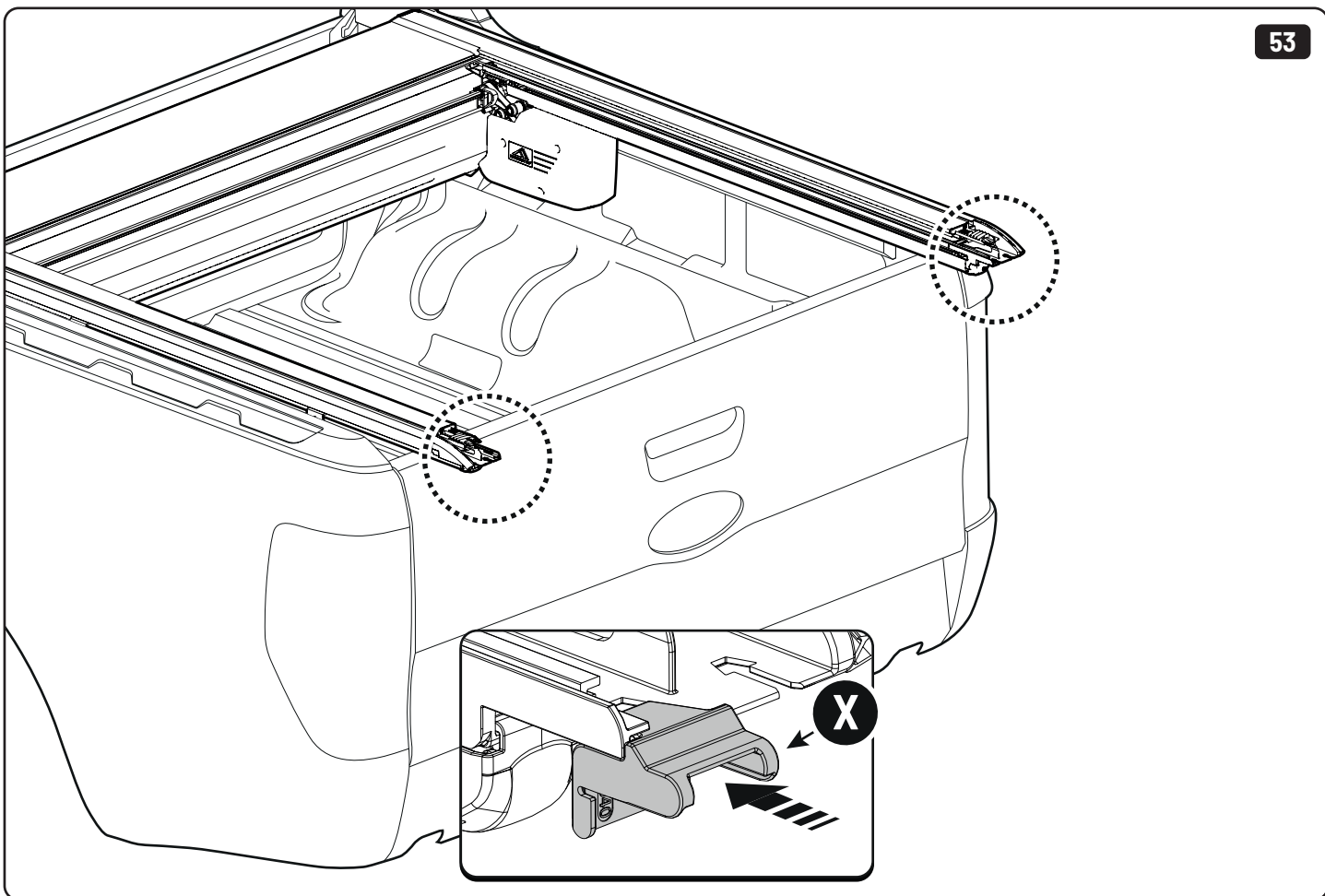
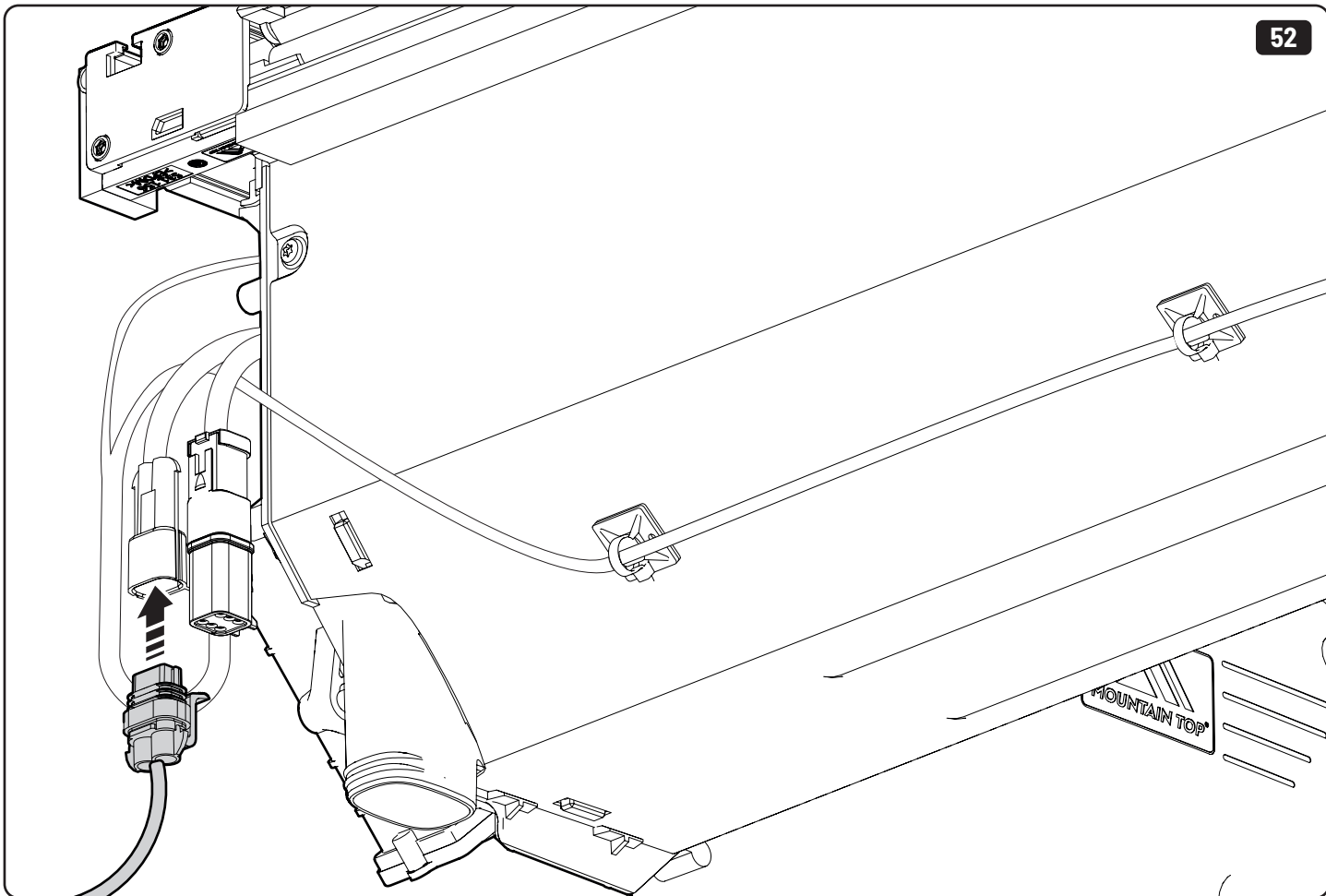


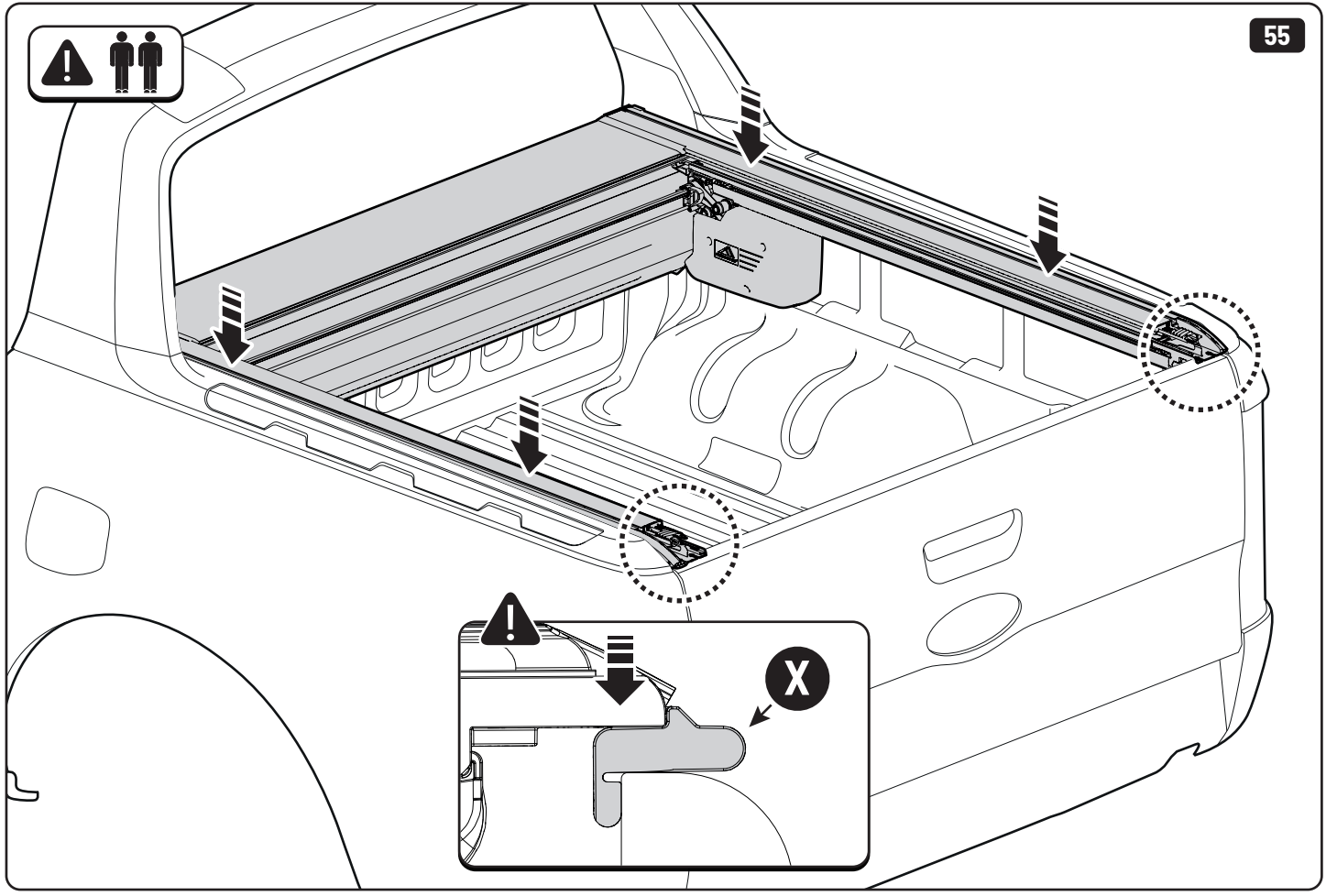
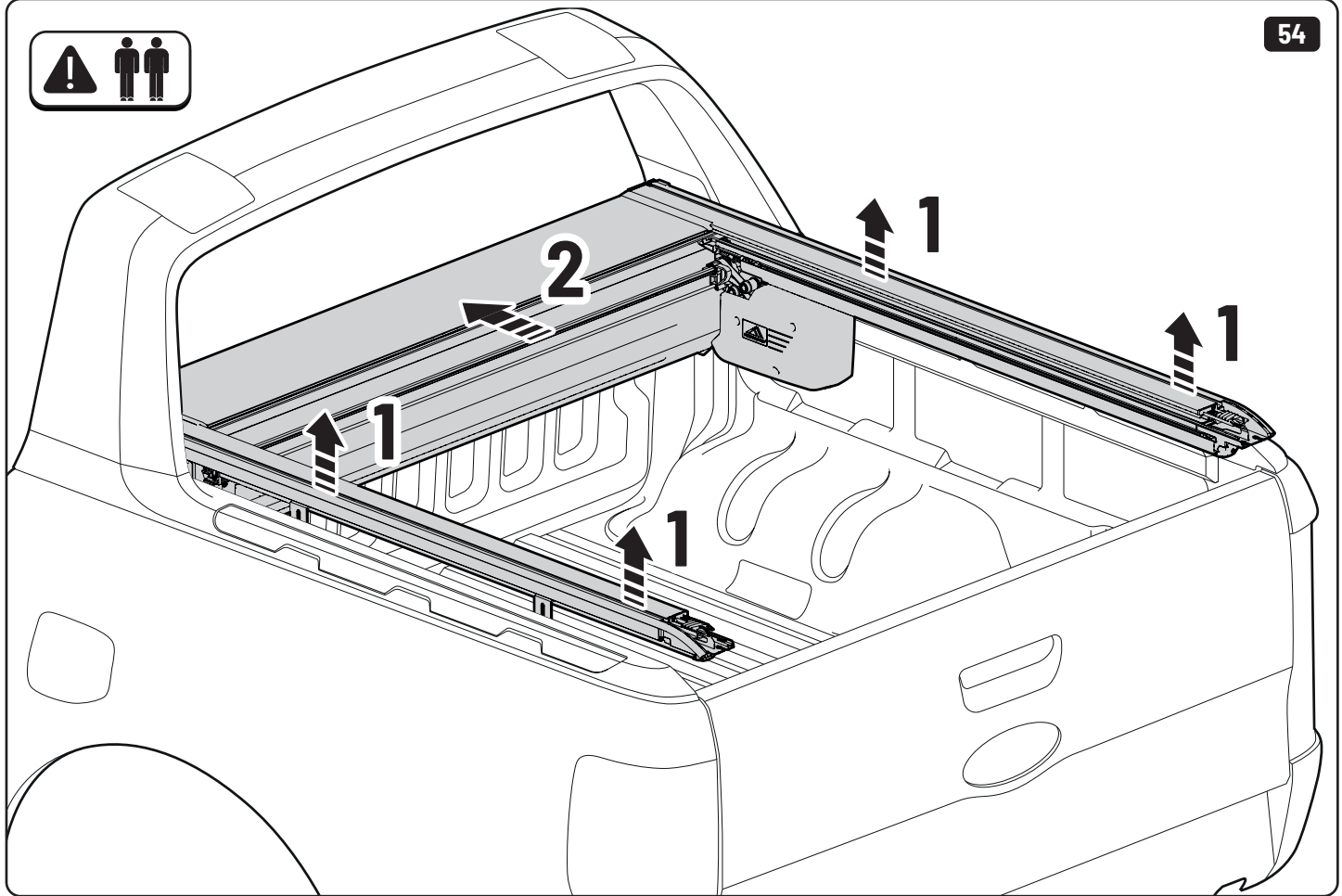


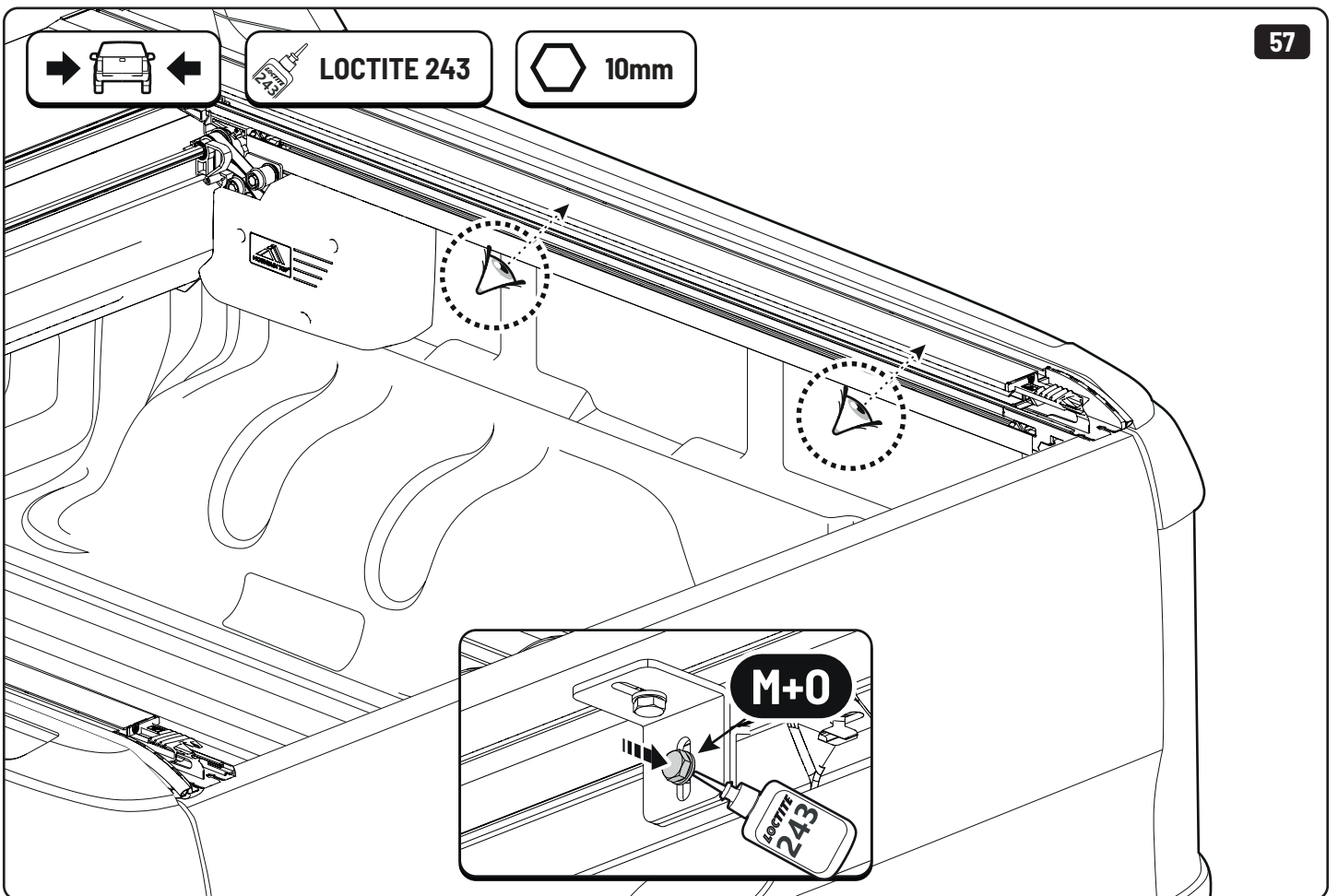
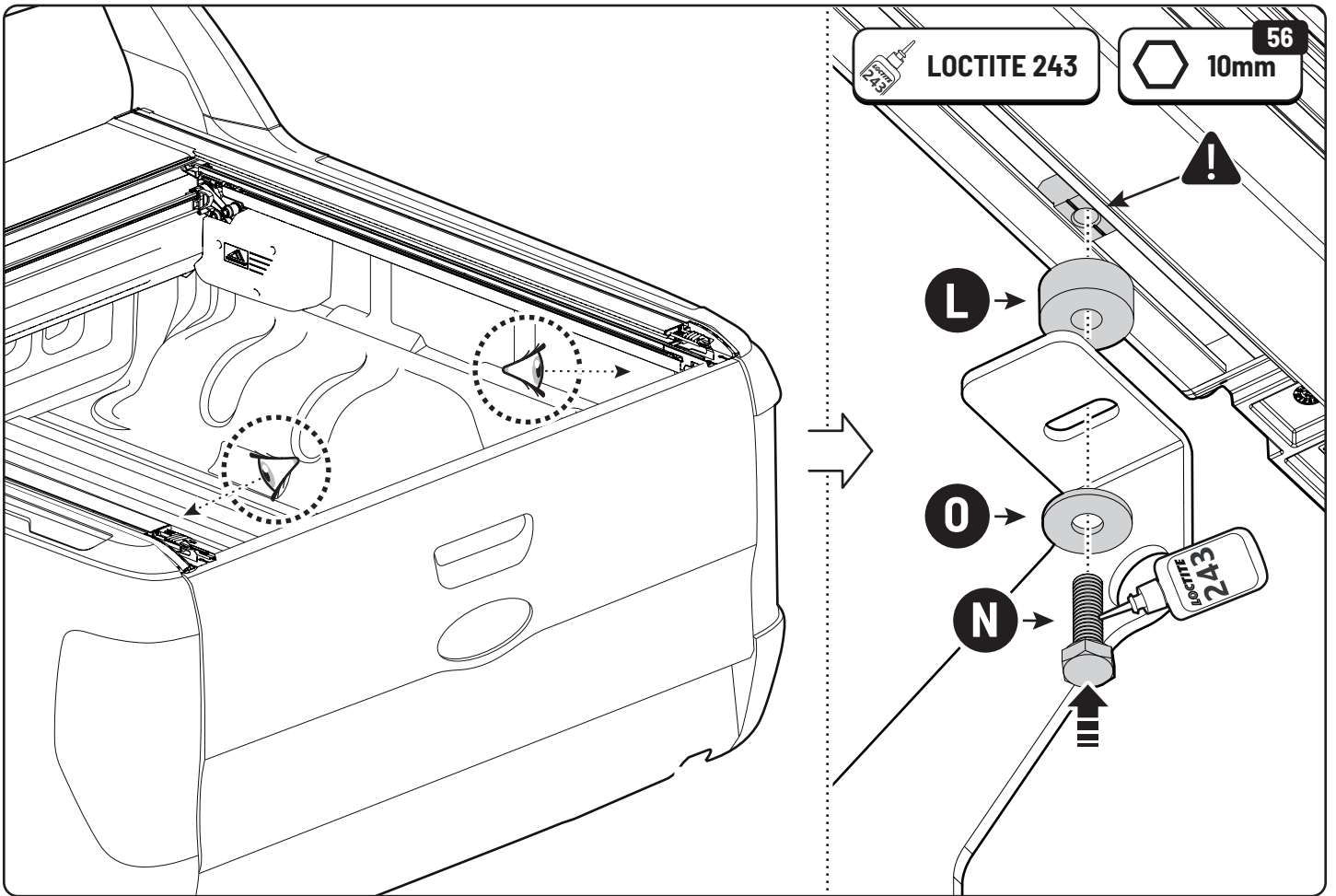


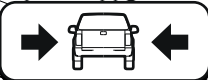




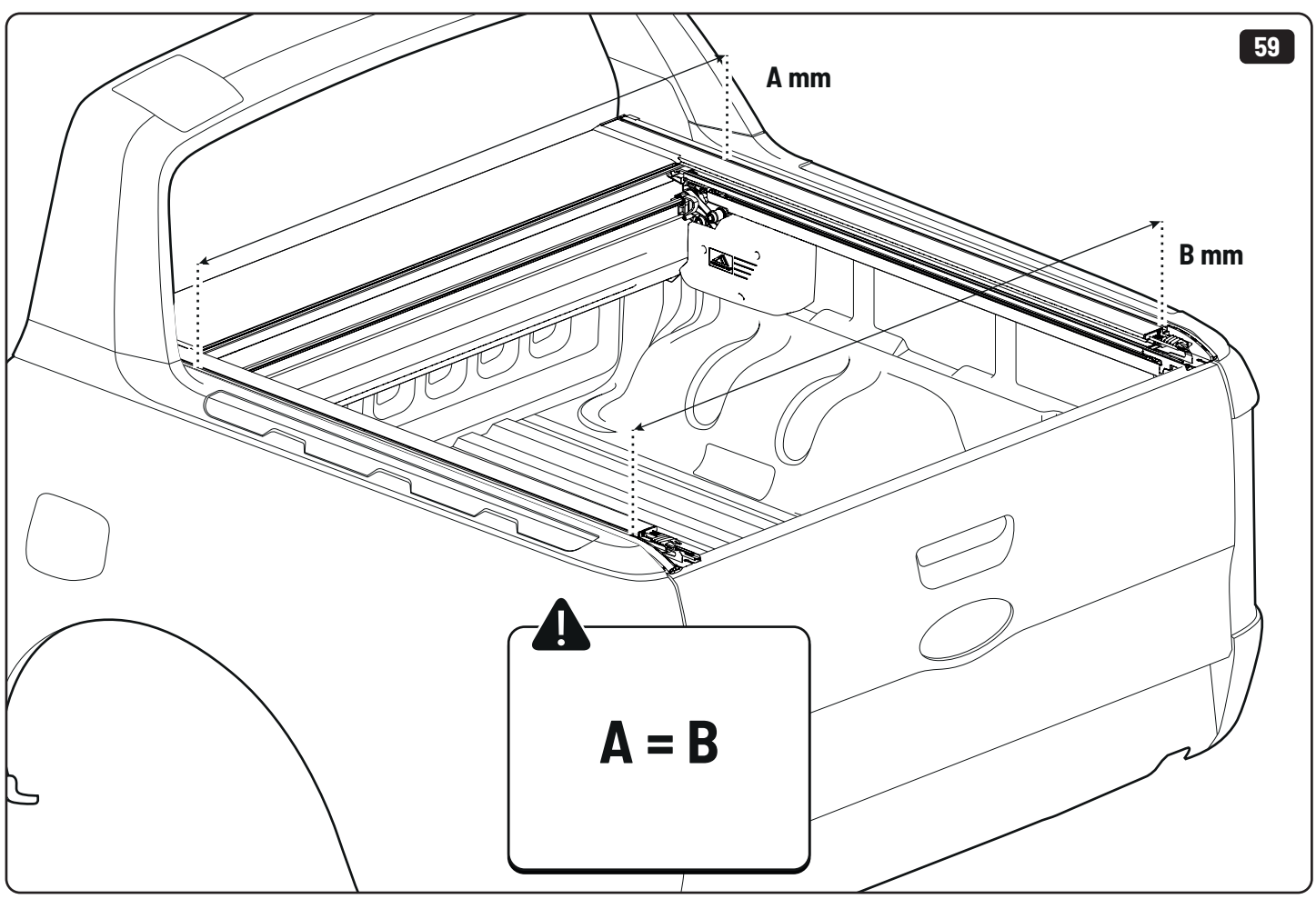
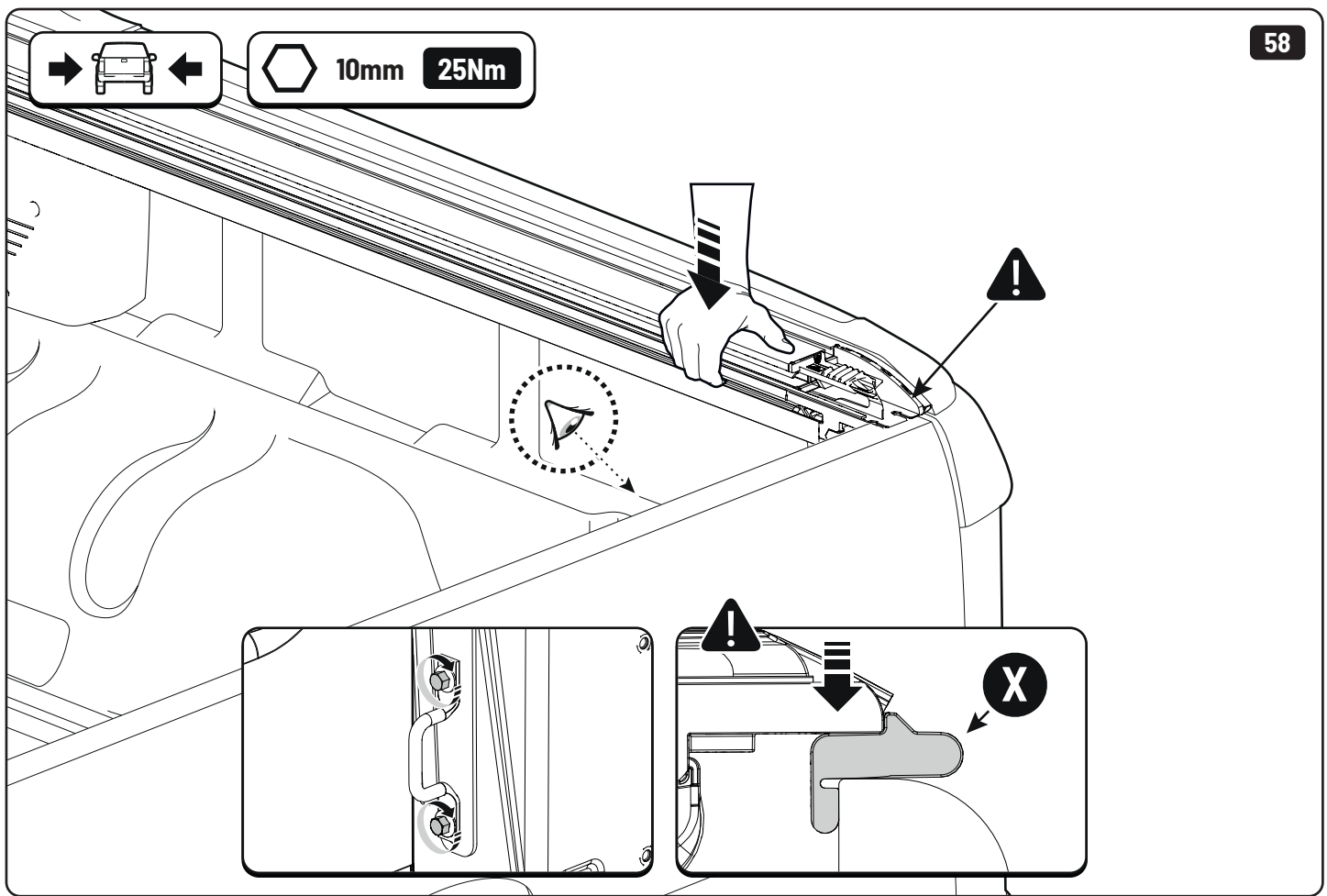






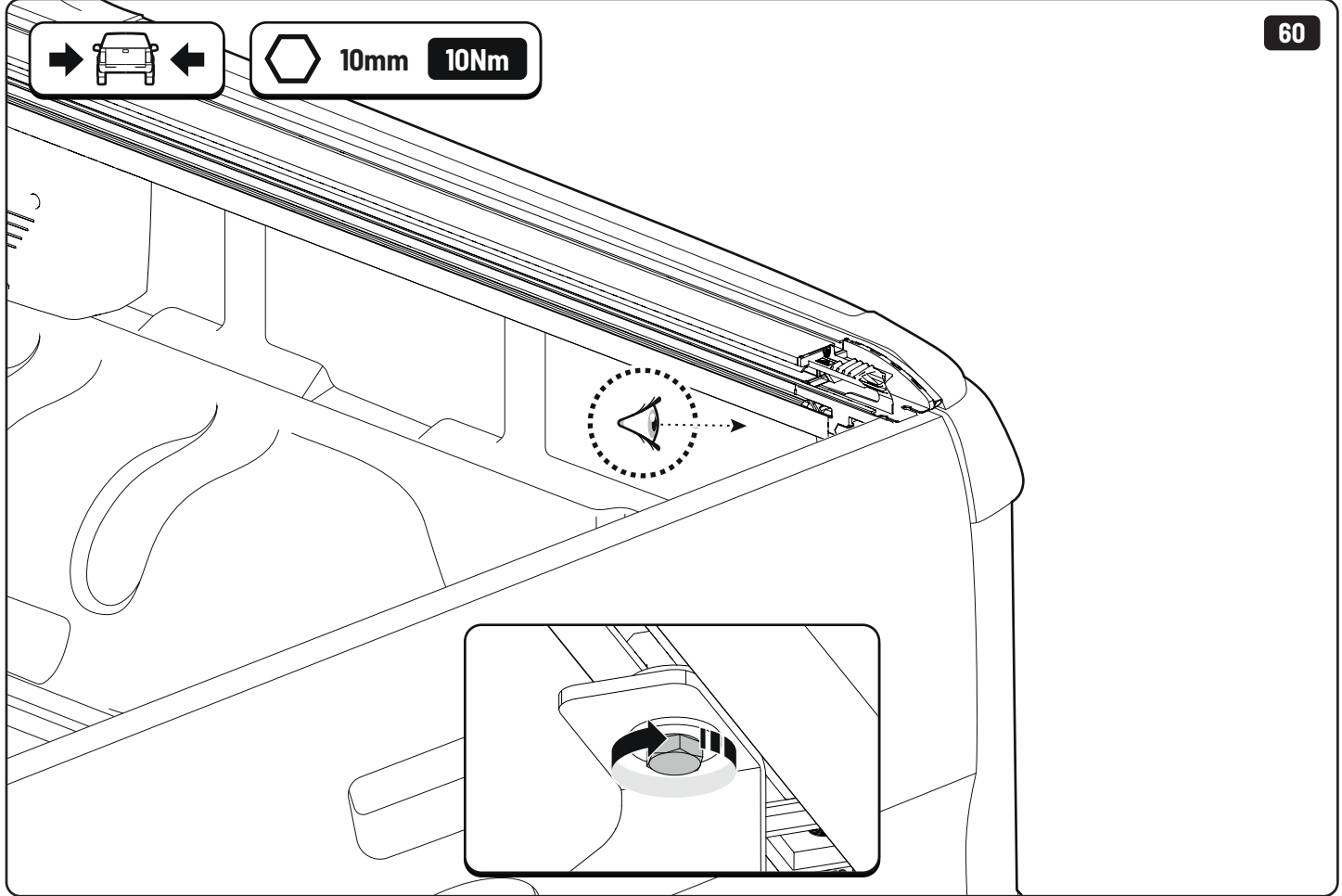


10mm 25Nm

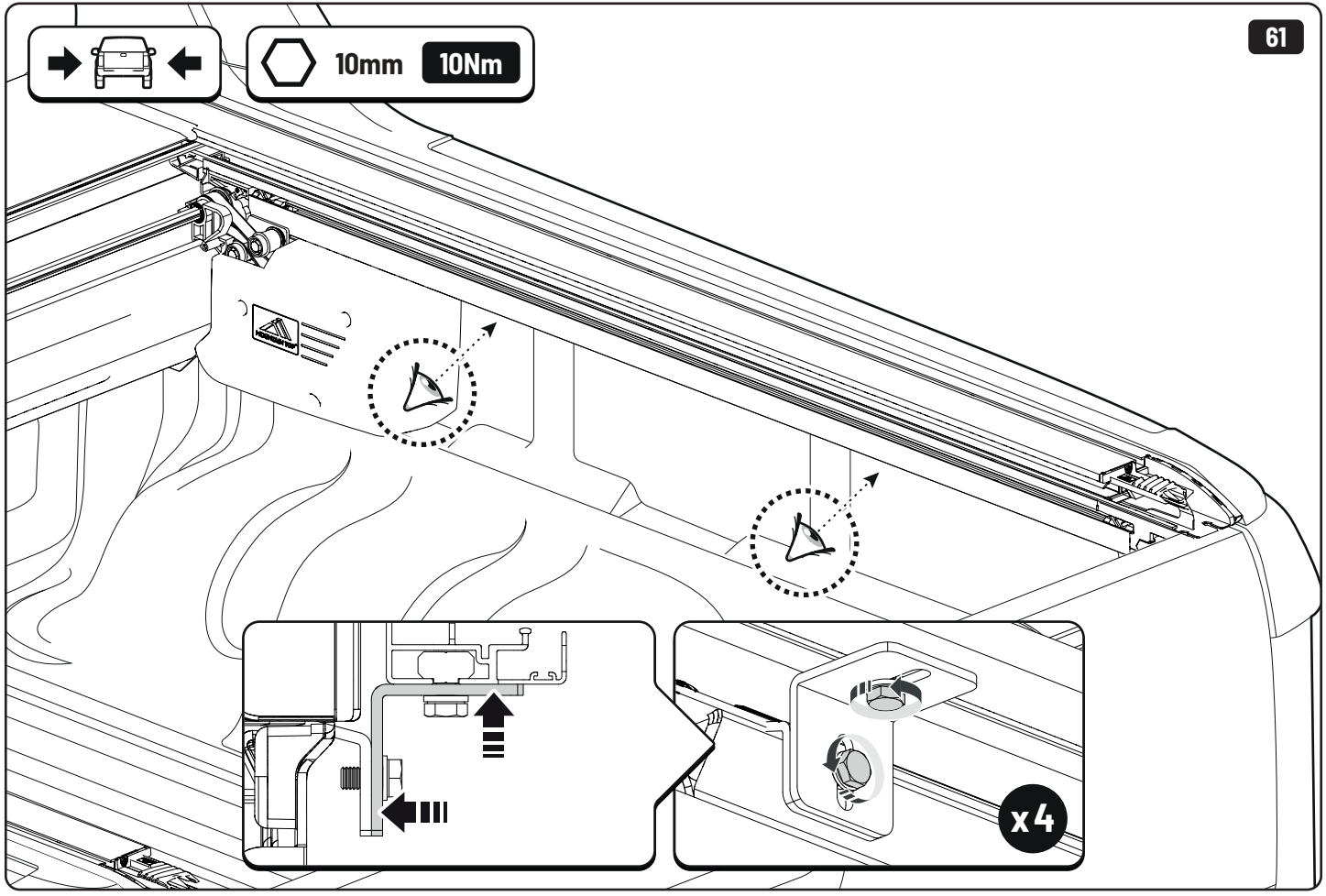


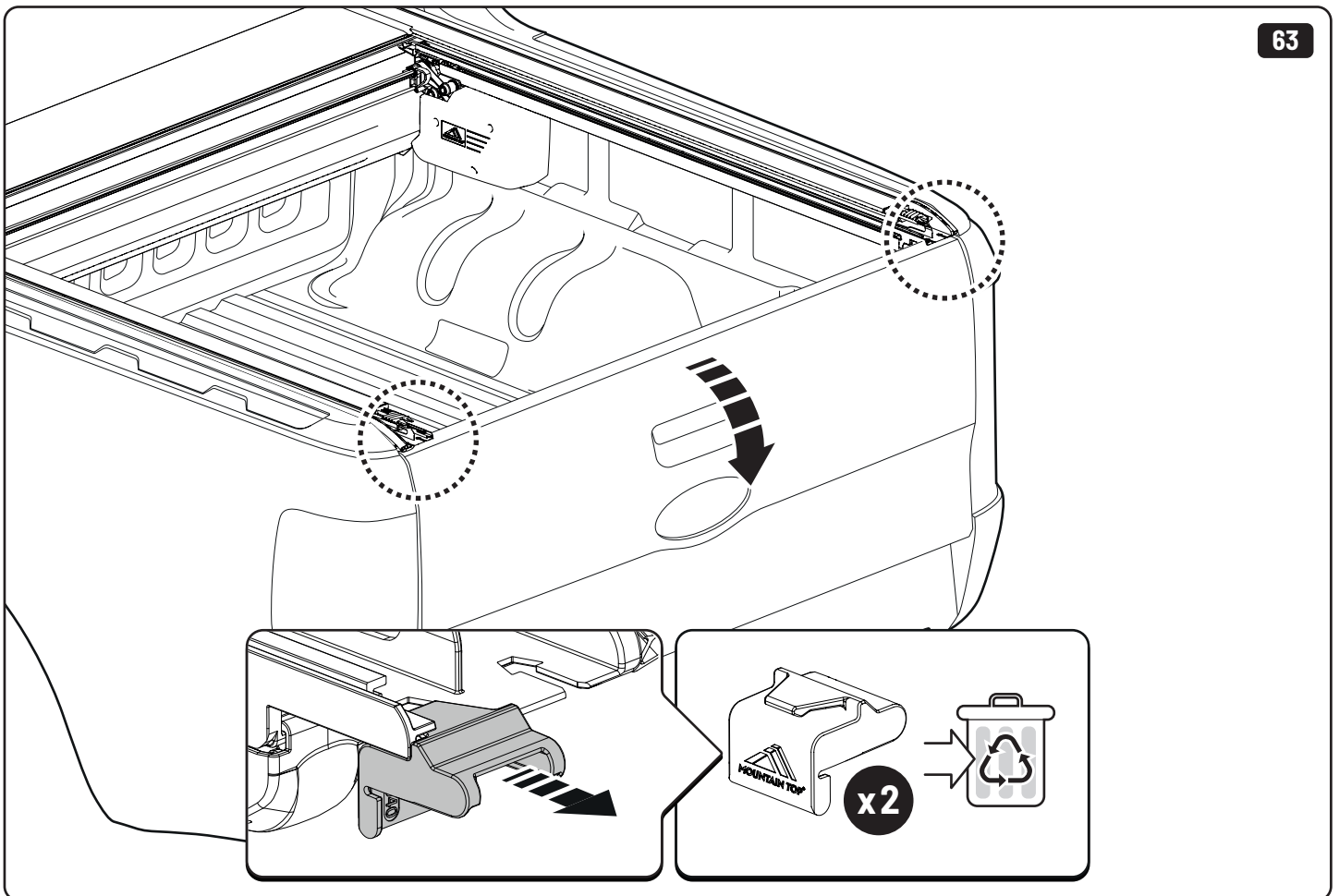
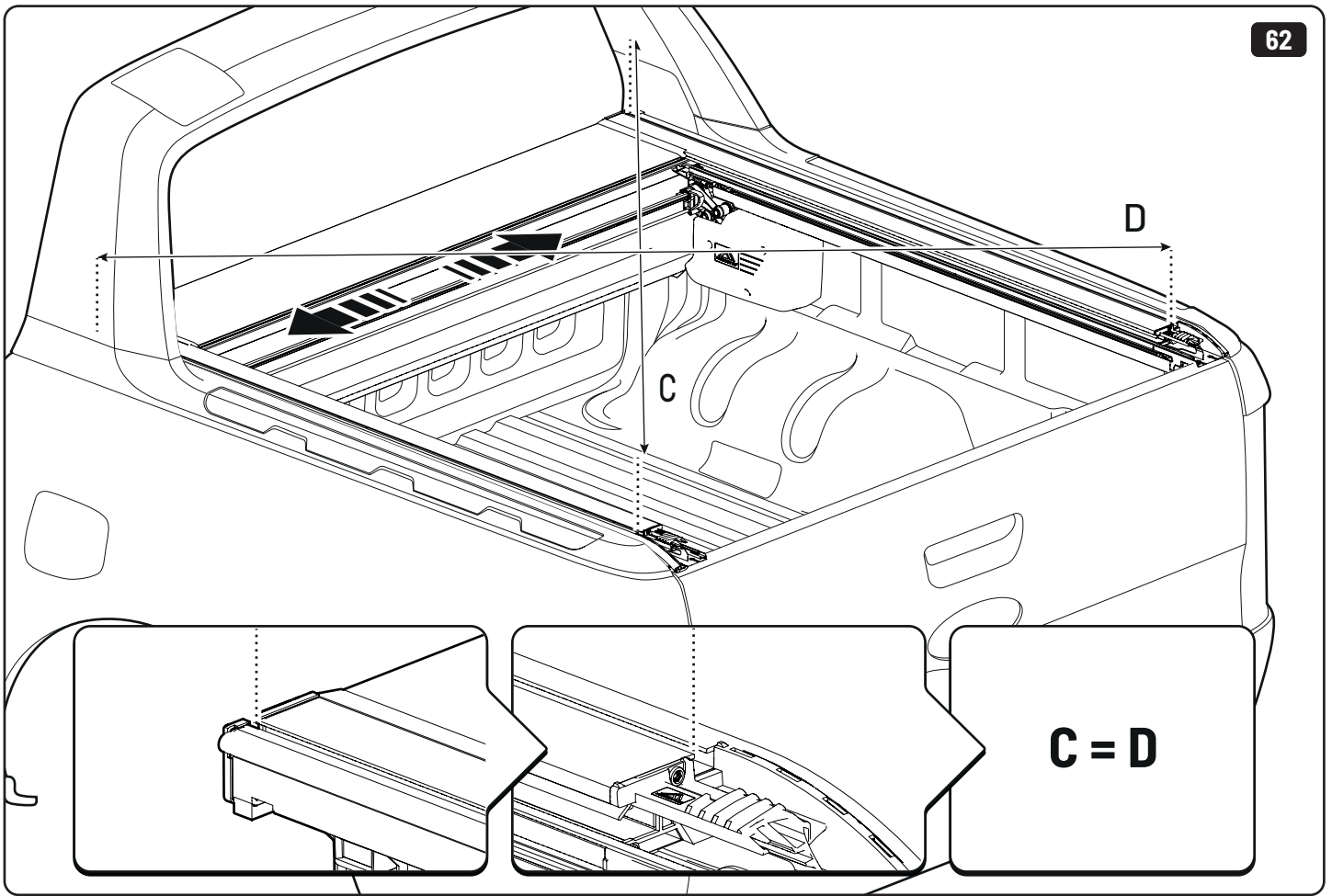


→  ←     10mm    10Nm

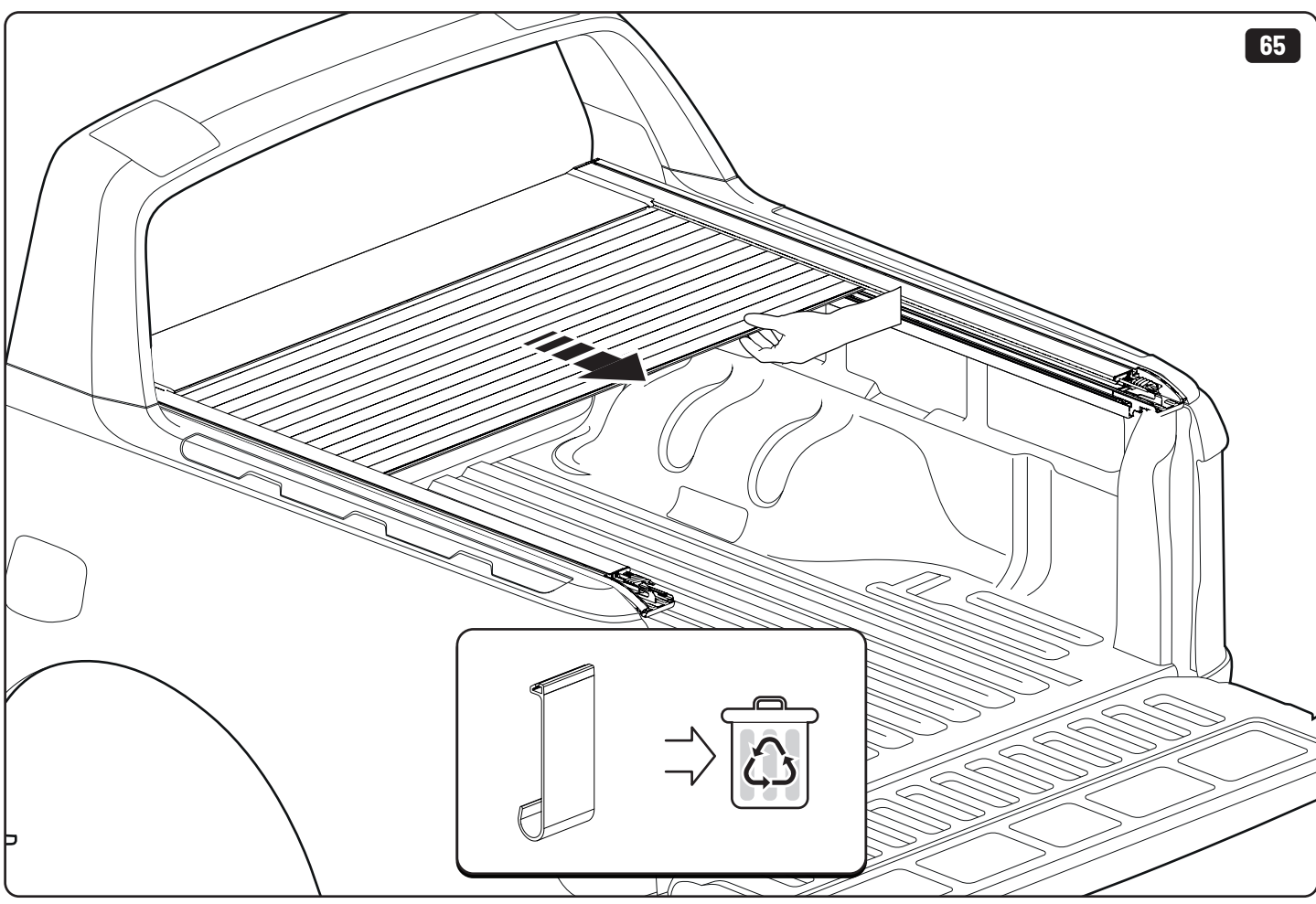
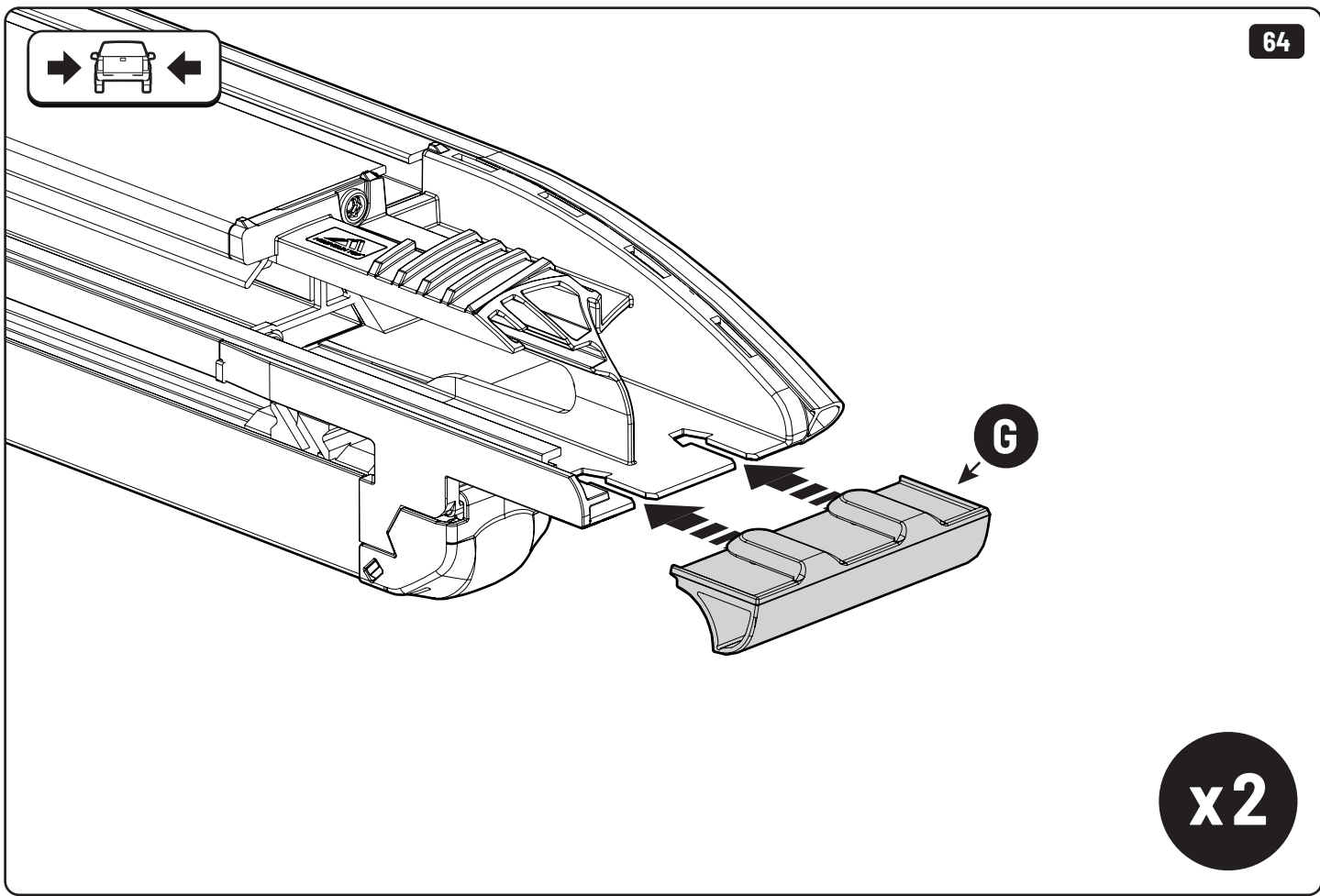


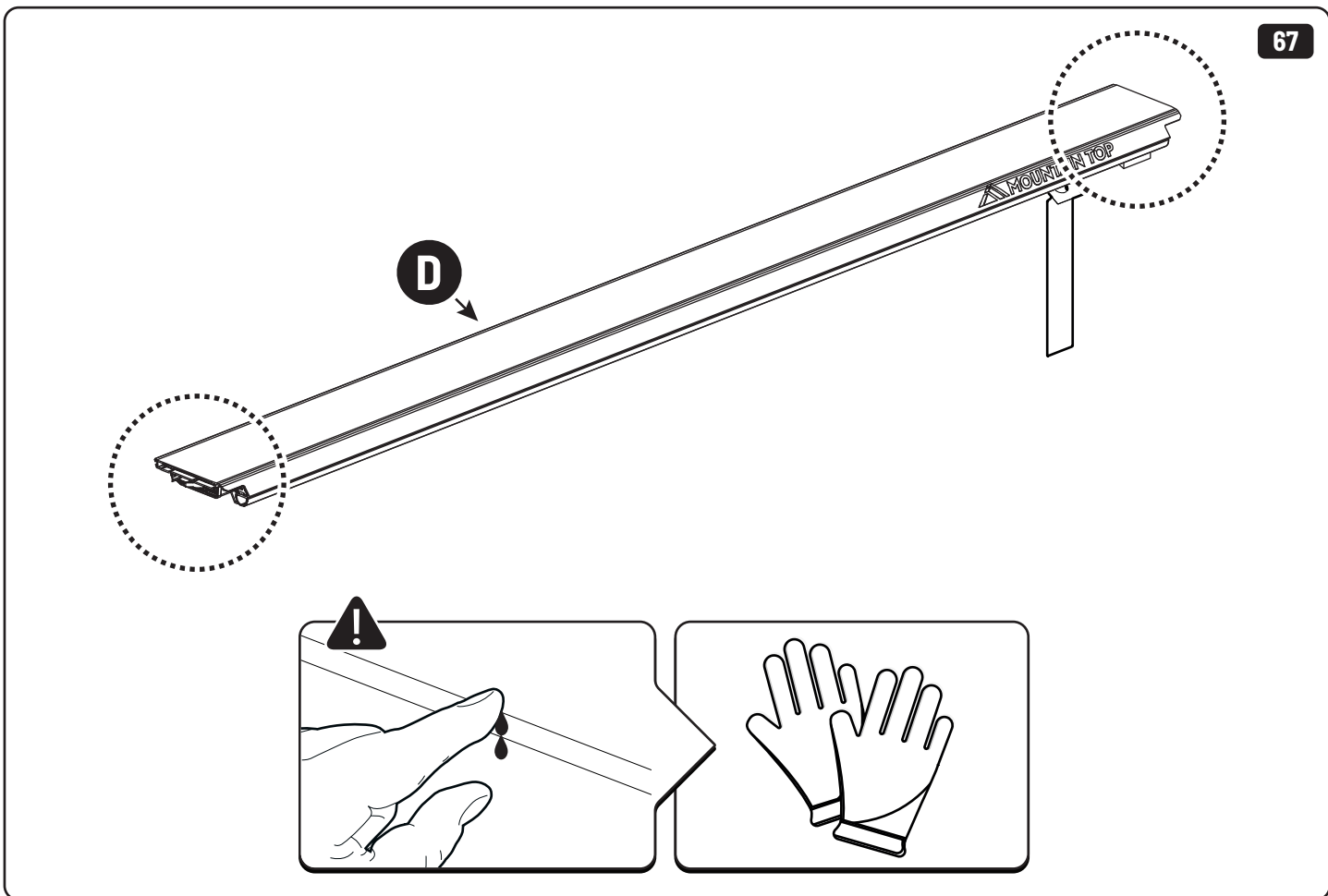
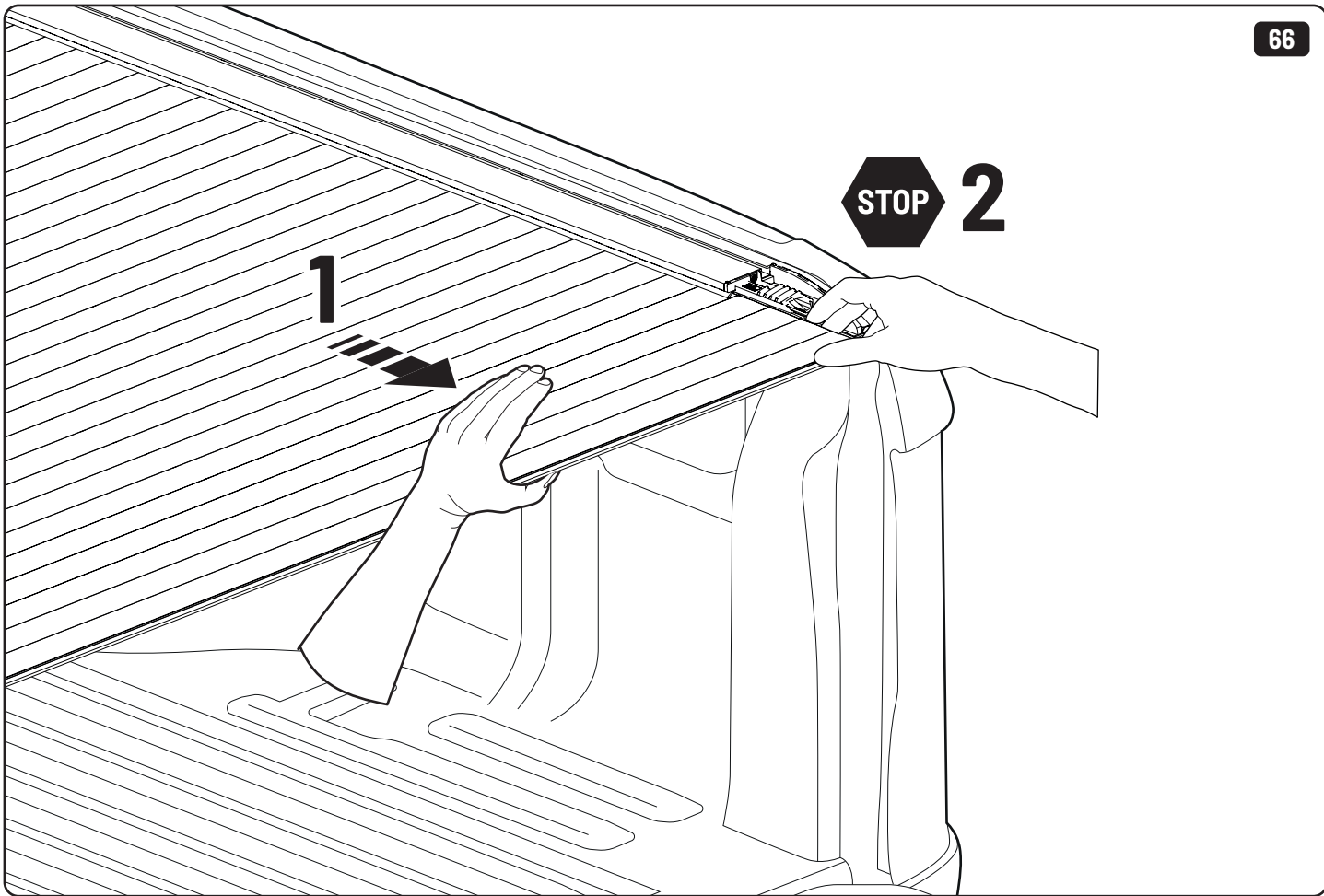
→  ←     10mm    10Nm

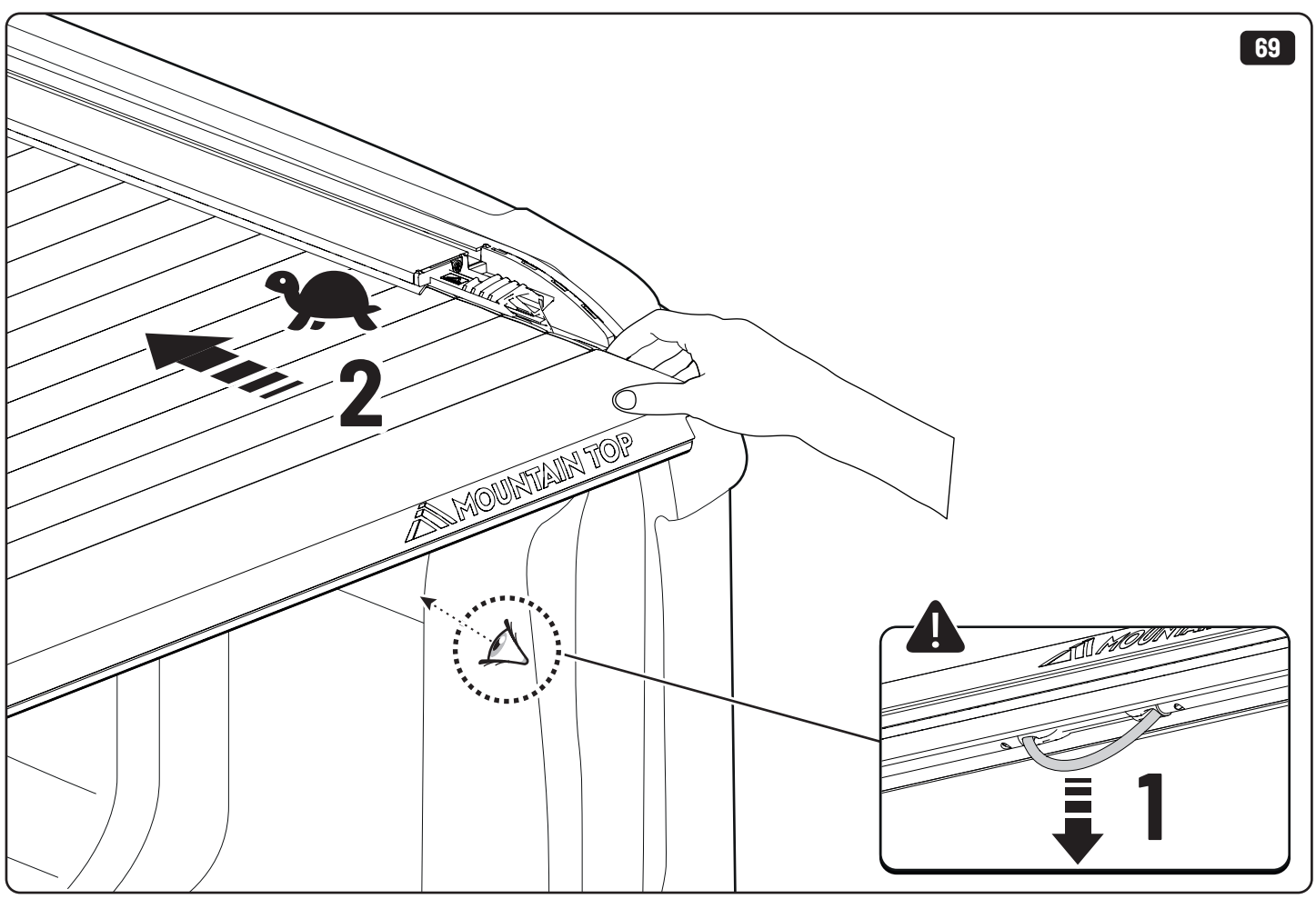
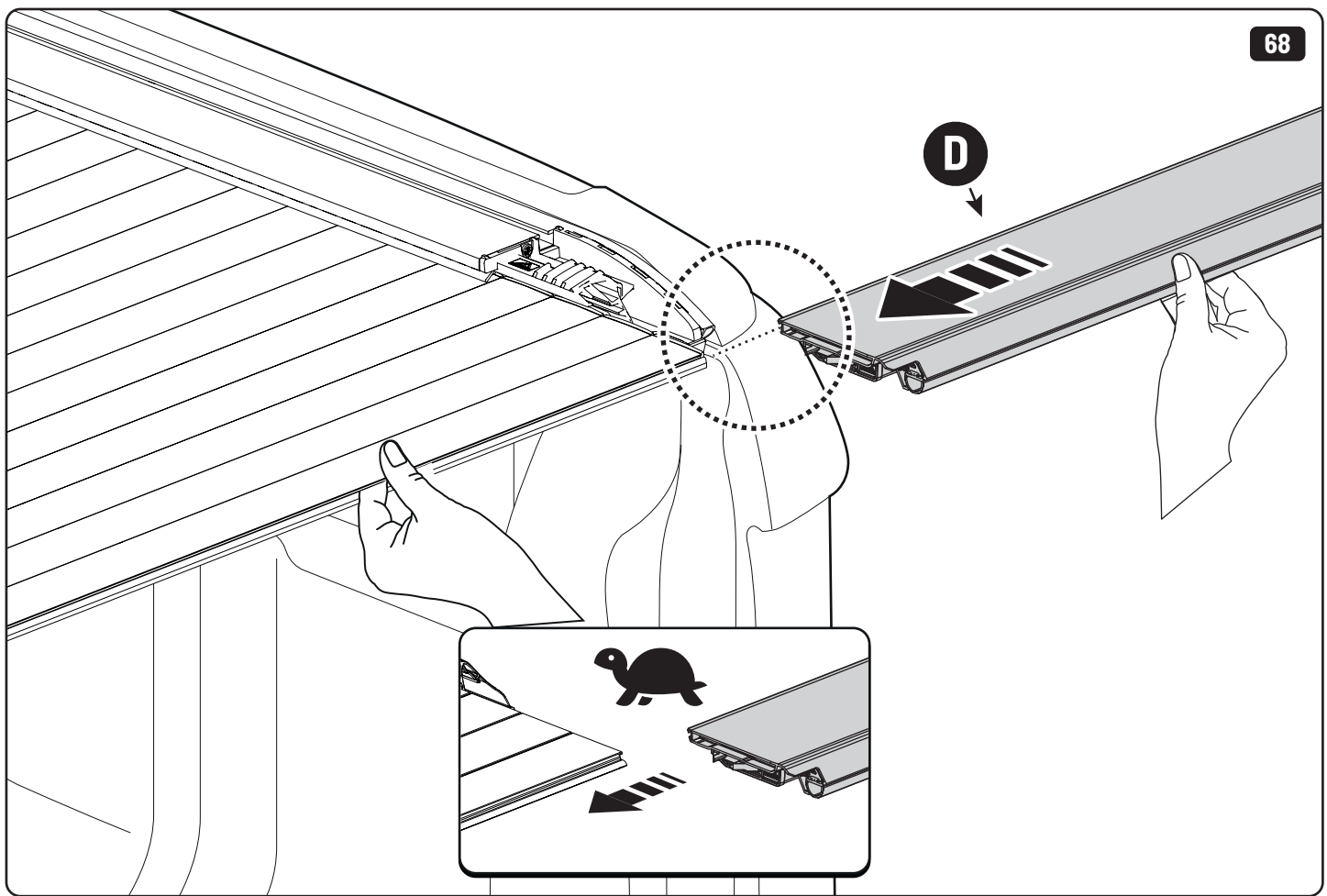


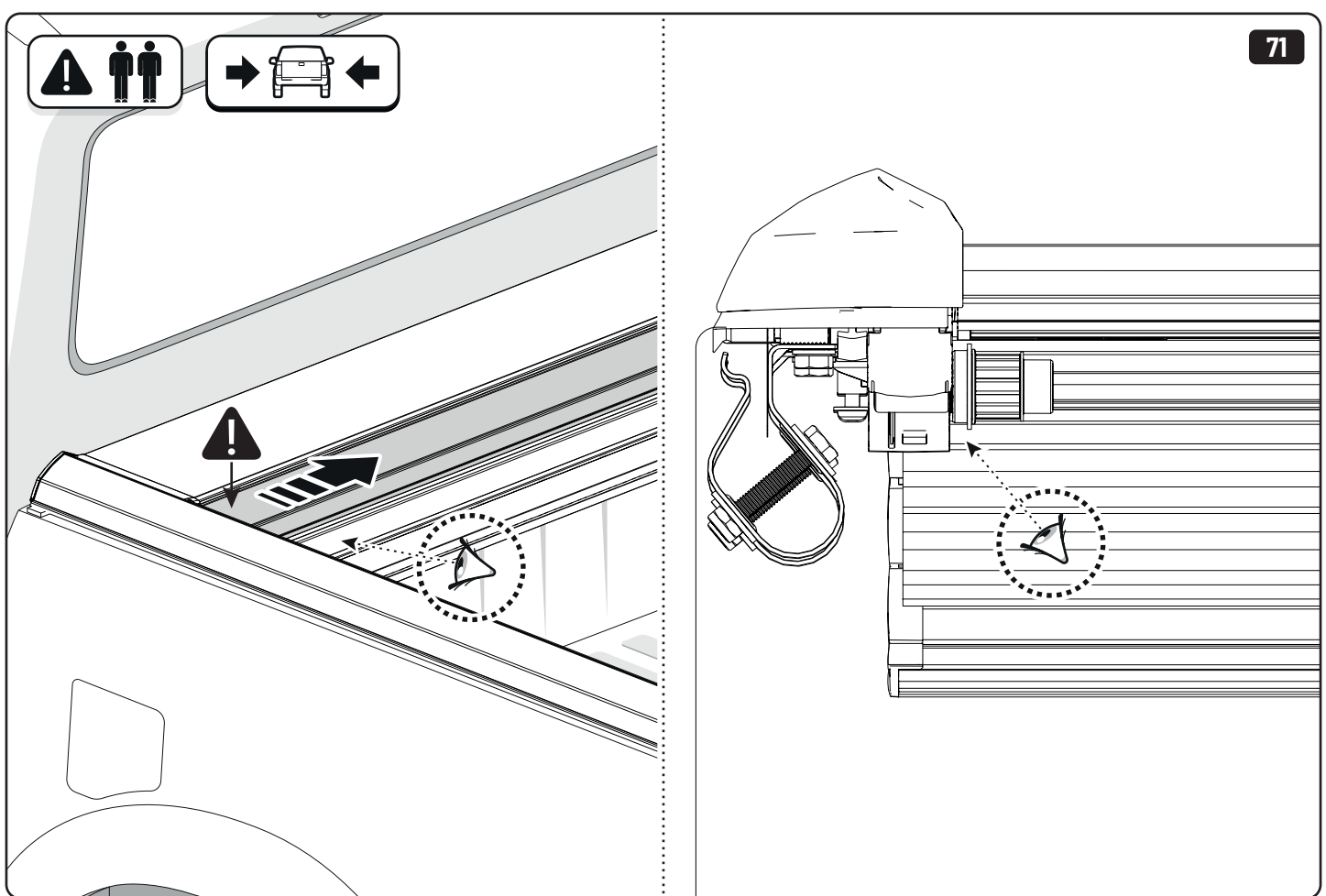
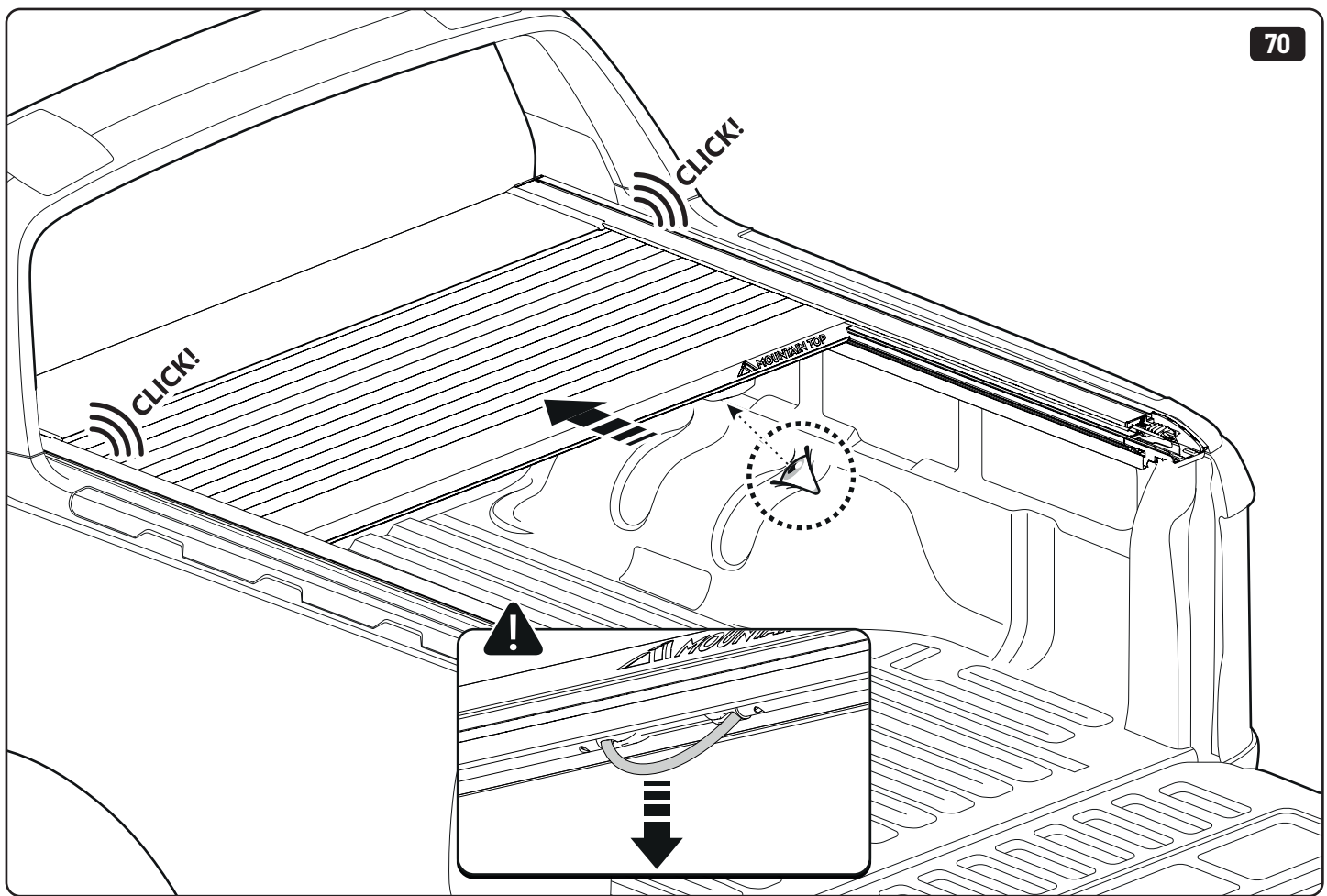


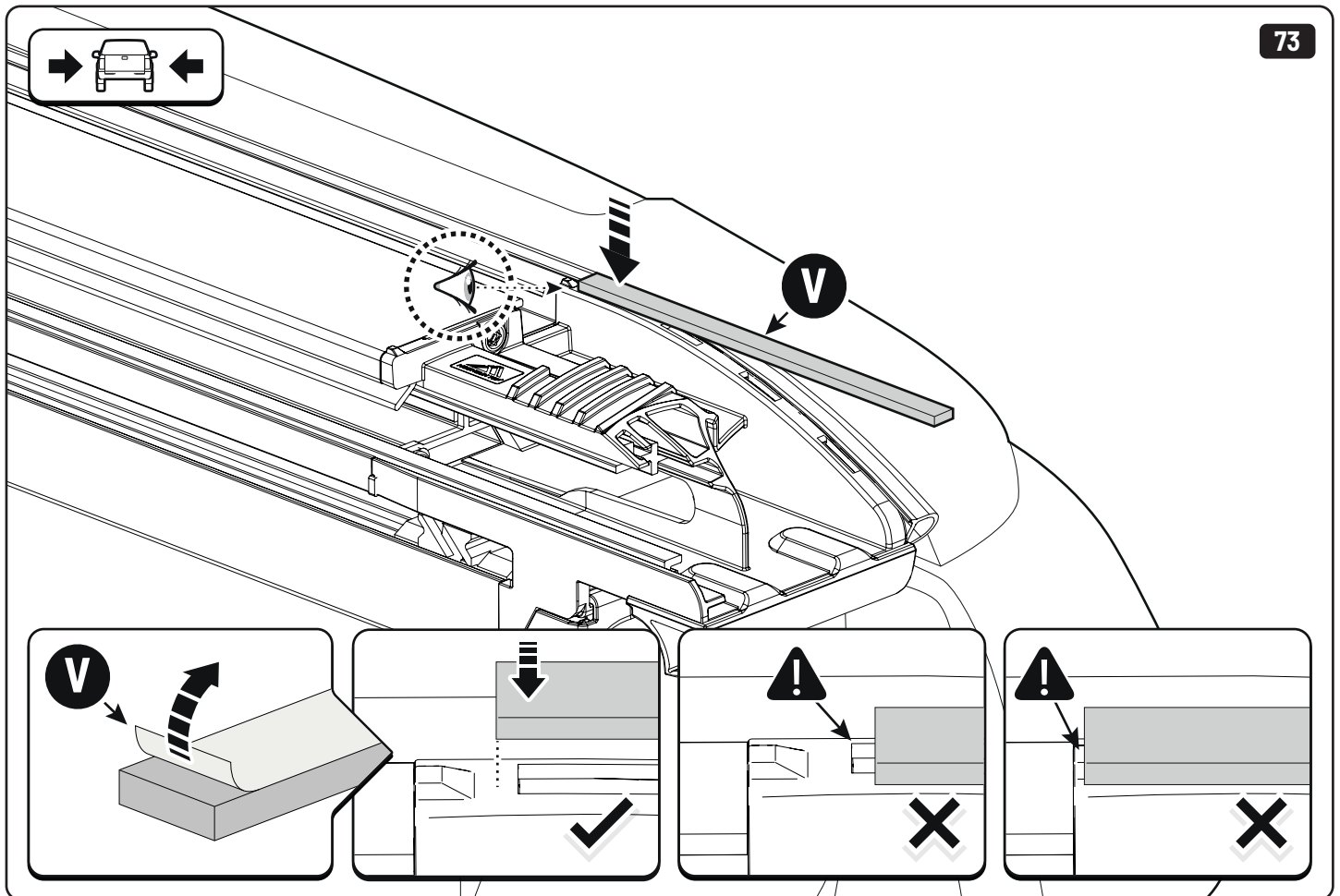
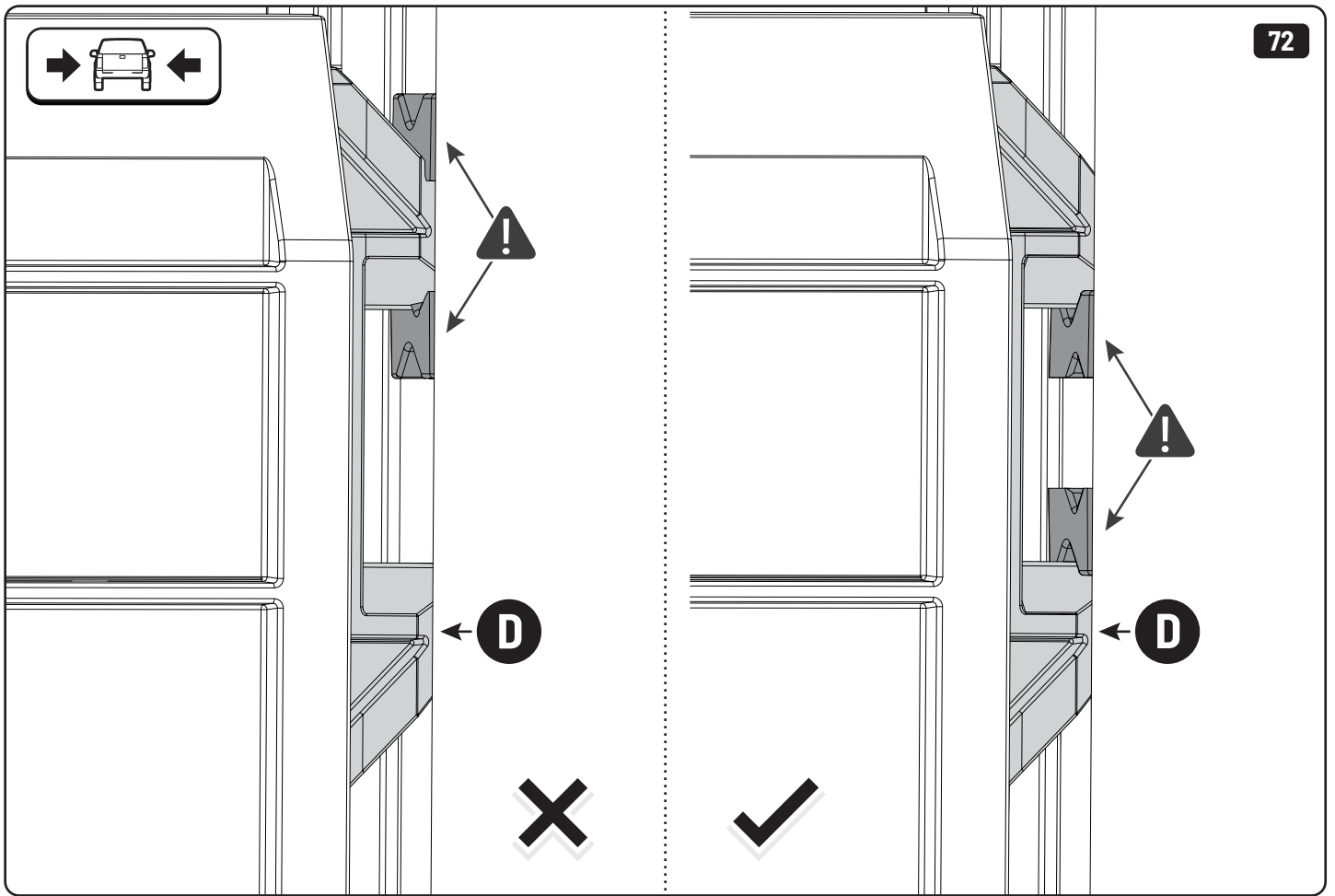


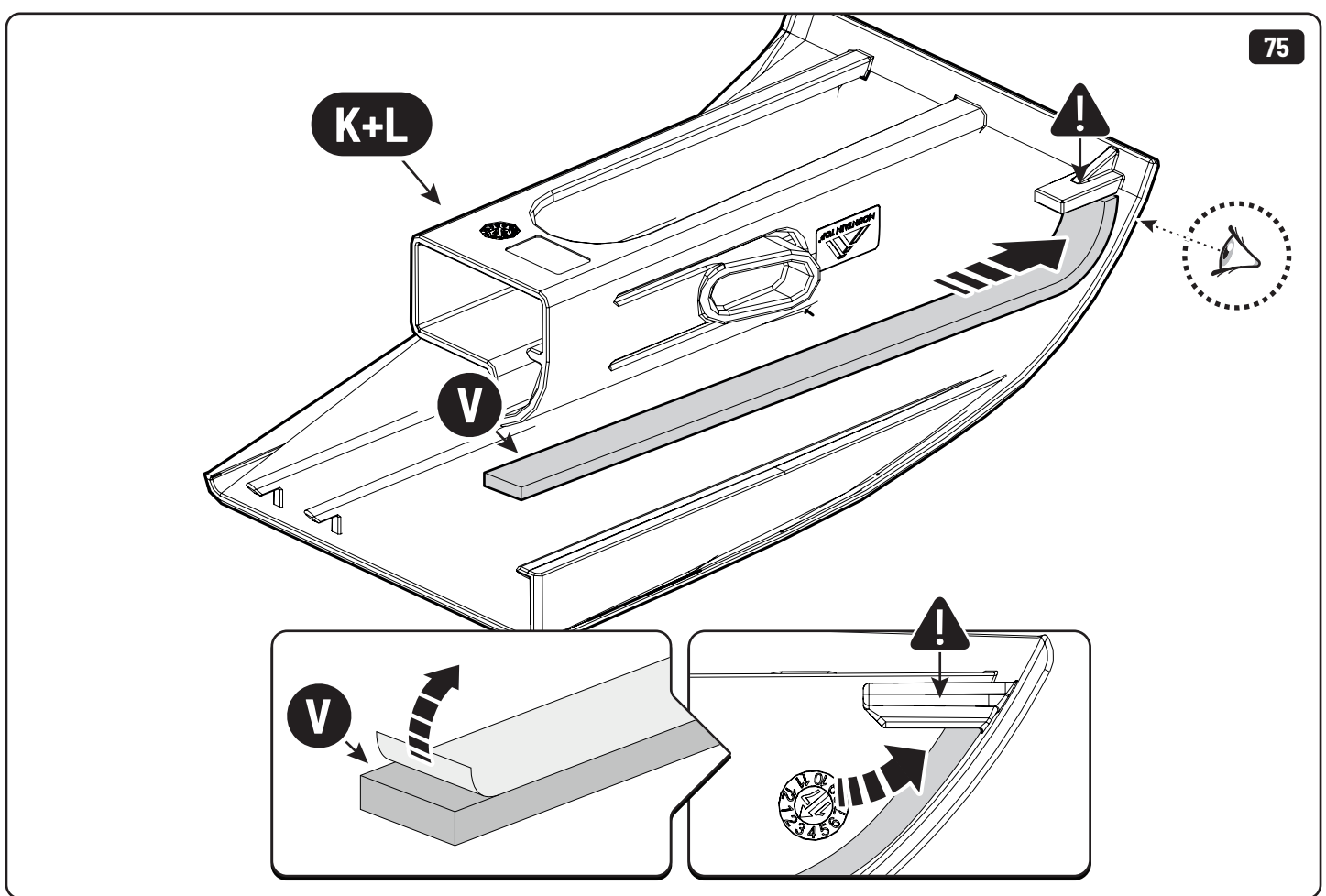
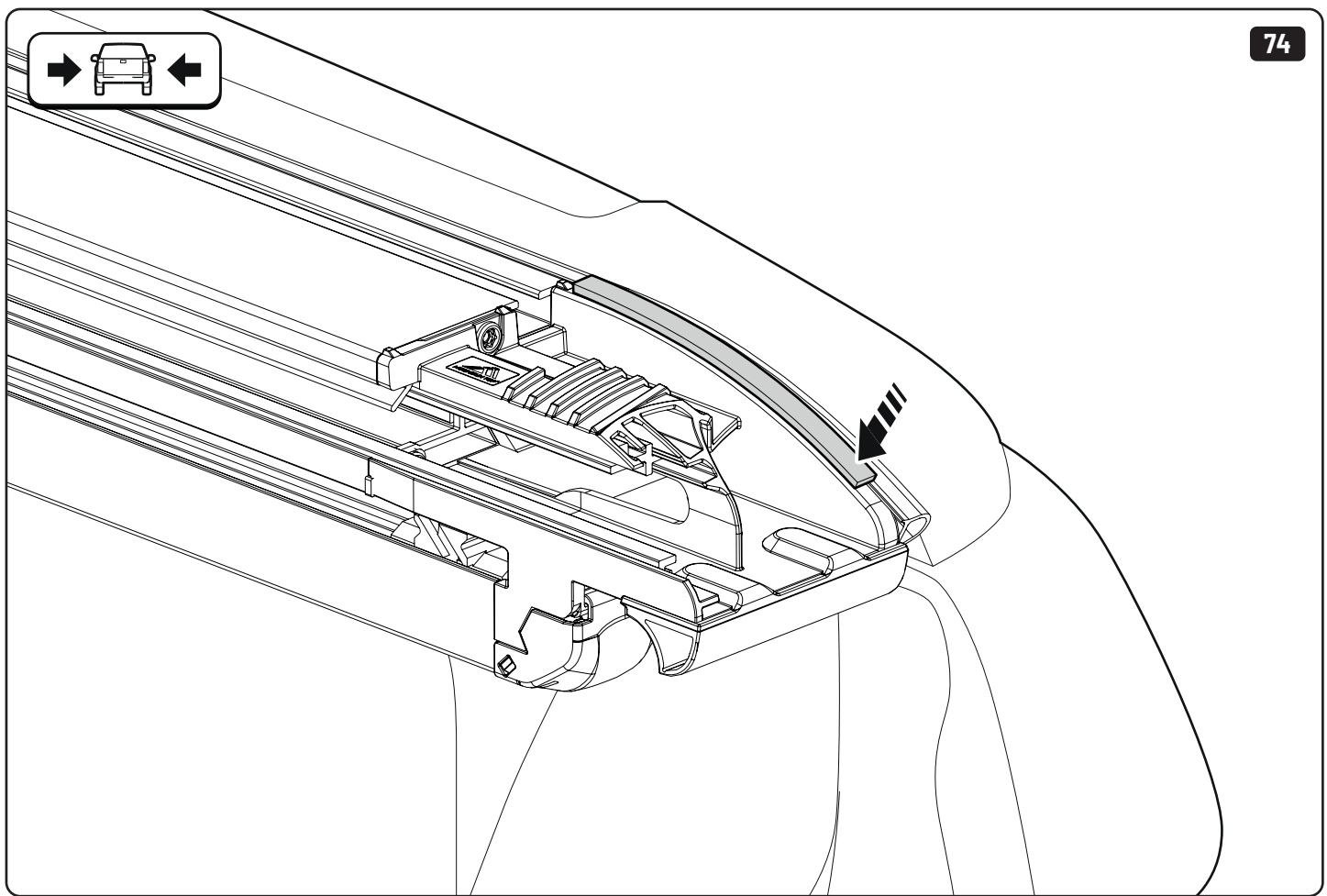
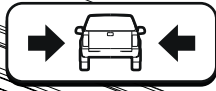




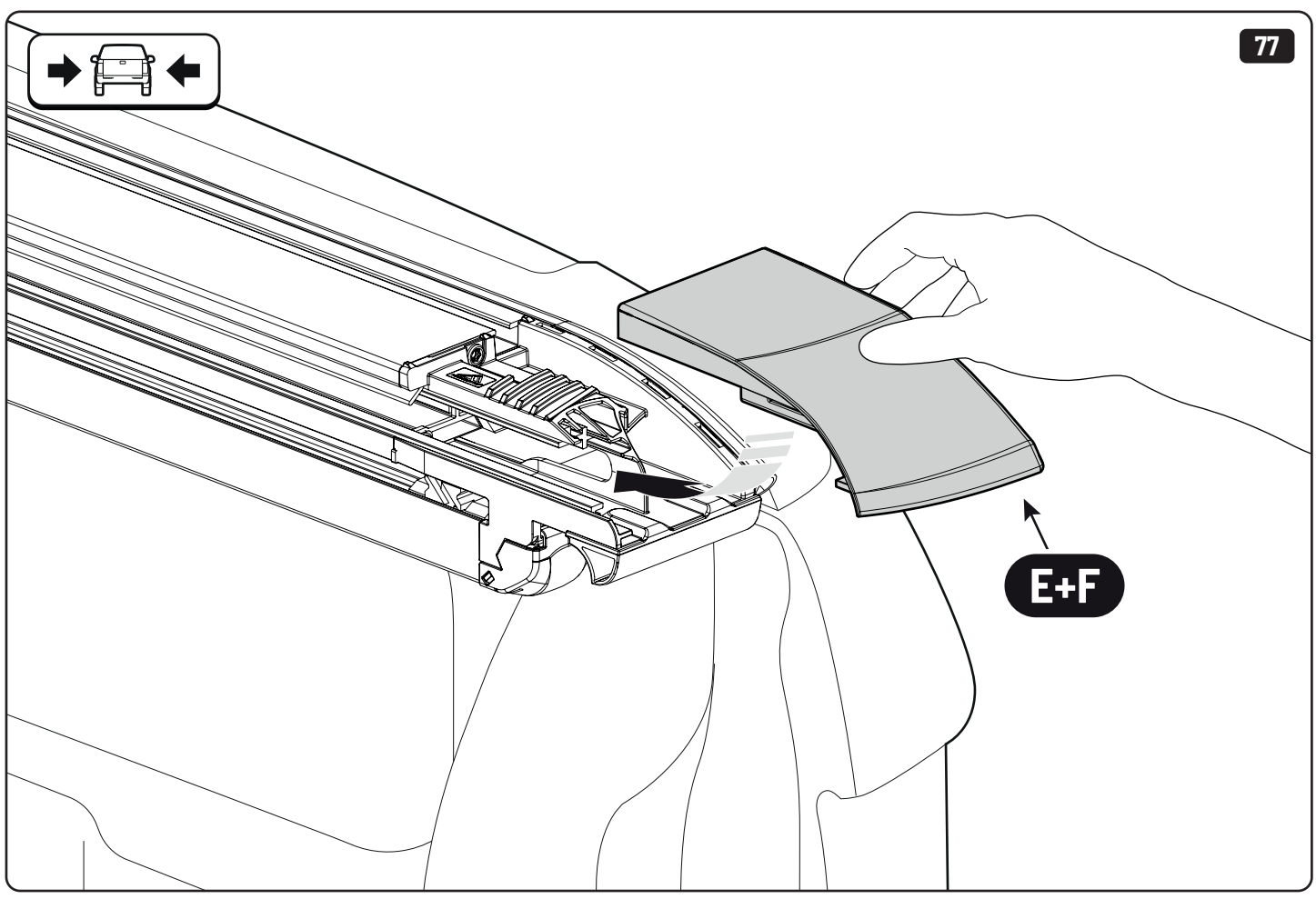
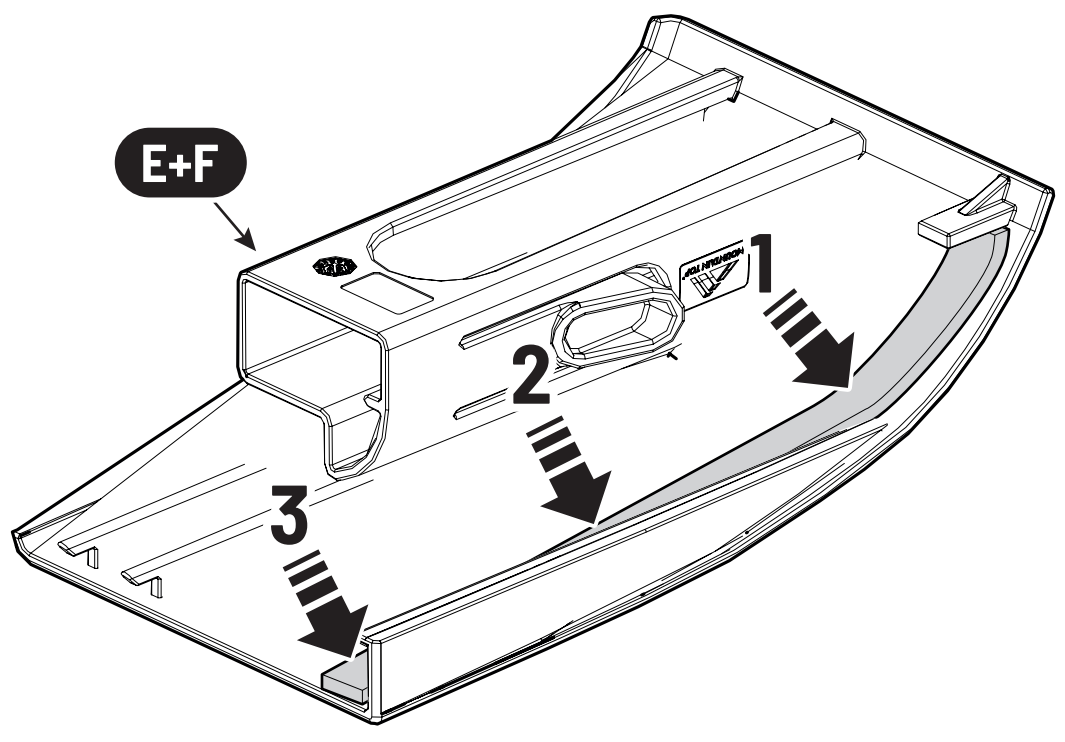


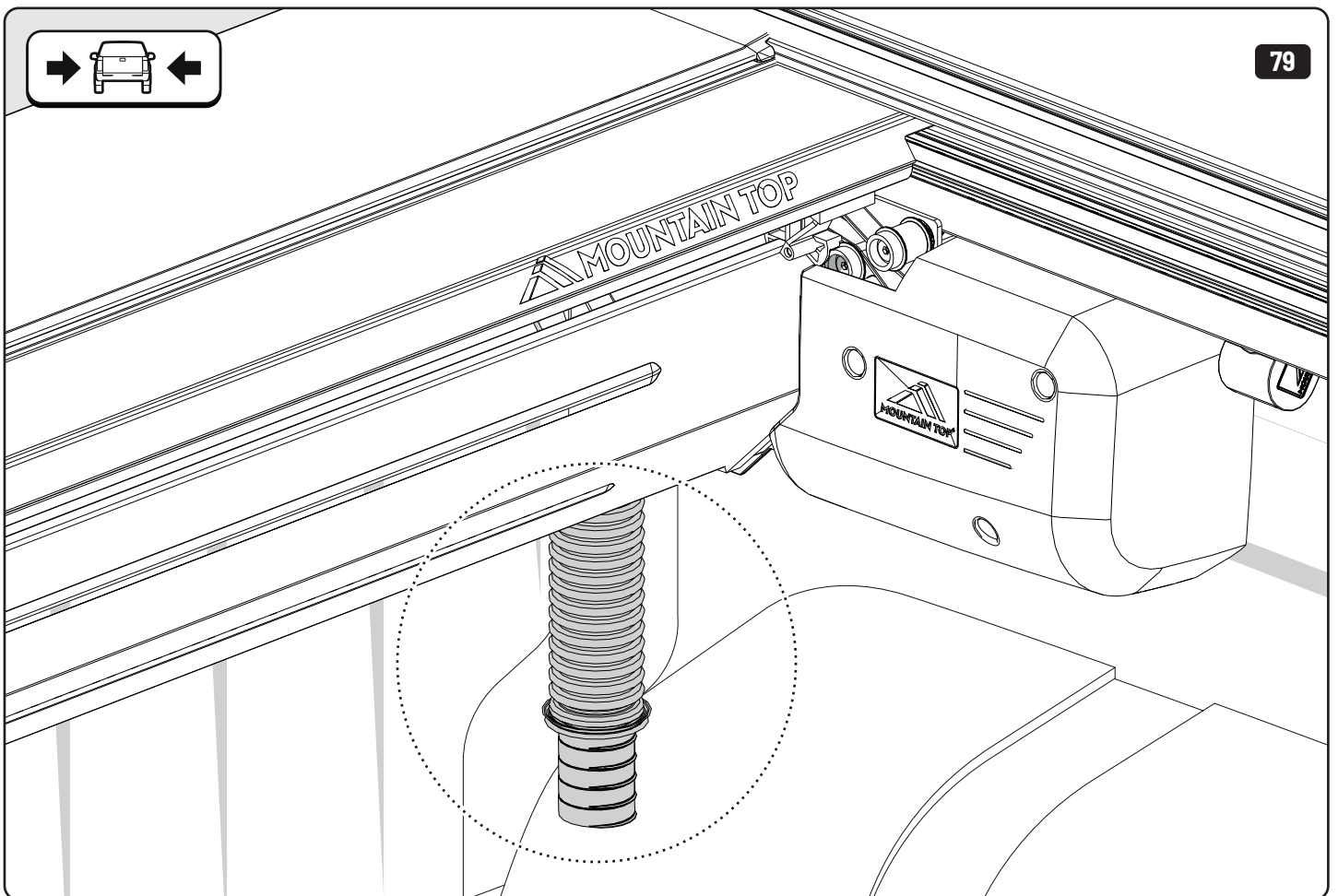
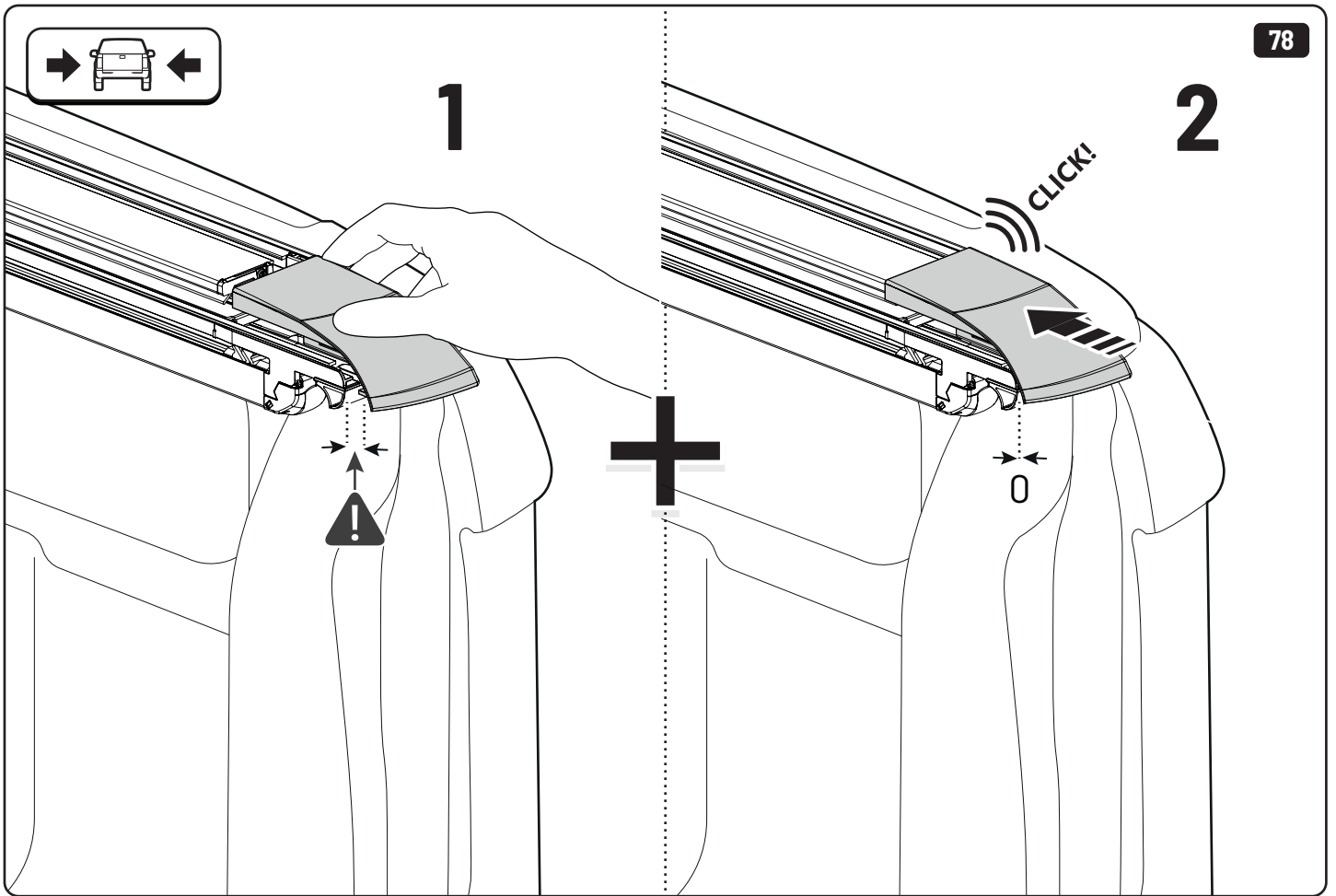


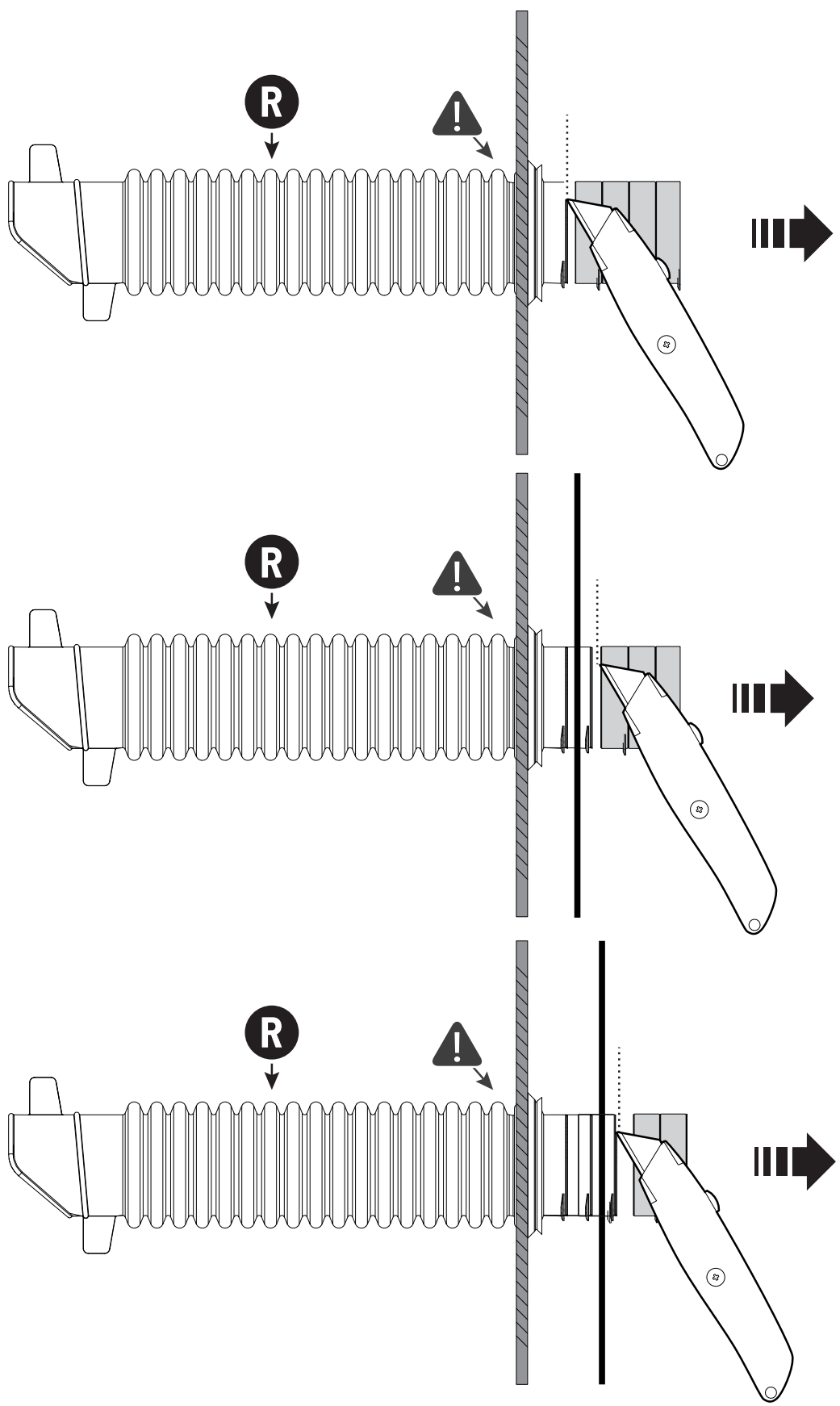


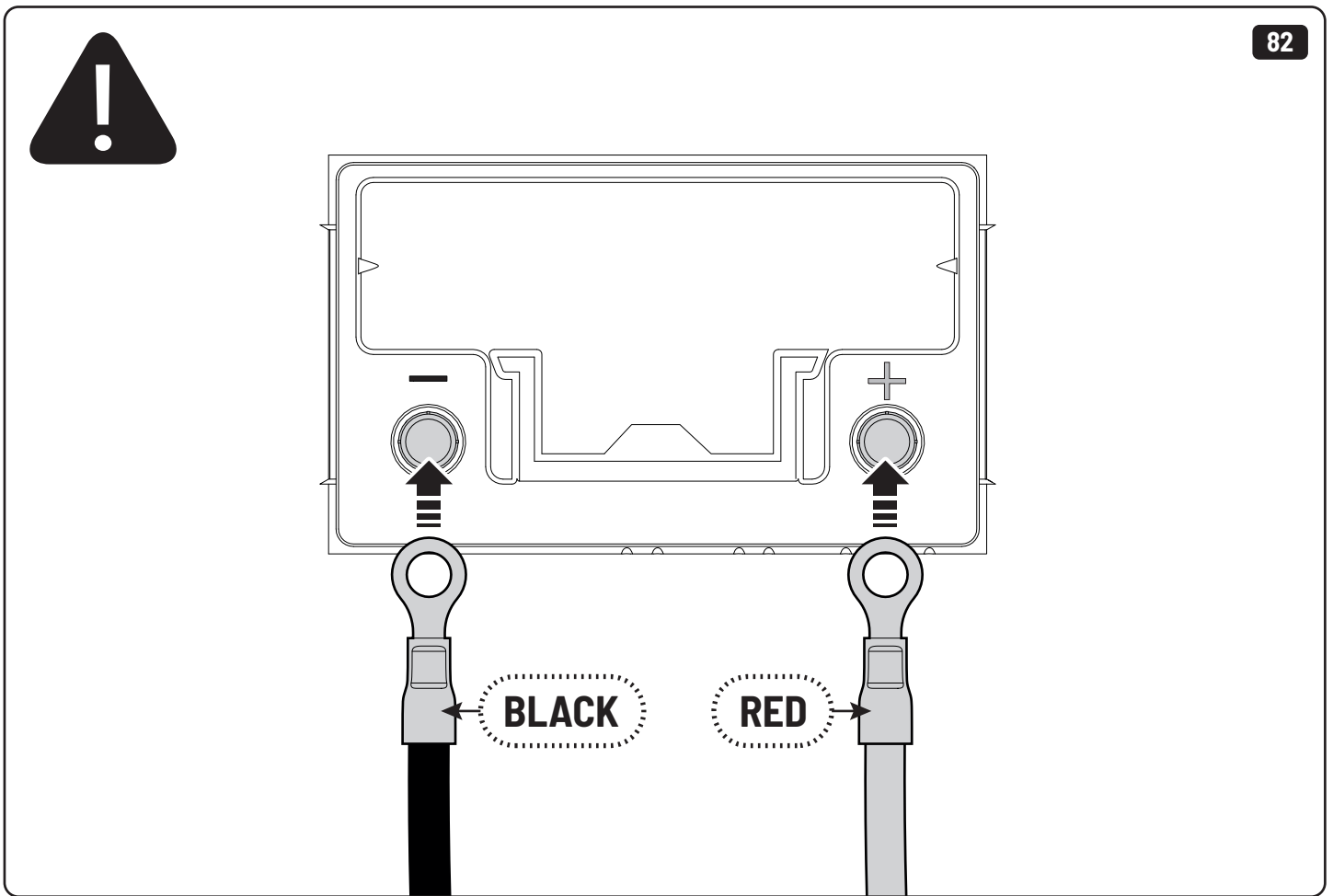
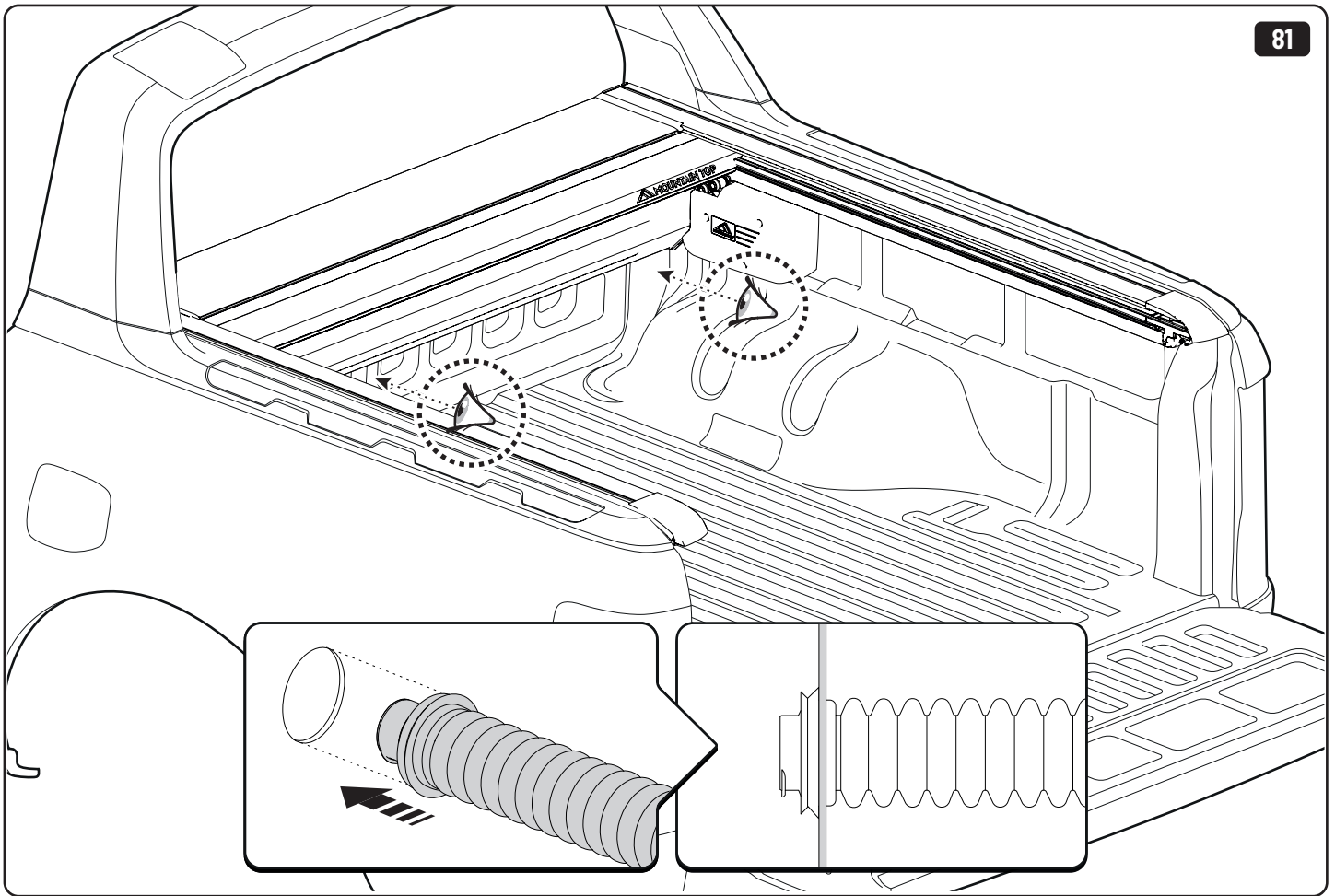




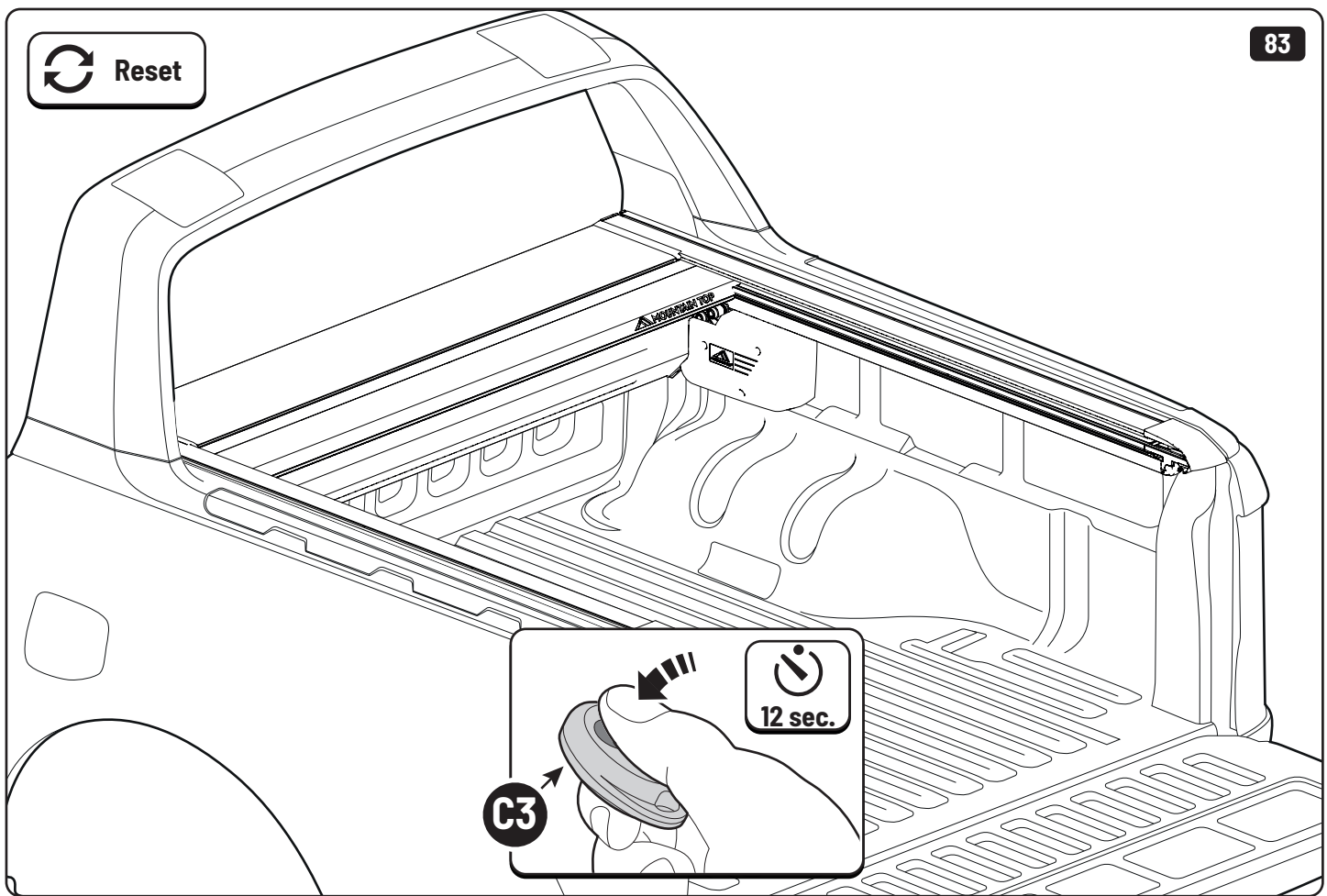




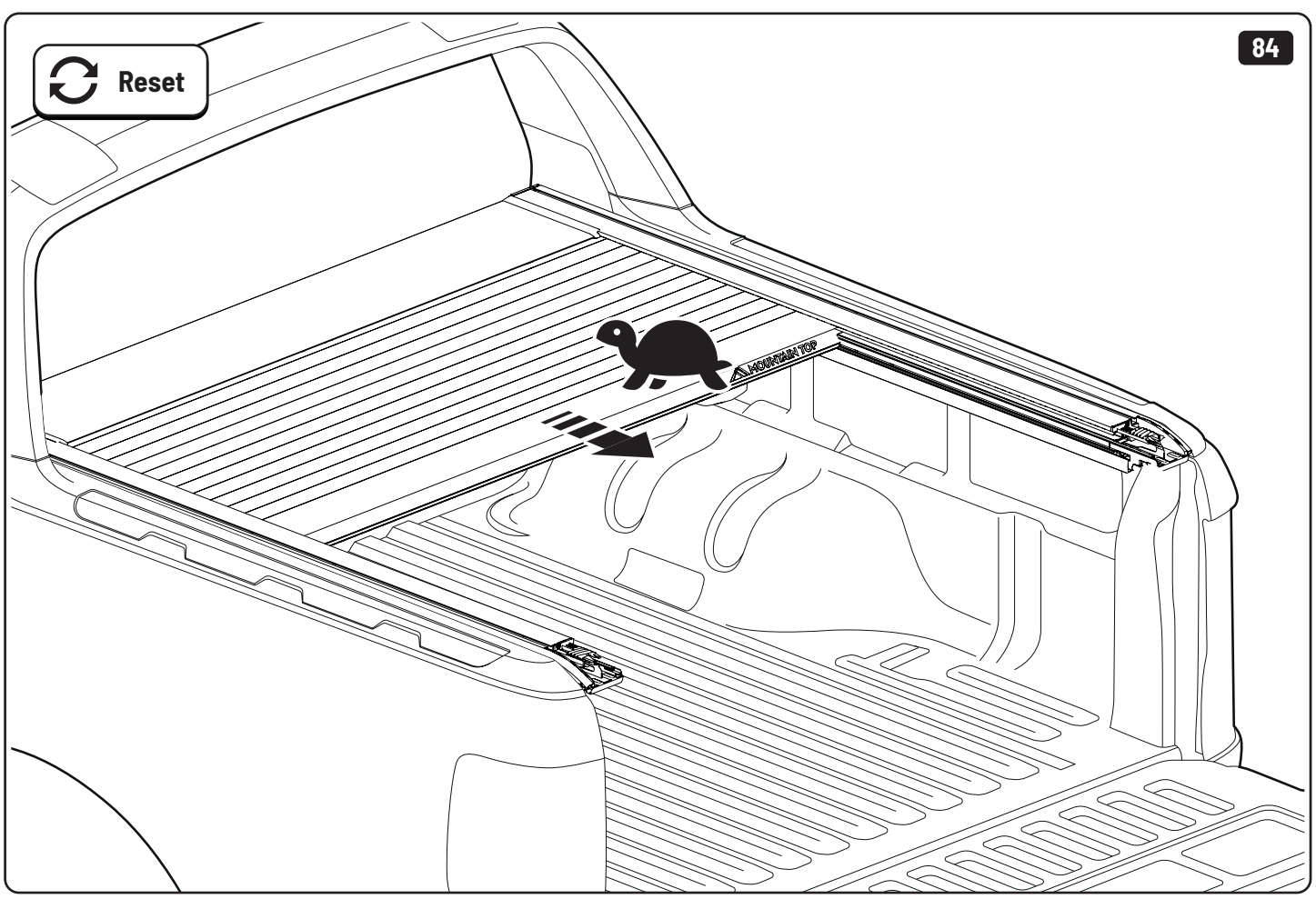


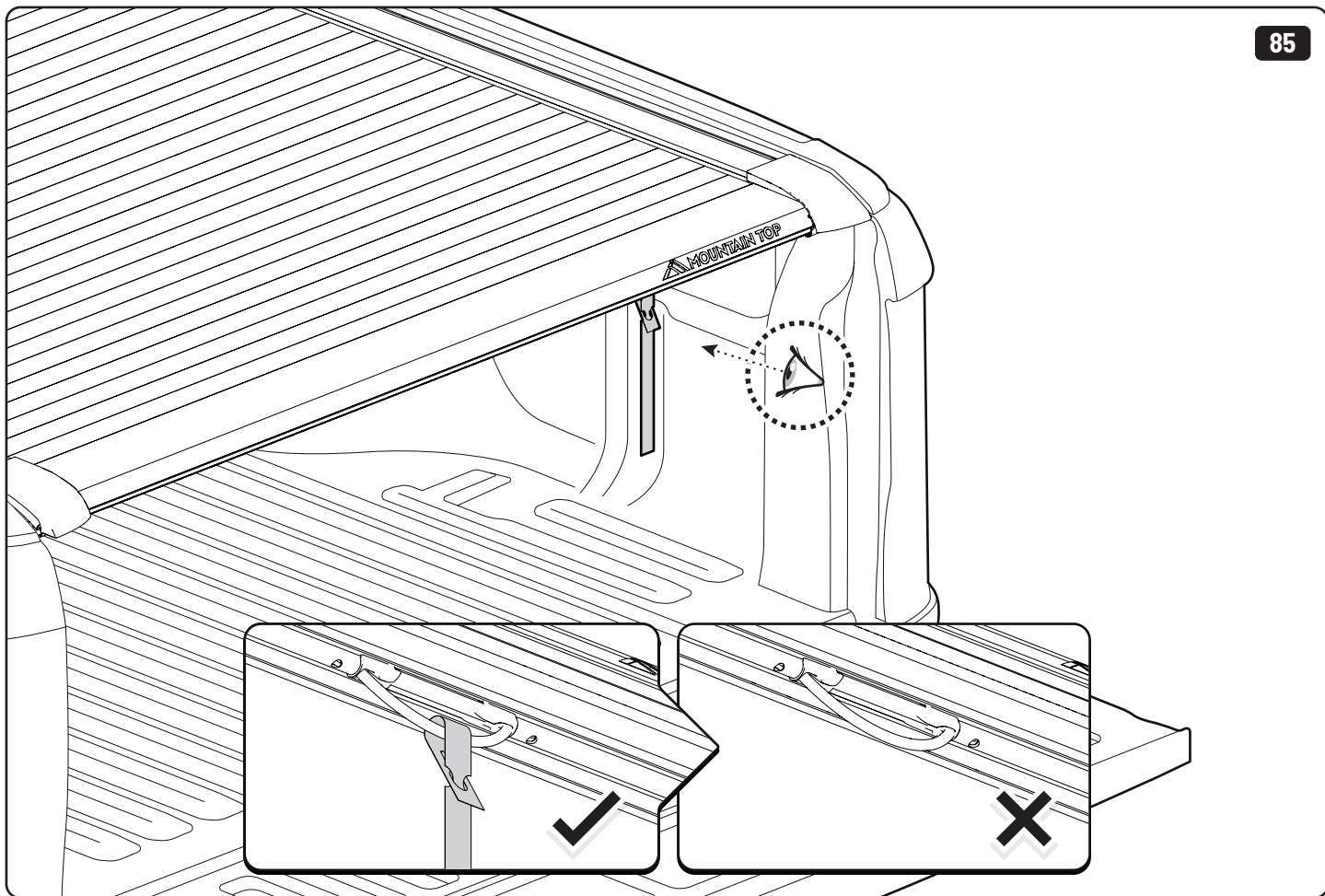


 Reset



 Reset





### EVOe Installation checklist



Steps	Page	Done by
Mounting rubber cross	7	
Mounting gliding rail in canister	13	
Holes for drain	21-23	
Width + Cross measurement	34-36	
Tightening the clamp screw	35	
Mounting drain	46	











Customer Service +45 4810 2950 (08:00 - 16:00 CET)  
Support info@mountaintop.dk  
Website www.mountaintop.dk  
Address Pedersholmparken 10, 3600 Frederikssund, Denmark

Part number (s)	Model / Year	Cab type (s)	Installation time	Weight
EVOe F090 HB01	Wildtrak / 2011 ->	Double Cab	1 hour (s)	40 kg

<b>GB</b> Installation manual	<b>S</b> Monteringsanvisning	<b>D</b> Einbauanleitung
<b>SF</b> Asennusohje	<b>E</b> Instrucciones de montaje	<b>CZ</b> Návod k instalaci
<b>F</b> Notice de montage	<b>H</b> Szerelési utasítás	<b>I</b> Istruzioni di montaggio
<b>PL</b> Instrukcja montażu	<b>P</b> Instruções de instalação	<b>GR</b> Οδηγίες Εγκατάστασης
<b>NL</b> Installatie-instructies	<b>RUS</b> Инструкция по установке	<b>DK</b> Monteringsvejledning
<b>TR</b> Montaj Talimatı	<b>N</b> Monteringsveiledning	<b>RO</b> Instructiuni de instalare