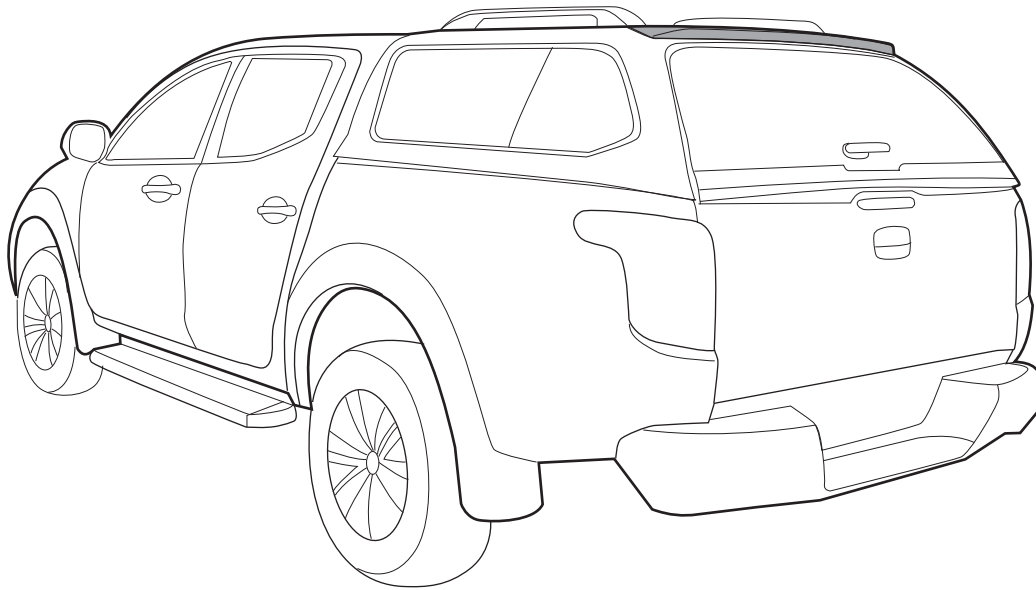
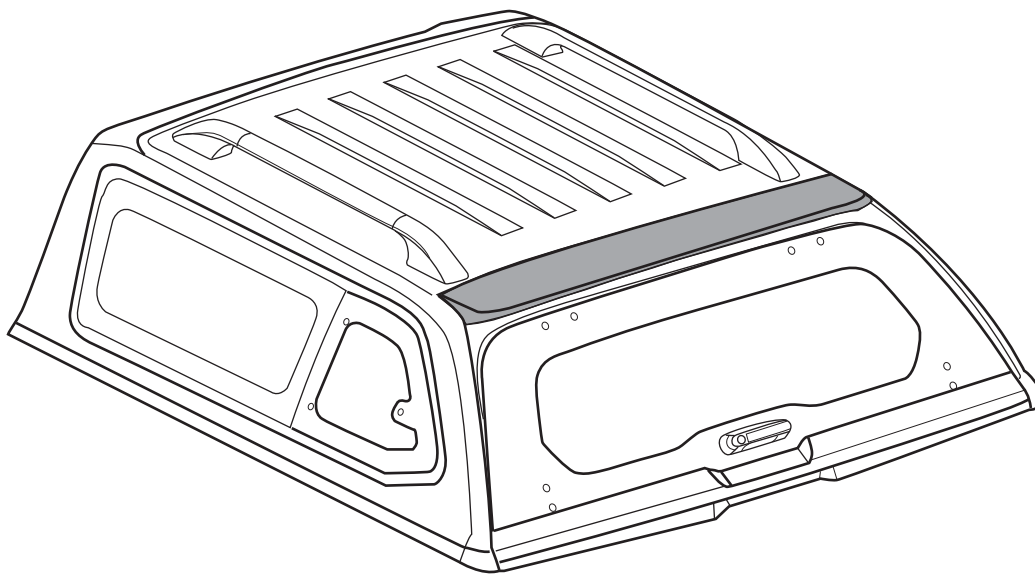


AEROKLAS

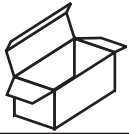
INSTALLATION MANUAL TRITON SU SPOILER



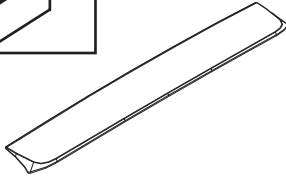
Installation time : 20 mins. For Spoiler



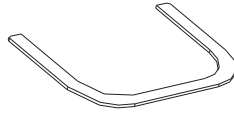
COPY



COMPONENT PART



Spoiler = 1 Pcs.



Adhesive tape = 3 Pcs.



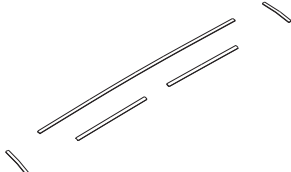
Screw M6 = 3 Pcs.



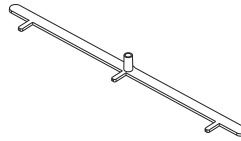
Washer M6 = 3 Pcs.



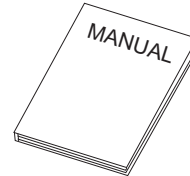
Seal = 3 Pcs.



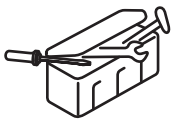
Rubber seal T1.5mm. = 1 set



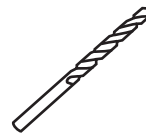
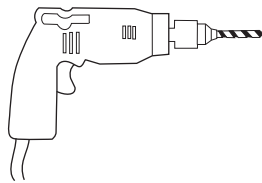
Drill jig = 3 Pcs.



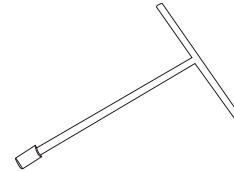
Manual = 1 Pcs.



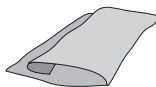
TOOLS



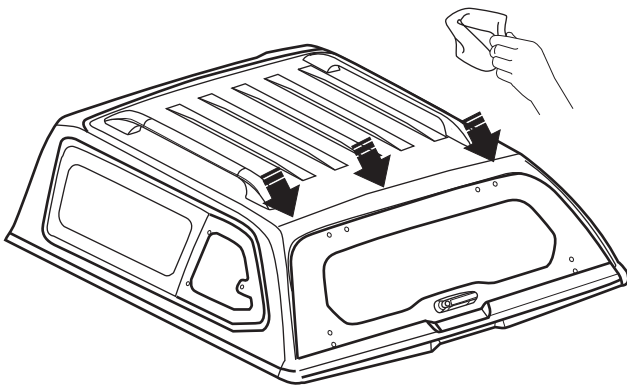
Drill \varnothing 3, 8, mm.



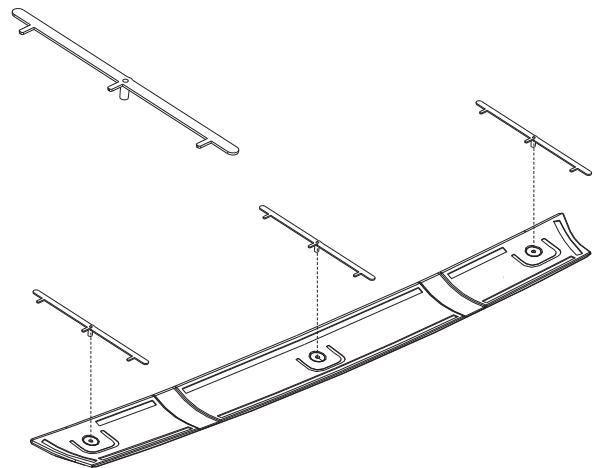
No.10 mm.



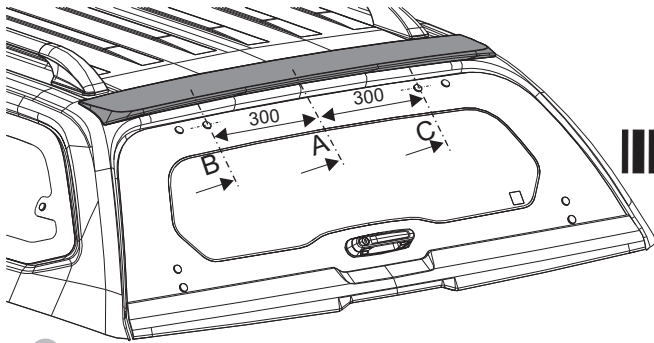
Cleaning cloth



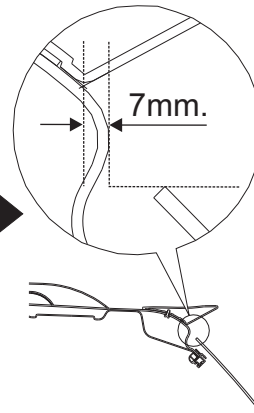
1 Clean the install area with the cloth.



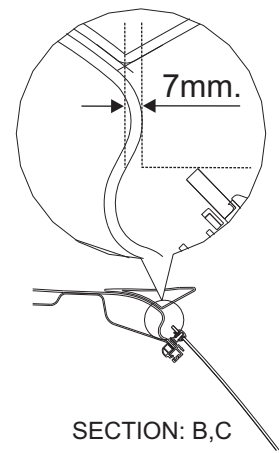
2 Put the drill-jigs into the nut.



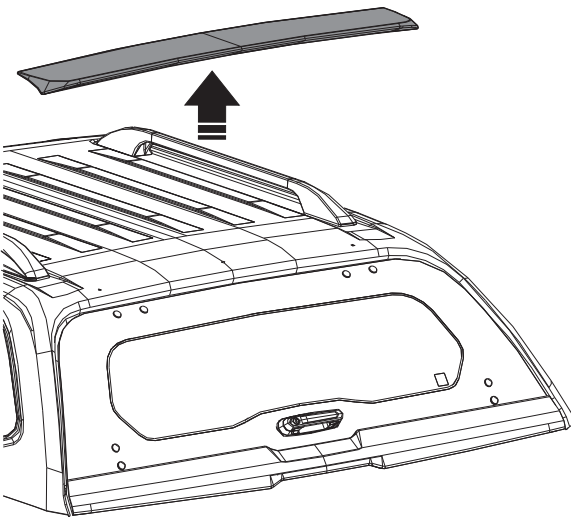
- 3 Place the spoiler with drill-jigs at install position and stick the drill-jigs with adhesive tape.



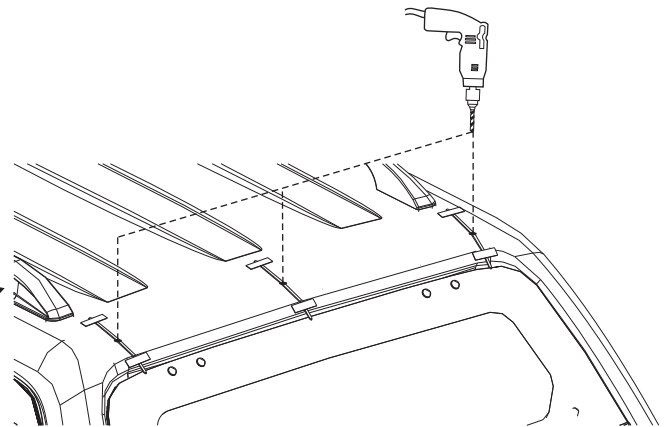
SECTION: A



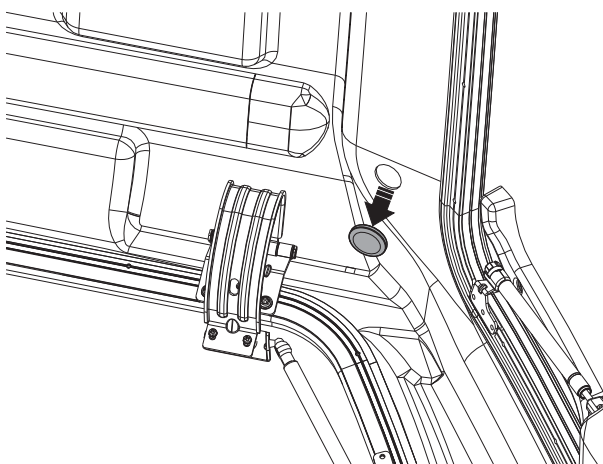
SECTION: B,C



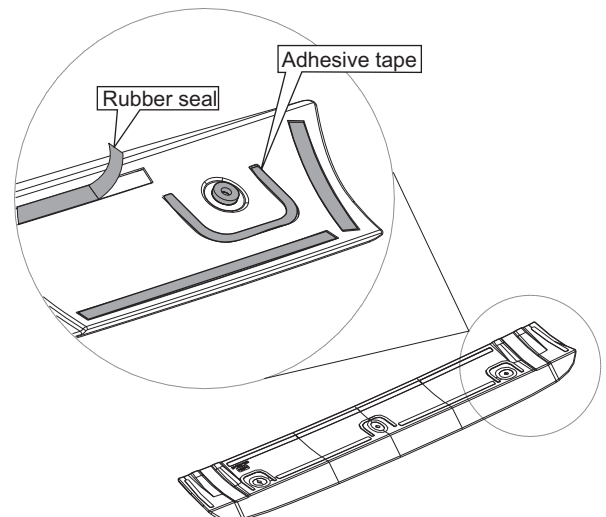
- 4 Take off spoiler.



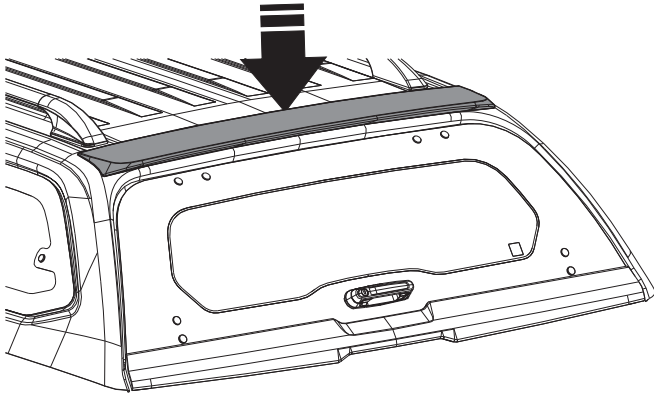
- 5 Drill $\varnothing 3$ mm. -diameter pilot holes into the drill-jigs (4 position). Afterward remove the drill-jigs. Drill $\varnothing 8$ mm.- diameter until through inner canopy.



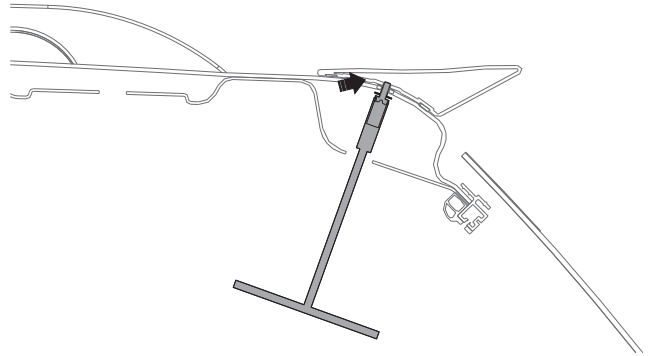
- 6 Take off Rubber Plug 3 point .



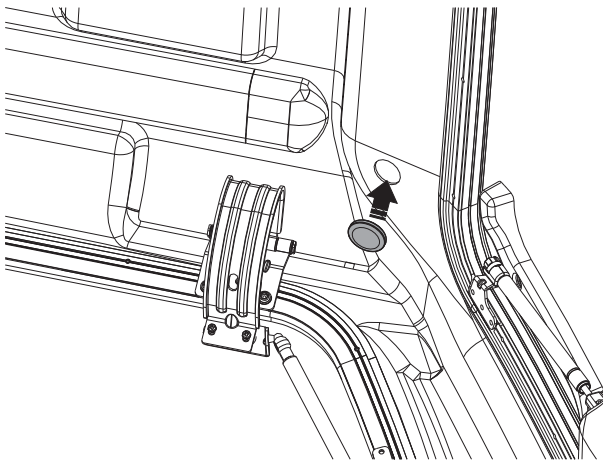
- 7 Remove seal on all adhesive tape.



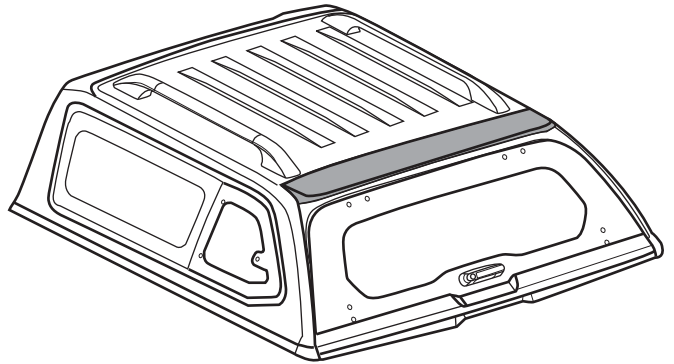
8 Put the spoiler into the nuts hole.



9 Inside canopy : Tighten screw set to the nut of spoiler, (3 position).



10 Put rubber-plug in the hole.



11 Install completely.