

Mountain Top® Roll

Installation manual



VIDEO GUIDE

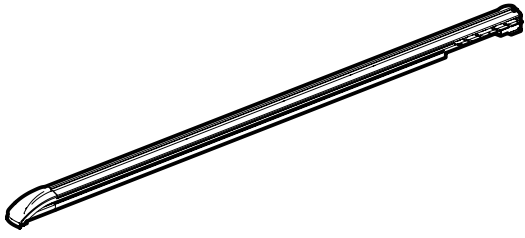


DOWNLOAD PDF



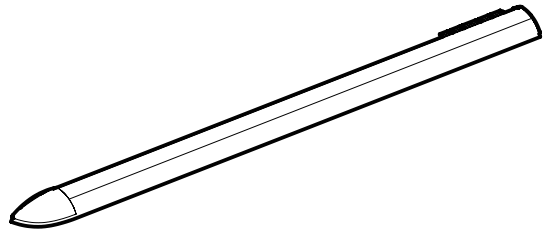
Parts

A



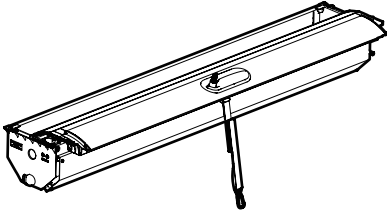
x 1

B



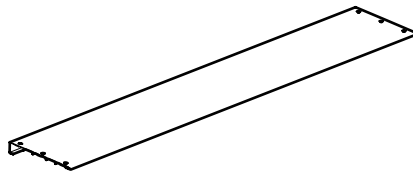
x 1

C



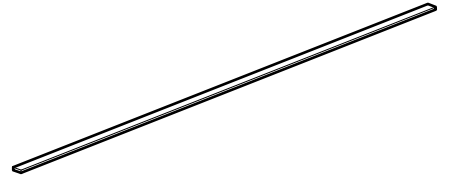
x 1

D



x 1

E



x 1



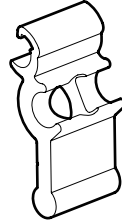
Kit

F



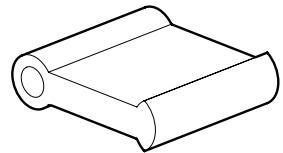
x 6

G



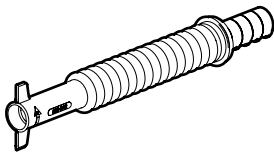
x 6

H



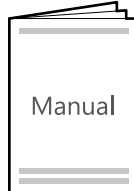
x 6

I



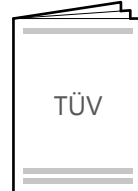
x 2

J



x 1

K

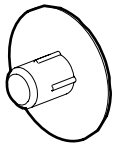


x 1



Kit

L



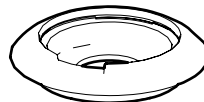
x 12

M



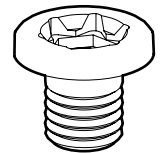
x 6

N



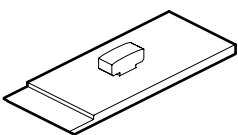
x 6

O



x 6

P



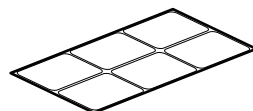
x 2

Q



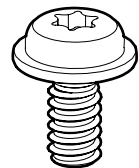
x 2

R

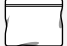
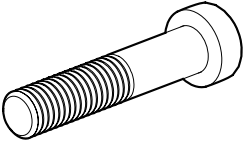
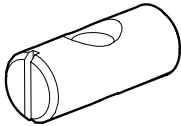




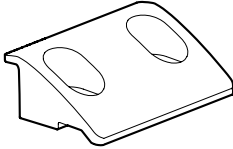
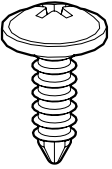
x 1


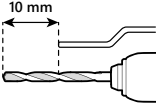
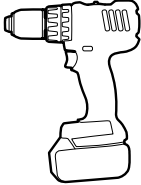
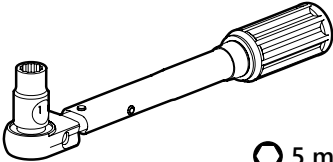

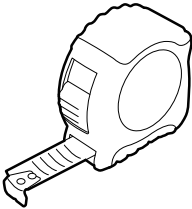
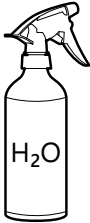
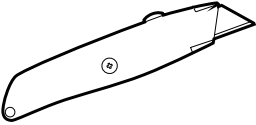
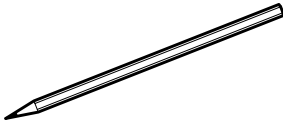


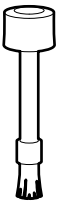
S


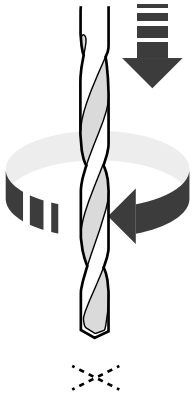
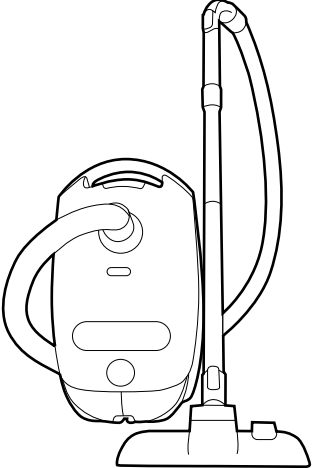
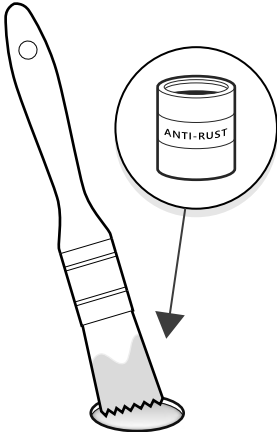


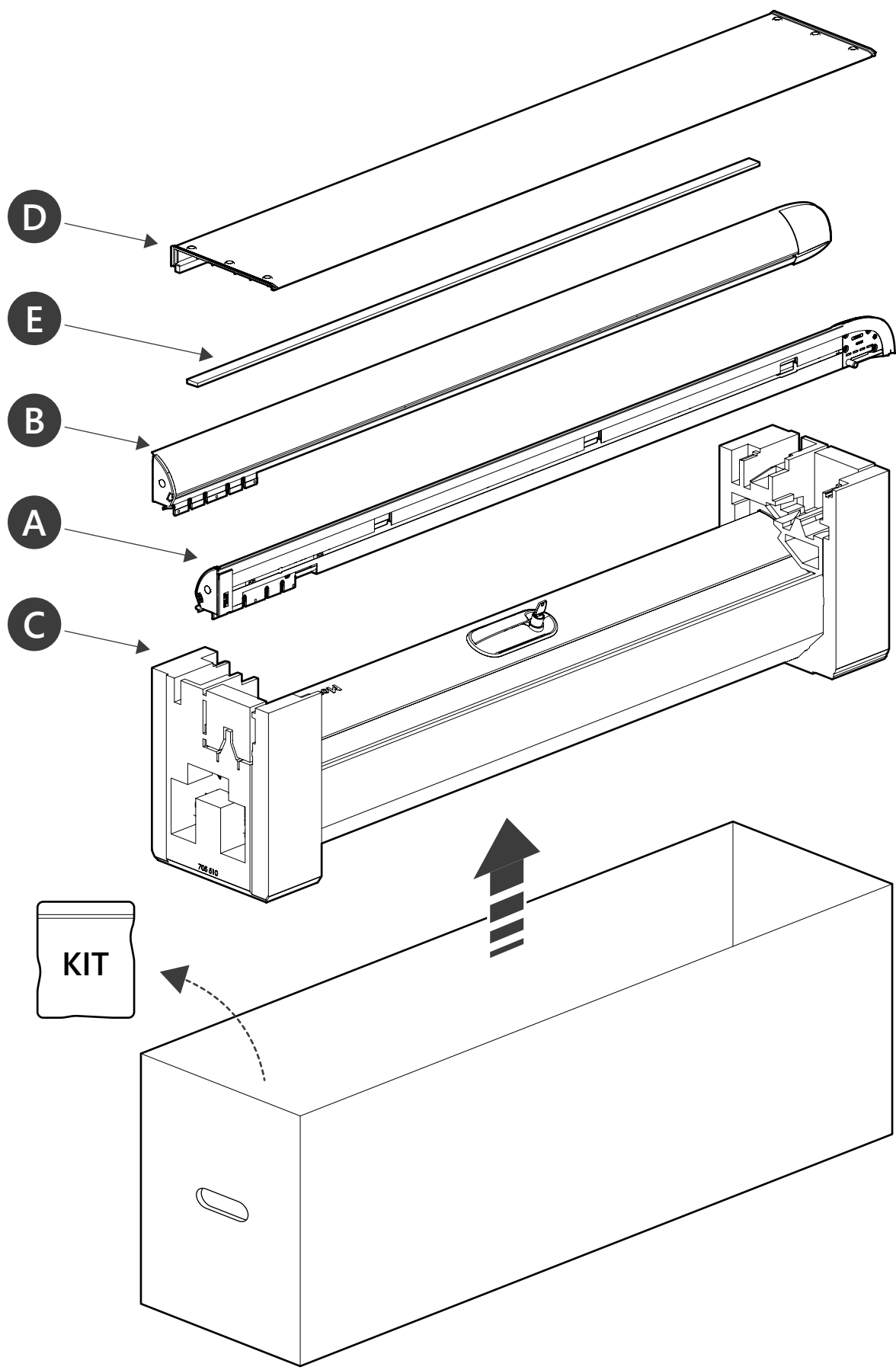
x 4

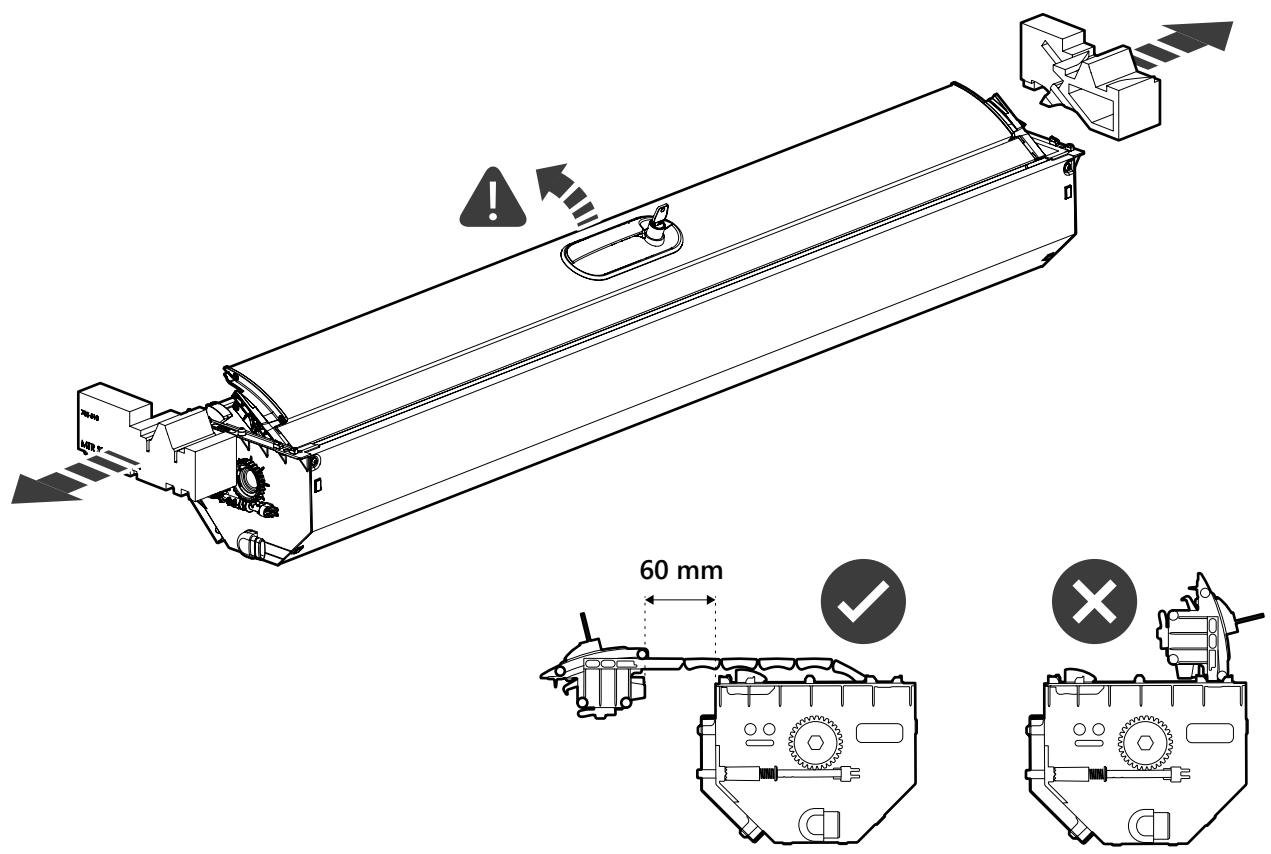
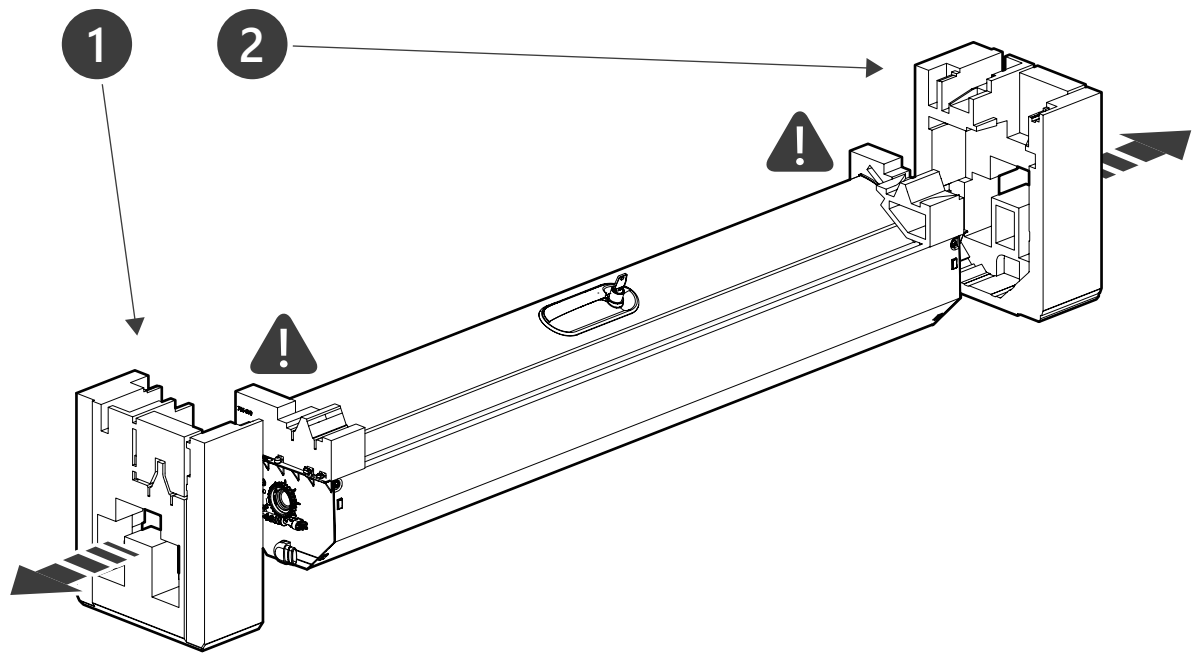
 Kit		
T	U	V
		
x 6	x 6	x 6

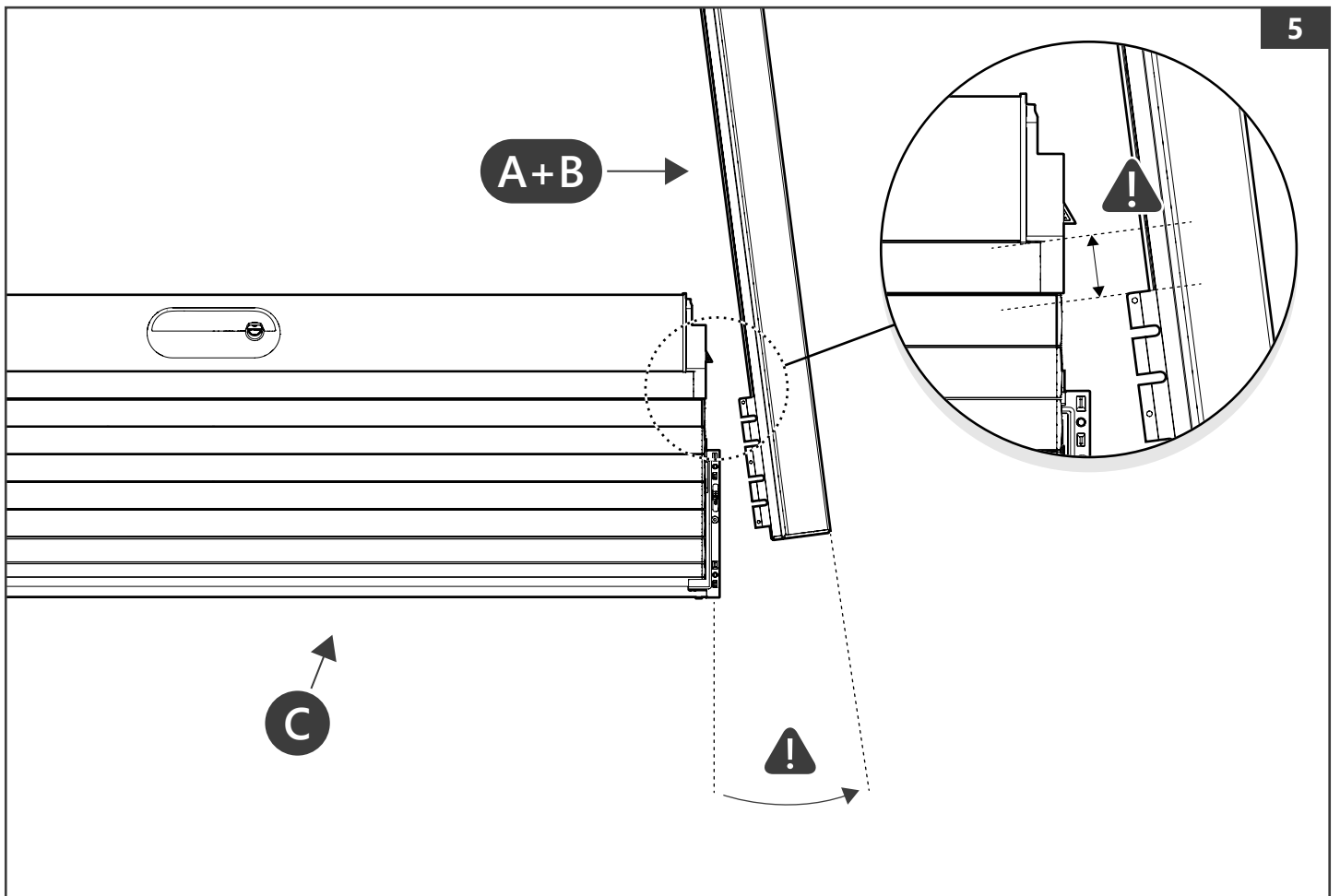
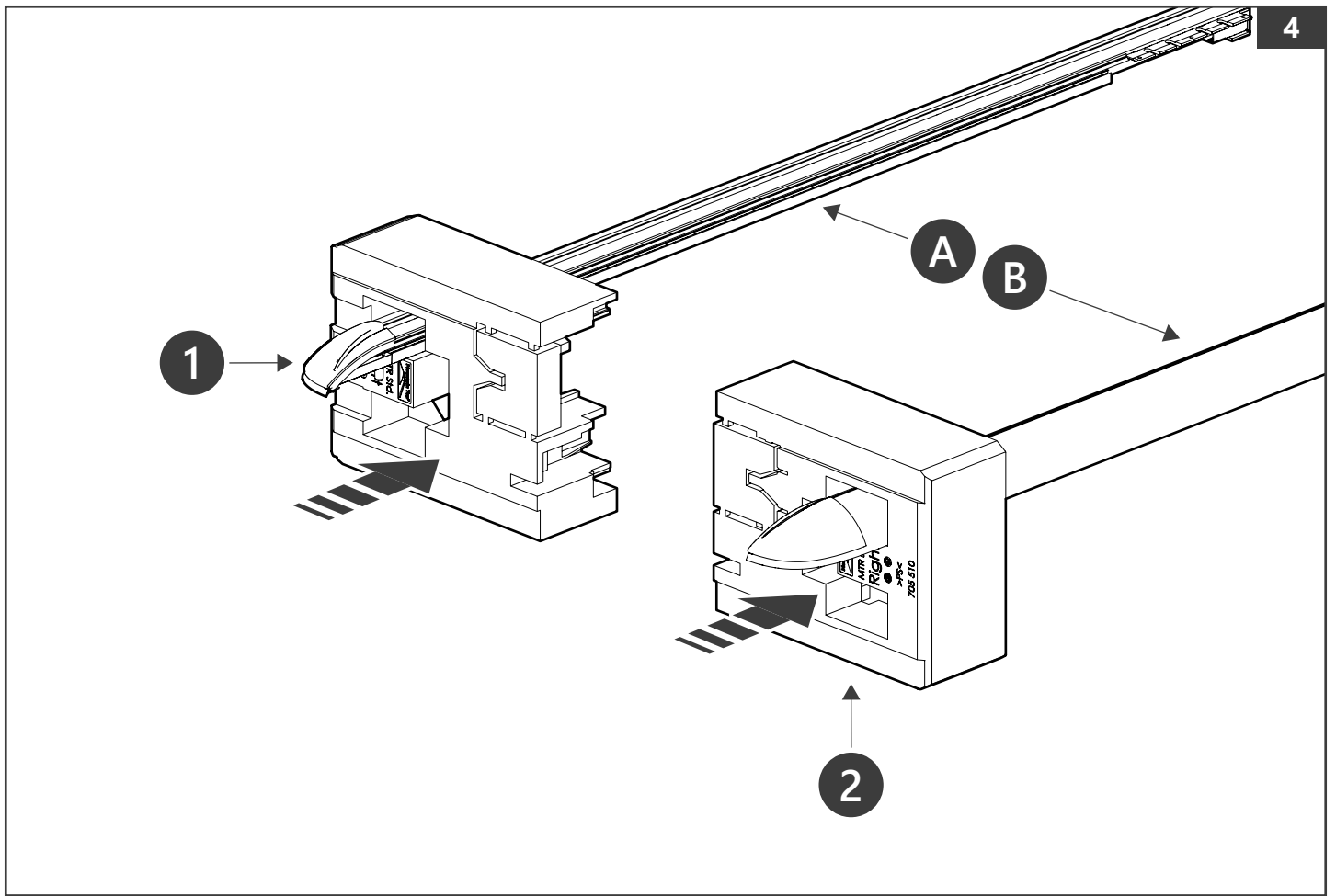
 Kit # 824 204	
W	X
	
x 1	x 2

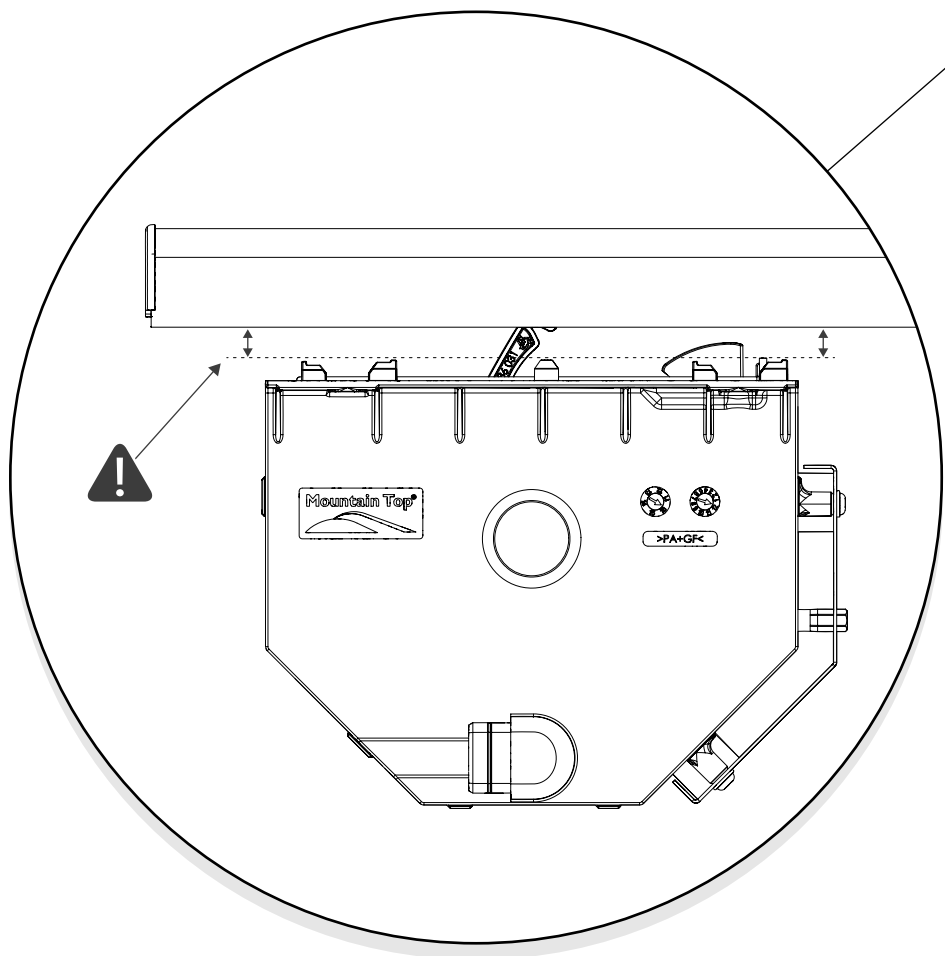
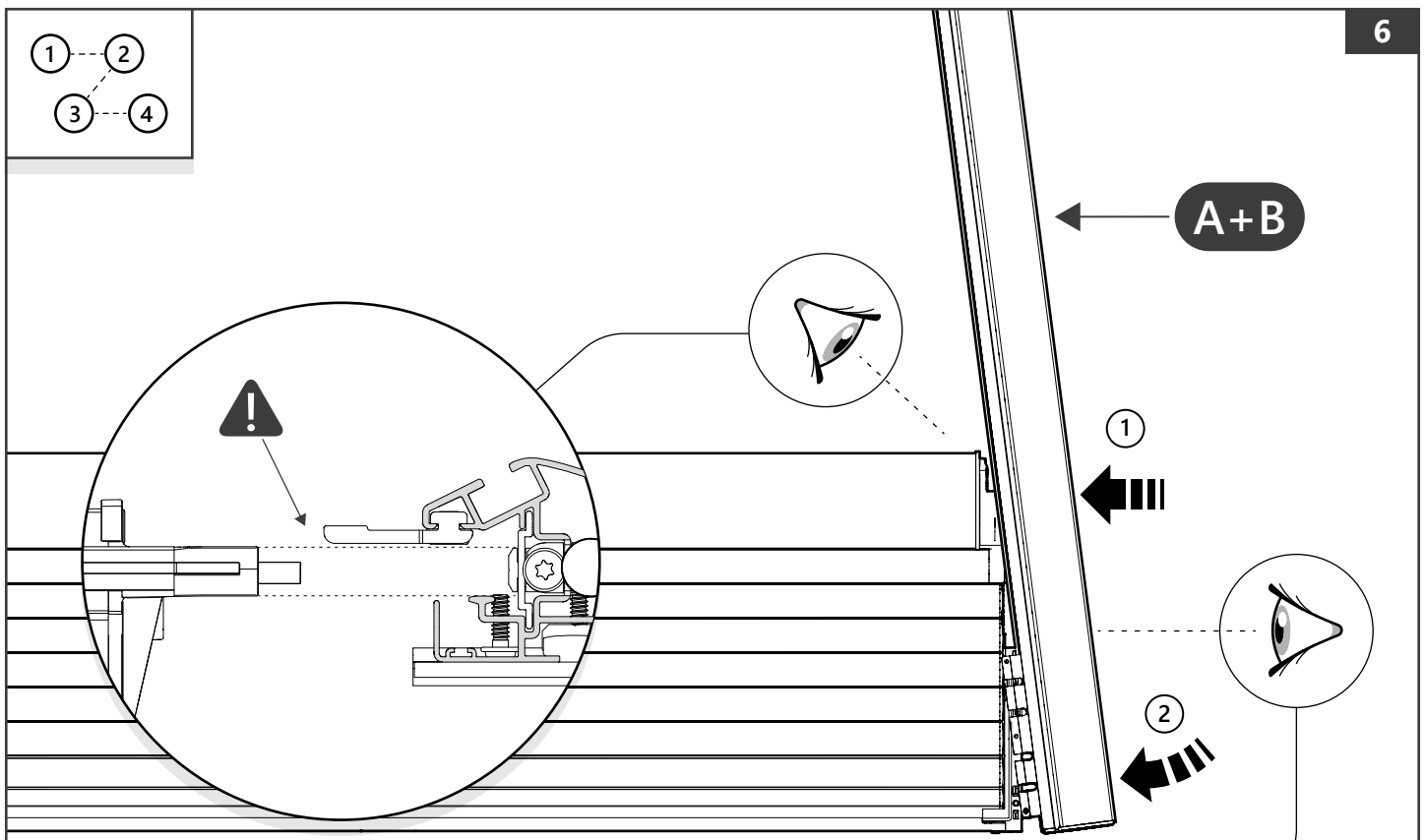
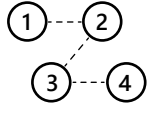
 Tools and materials needed		
 <p>10 mm Ø 24 mm Ø 3,5 mm</p> 	<p>1 - 25 Nm</p>  <p>5 mm T15</p>	 <p>Rust protection Rostschutzmittel Anti-rouille Anti roest</p>
	 <p>H₂O</p>	
	 <p>LOCTITE 243</p>	 <p>SILICONE OIL</p> 

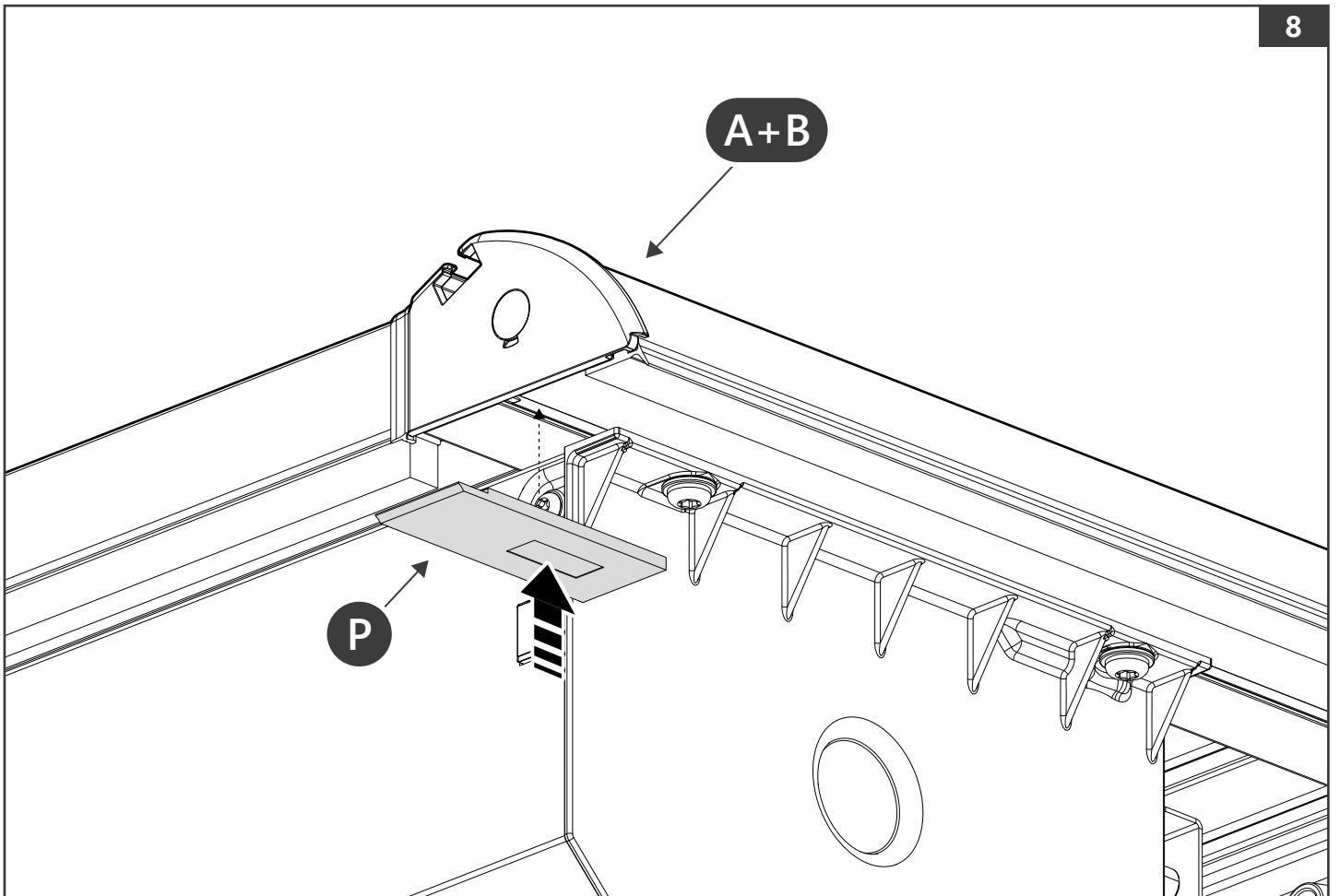
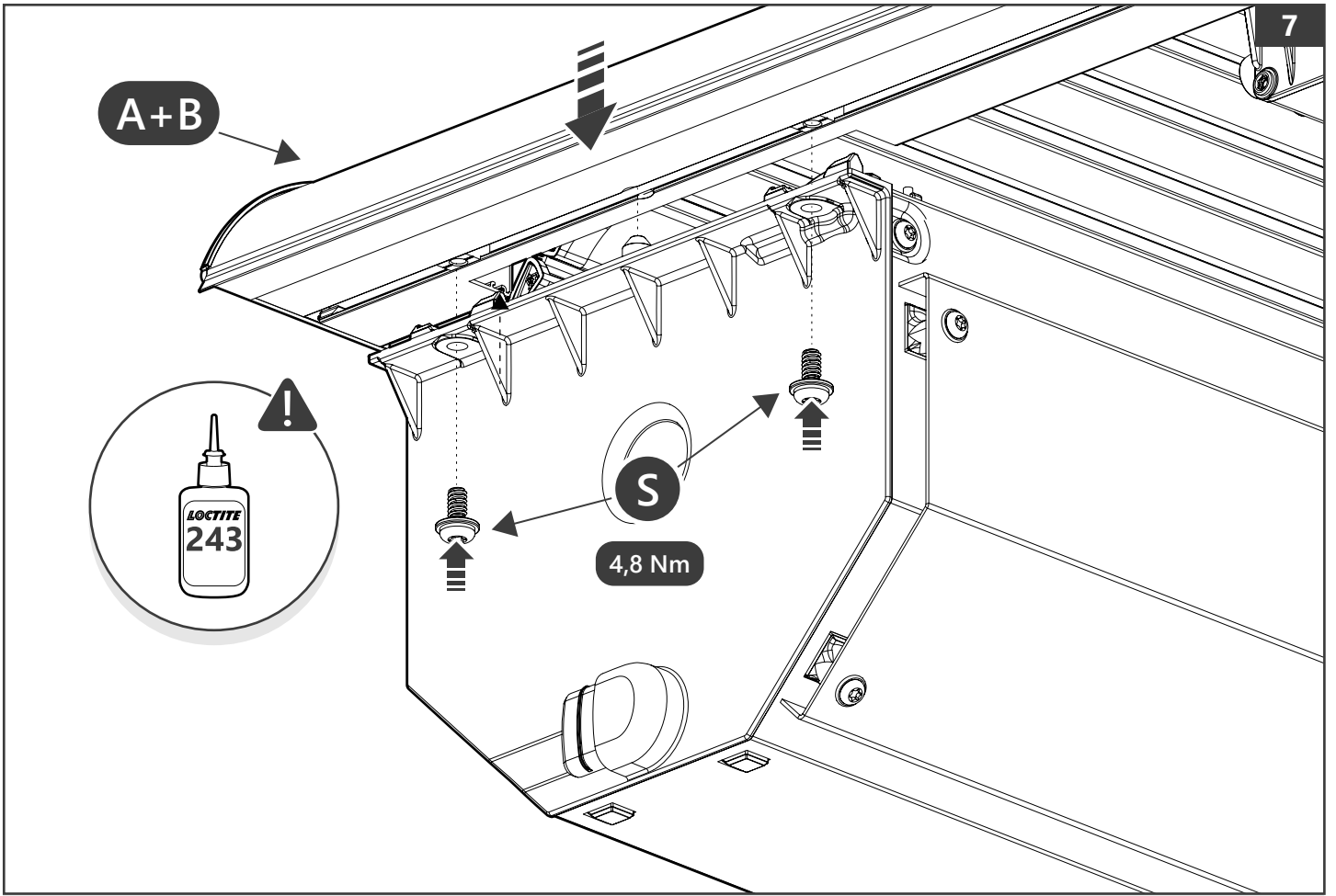
 Applying rust protection		
		

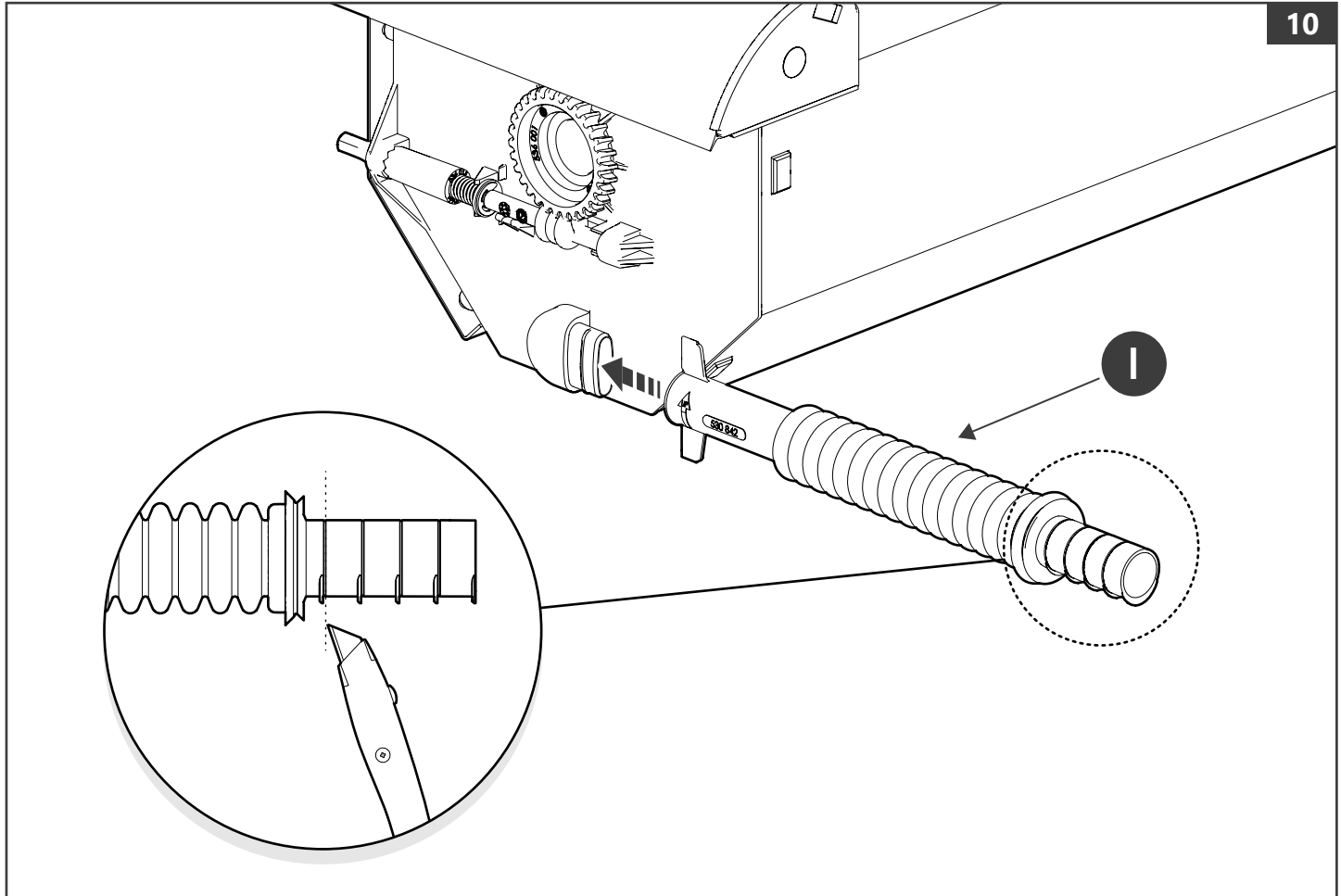
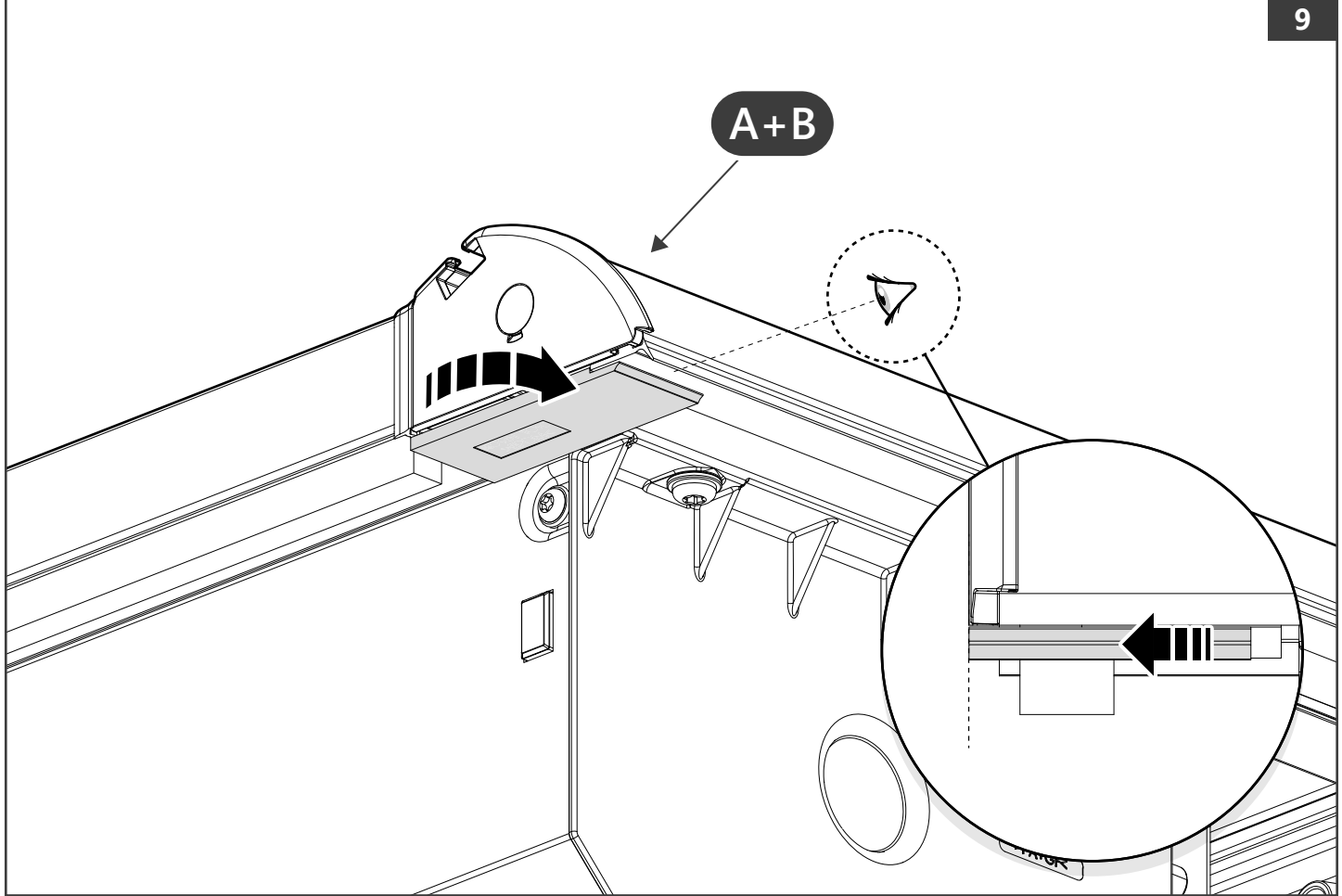


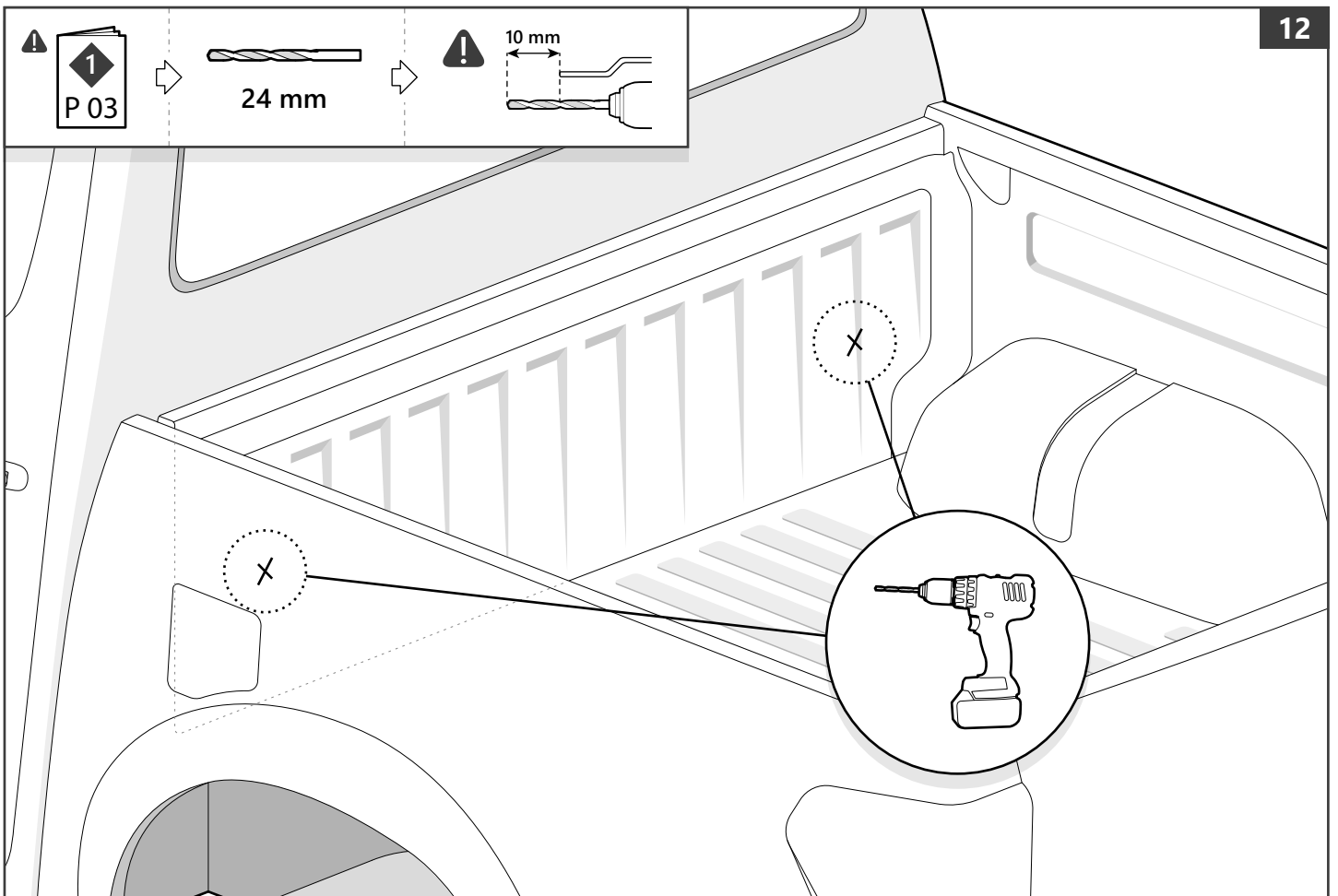
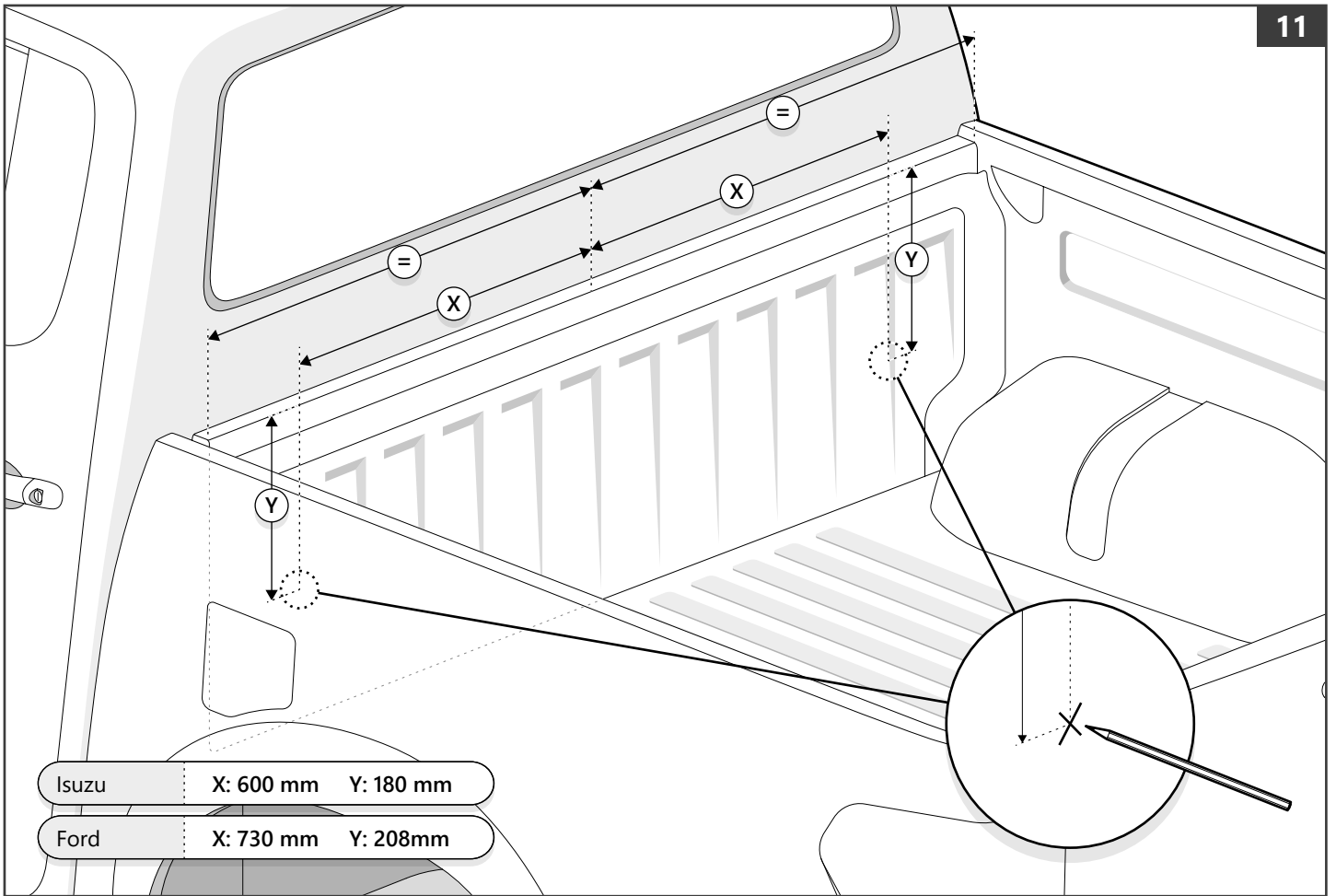


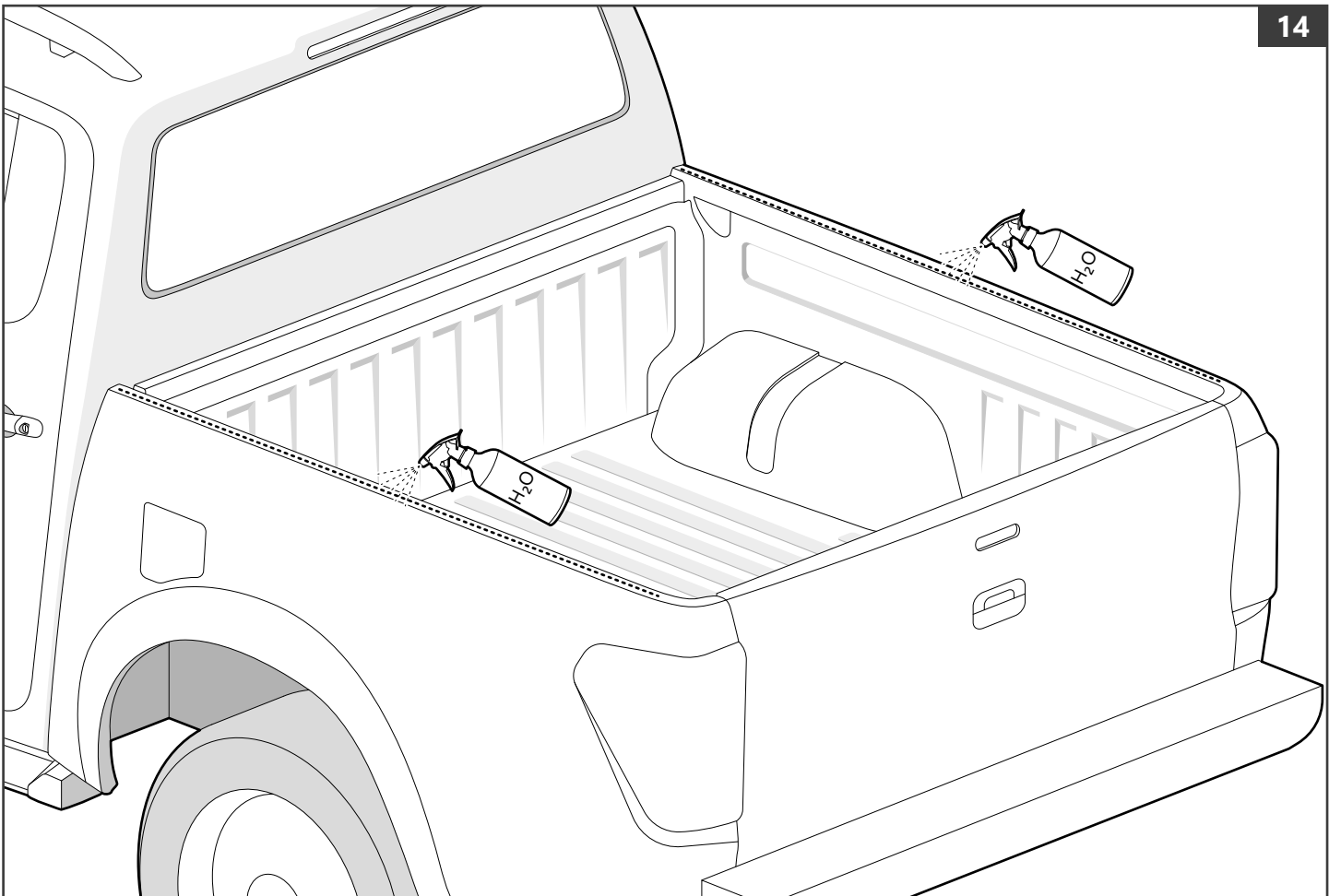
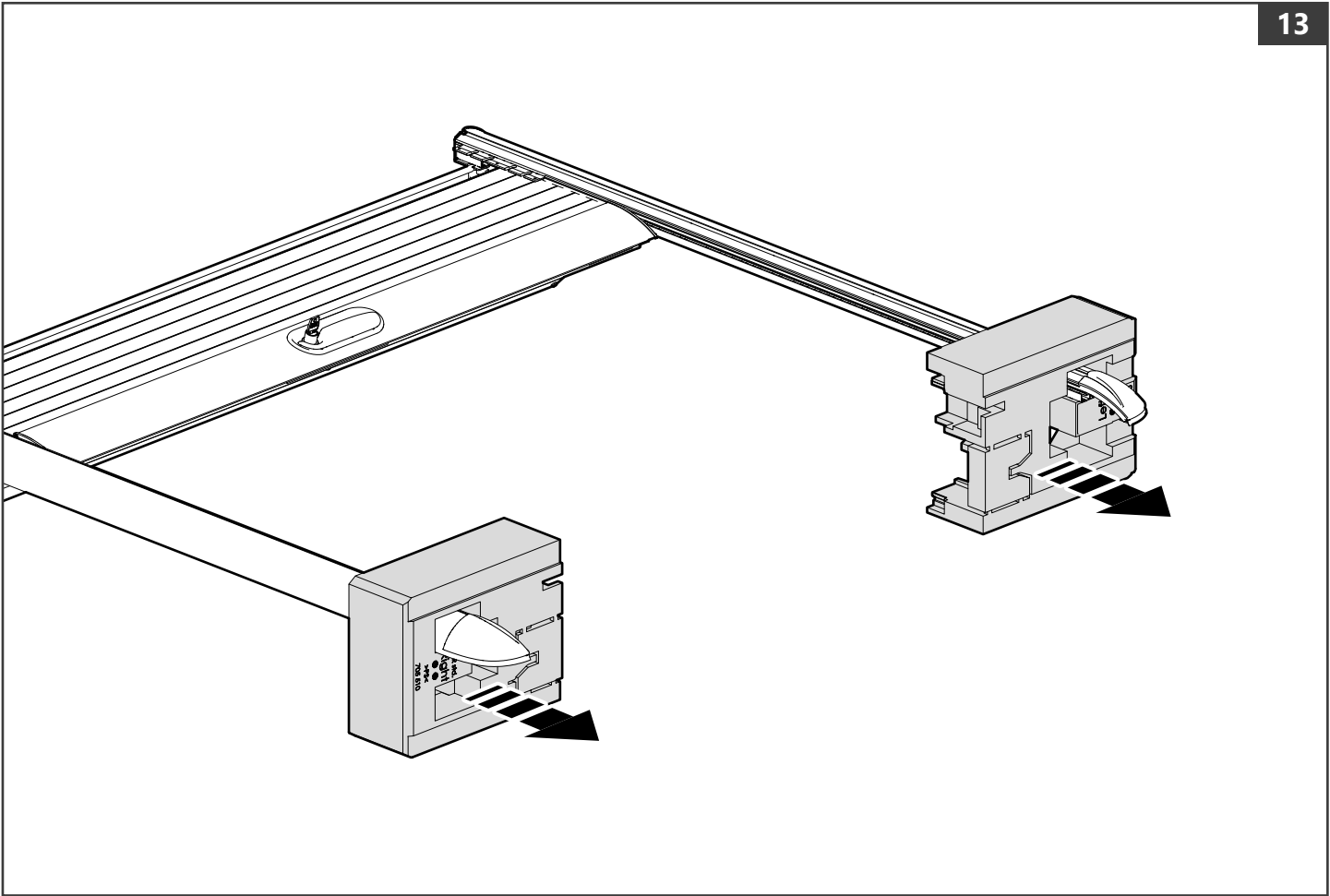


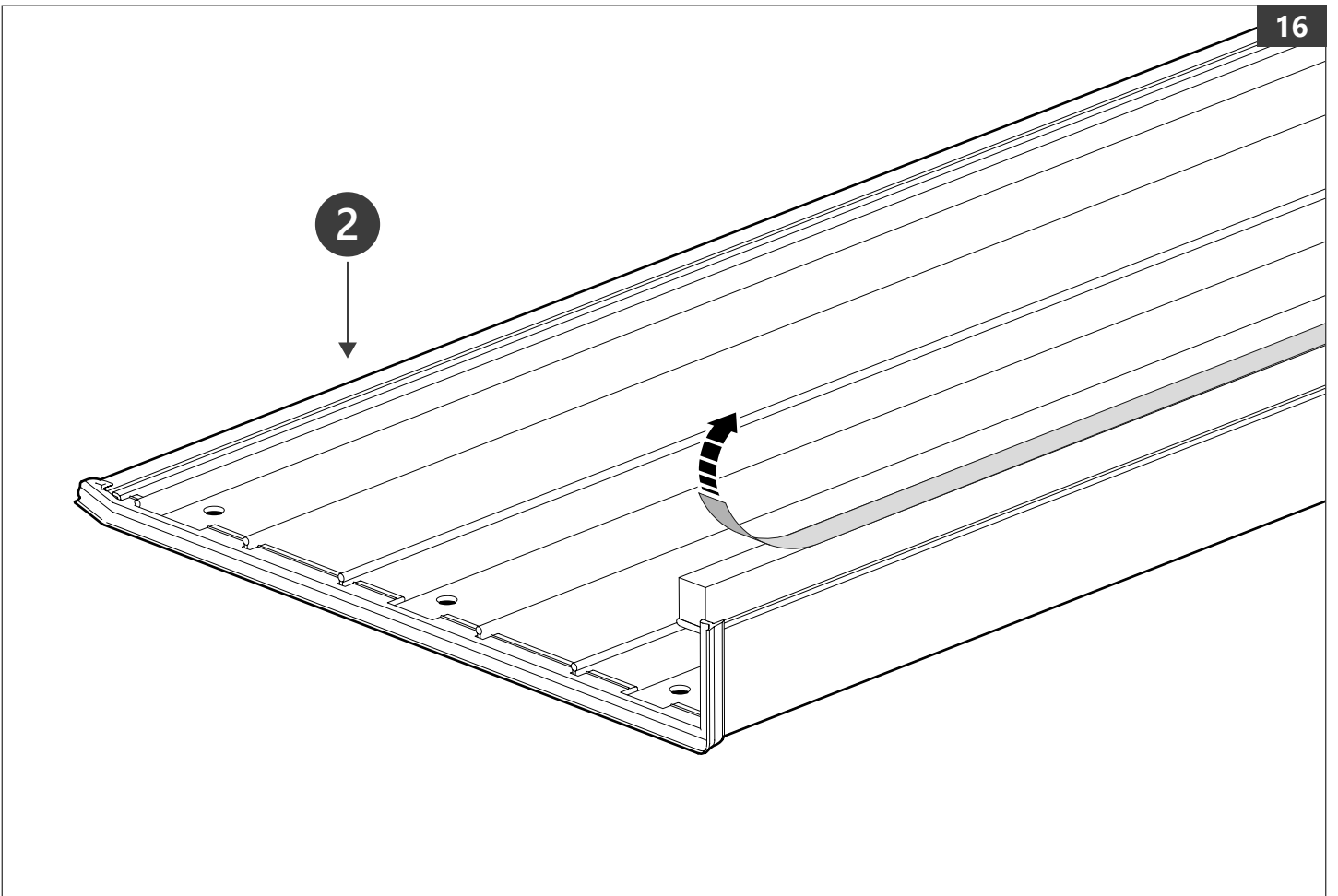
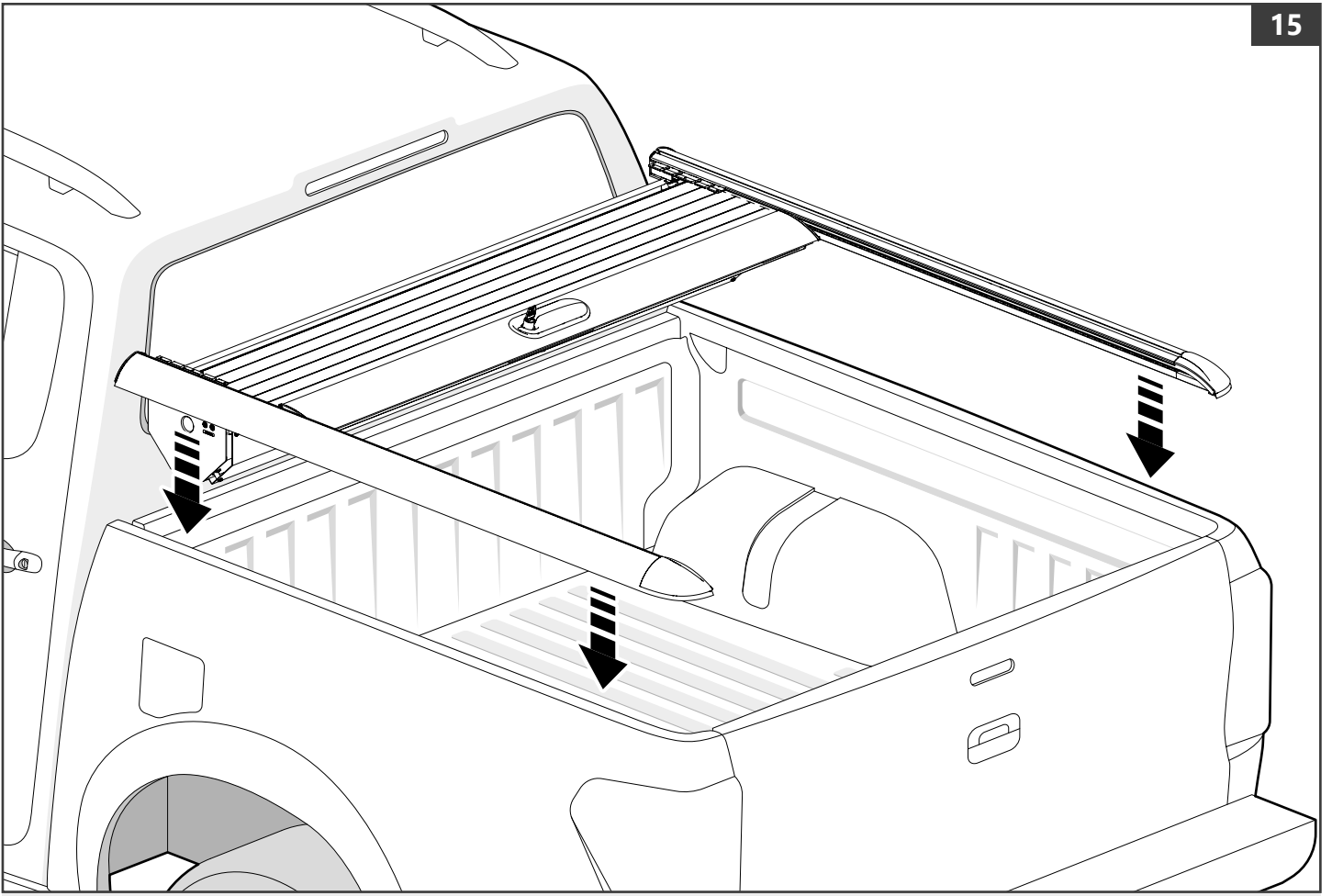


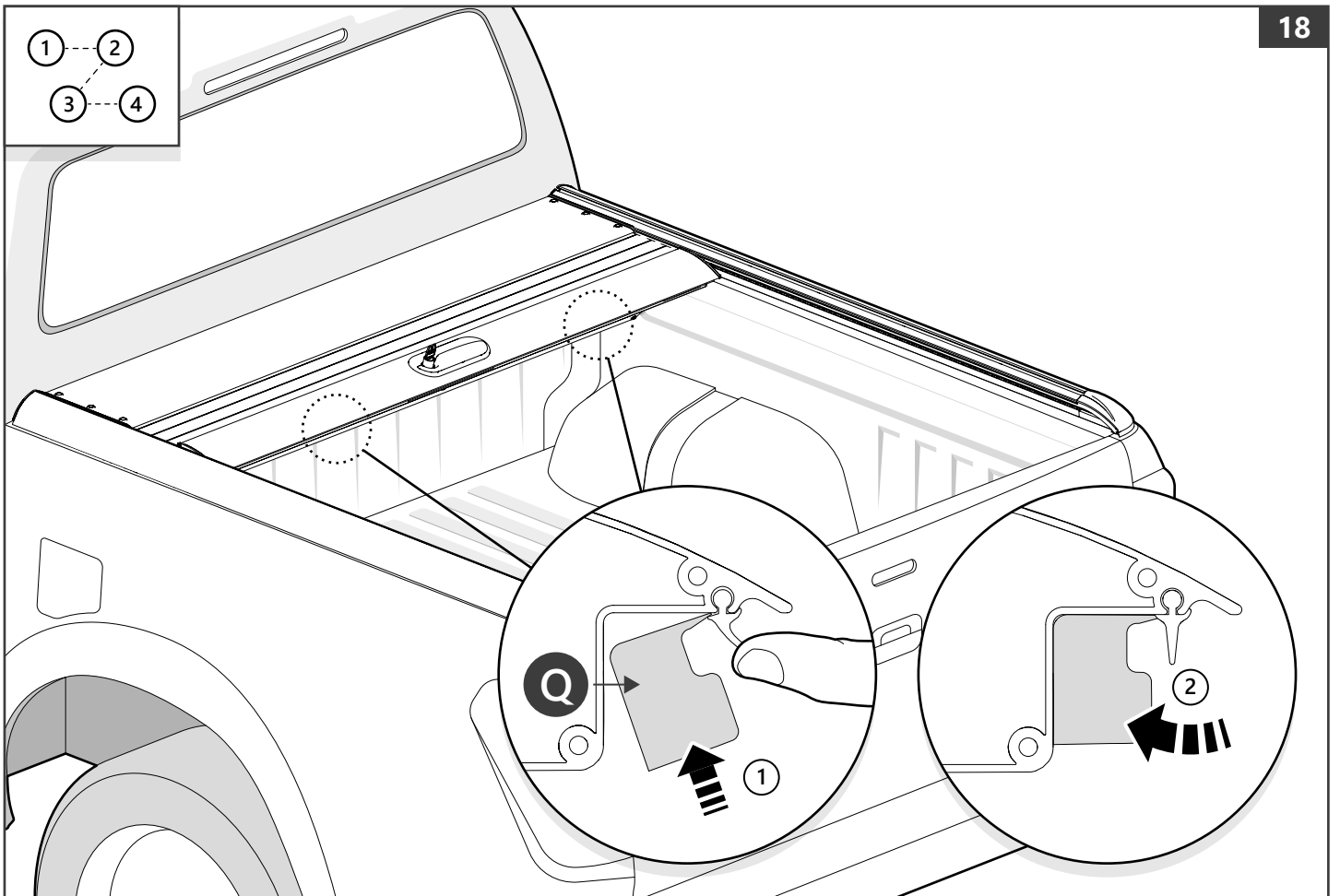
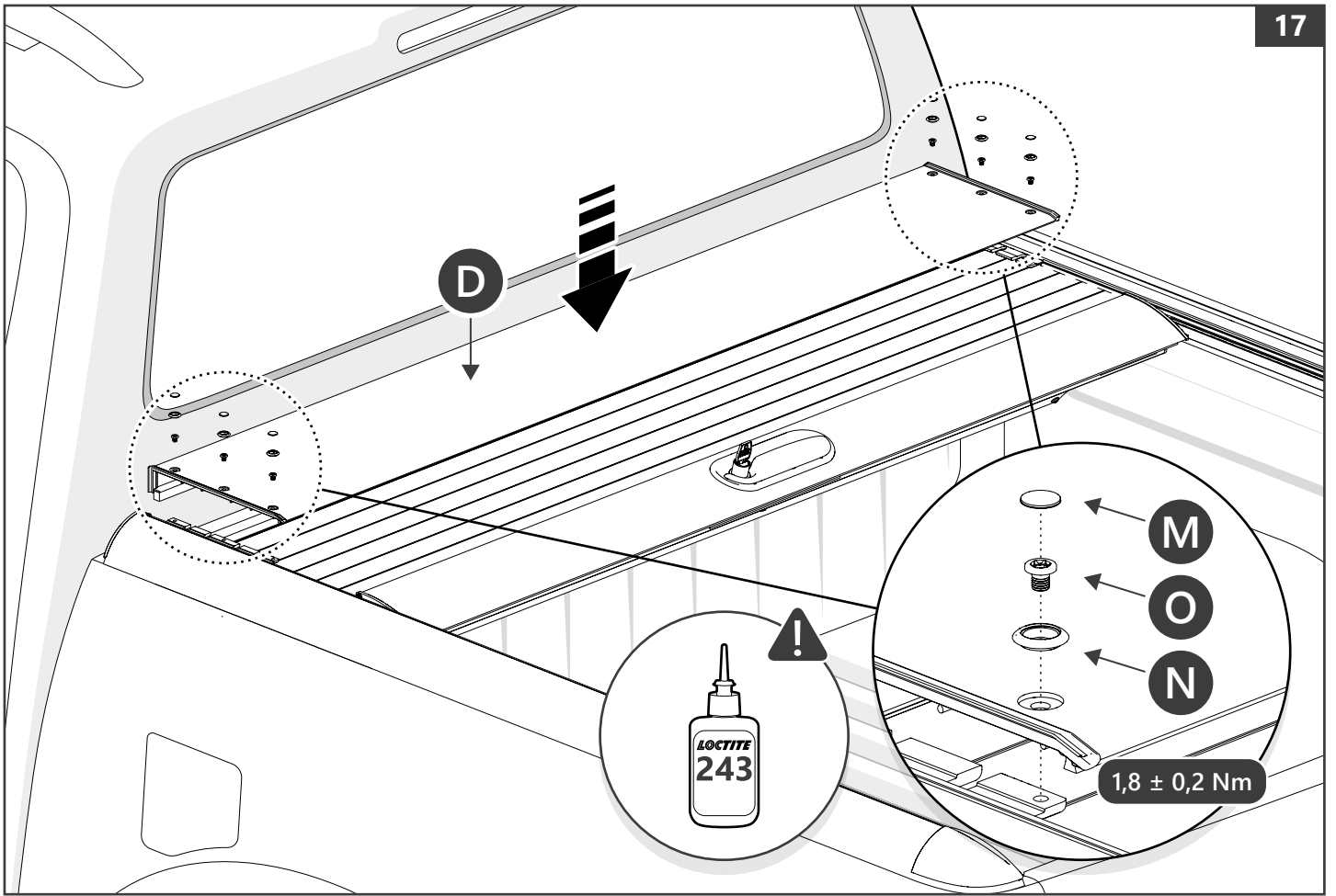


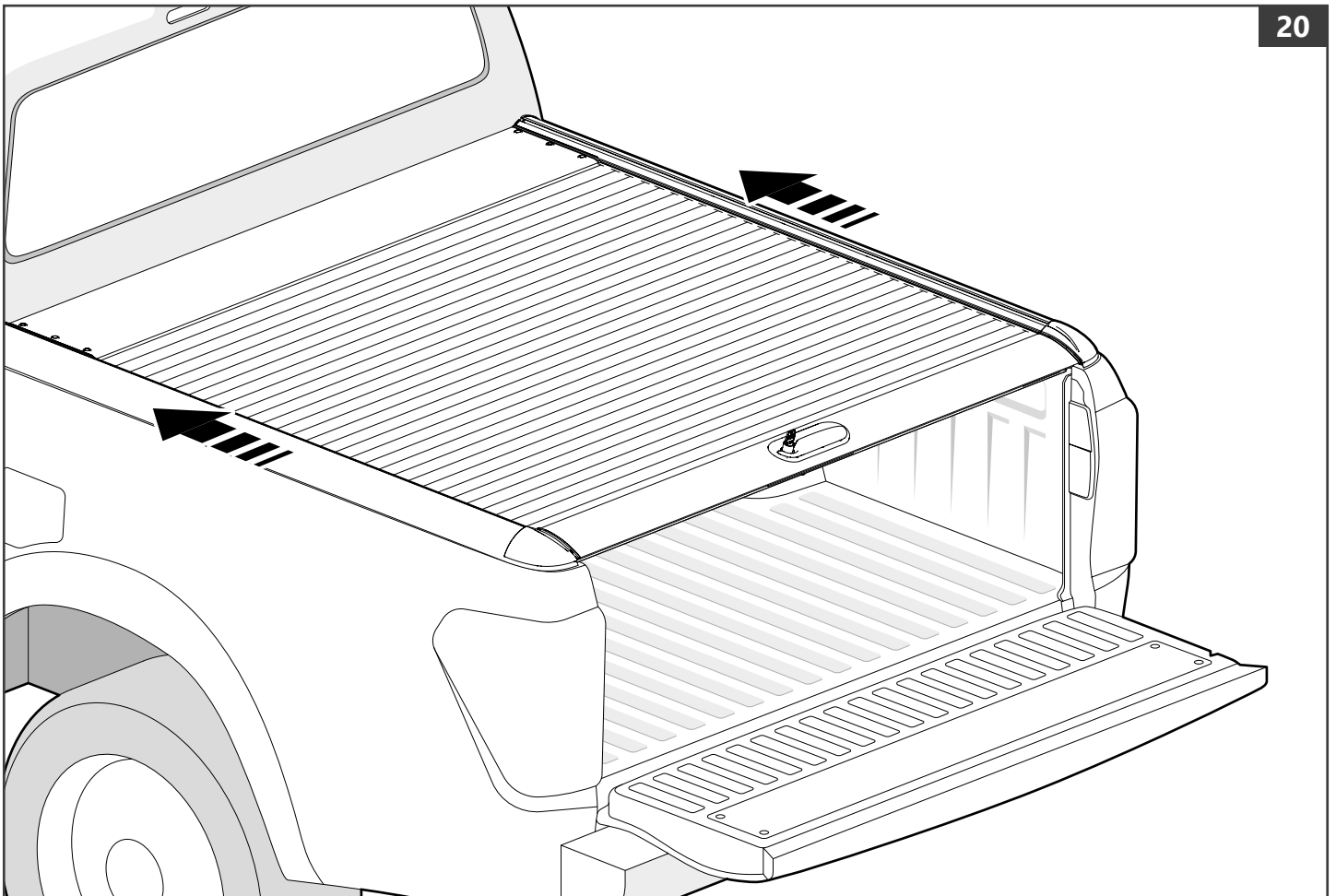
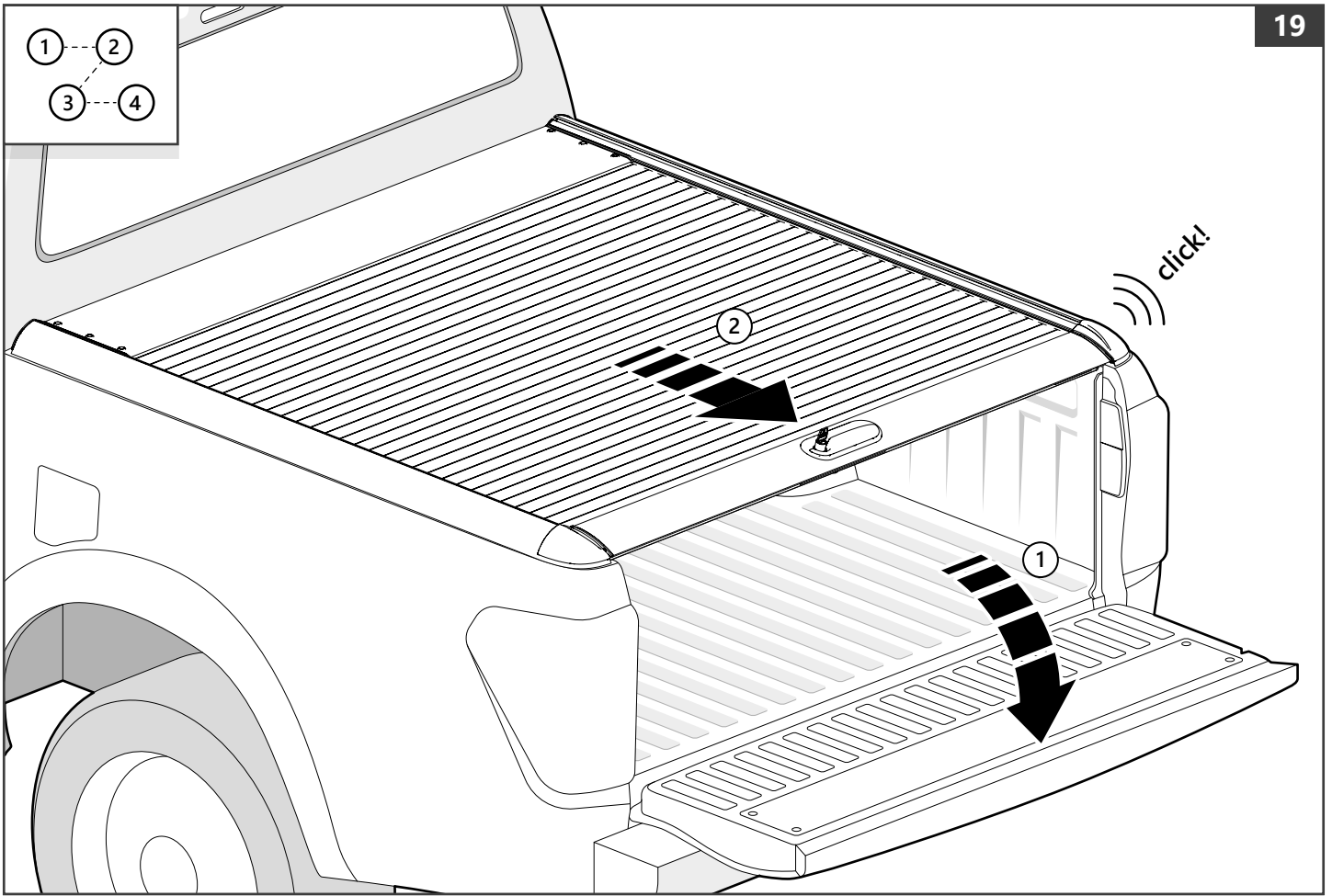


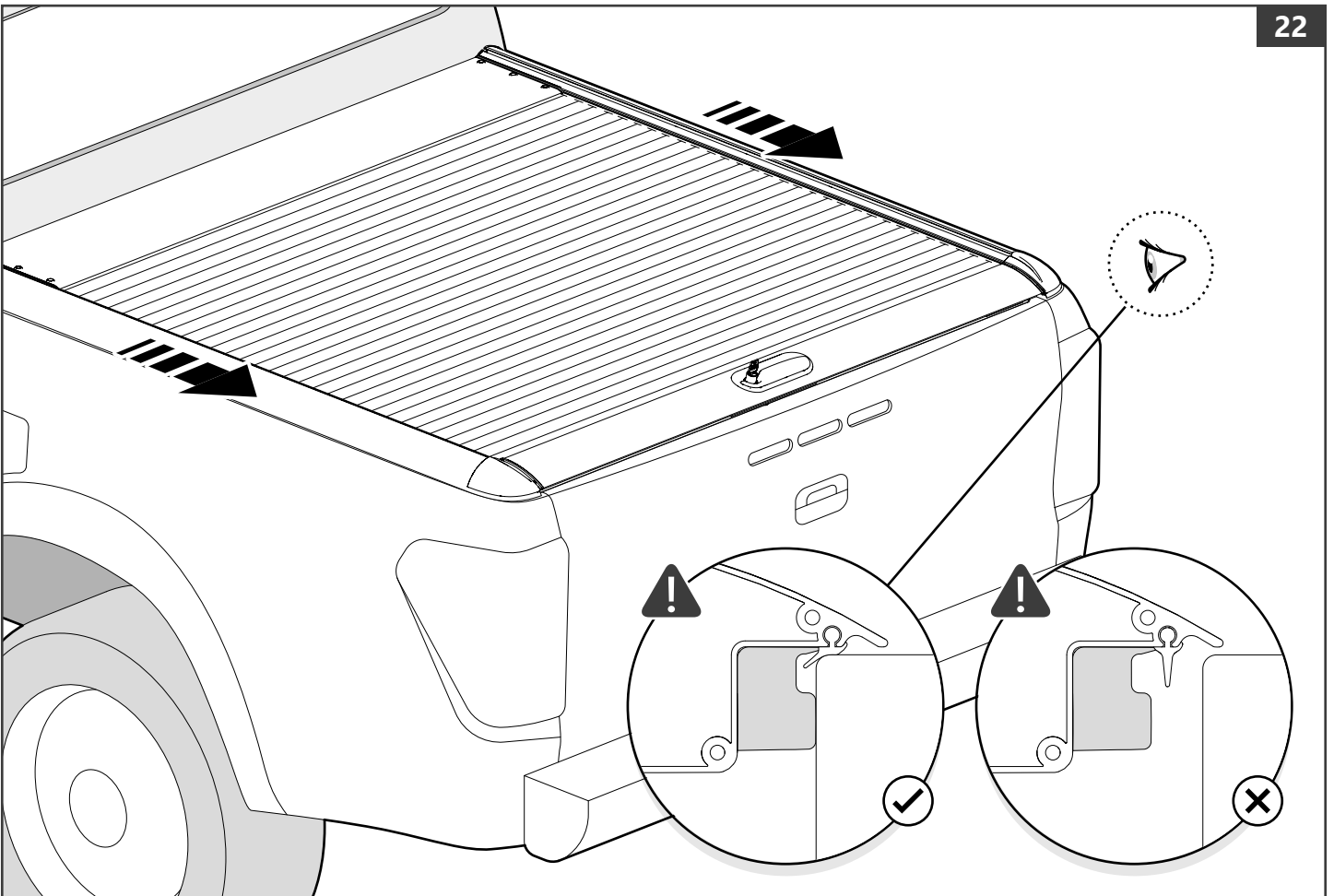
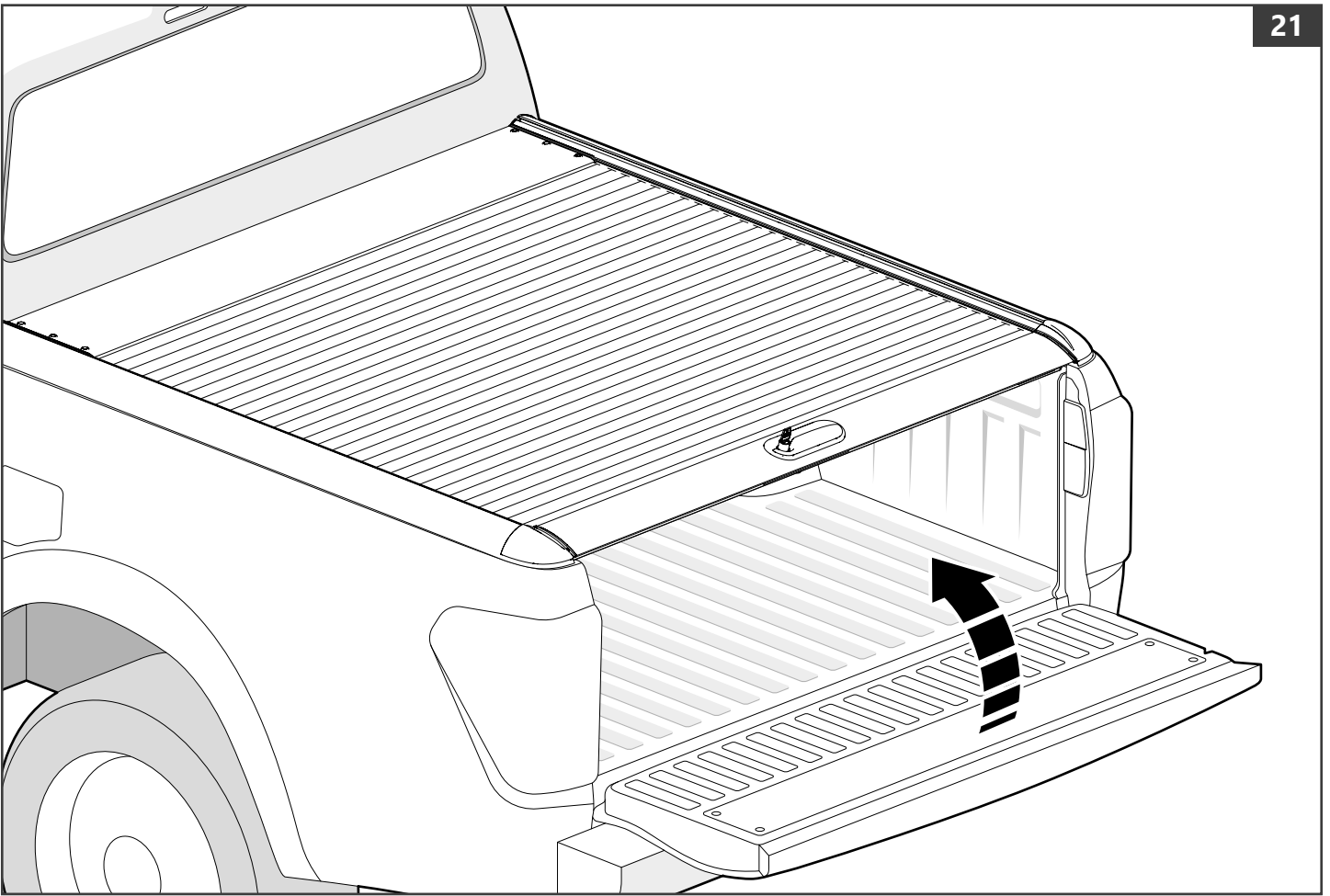


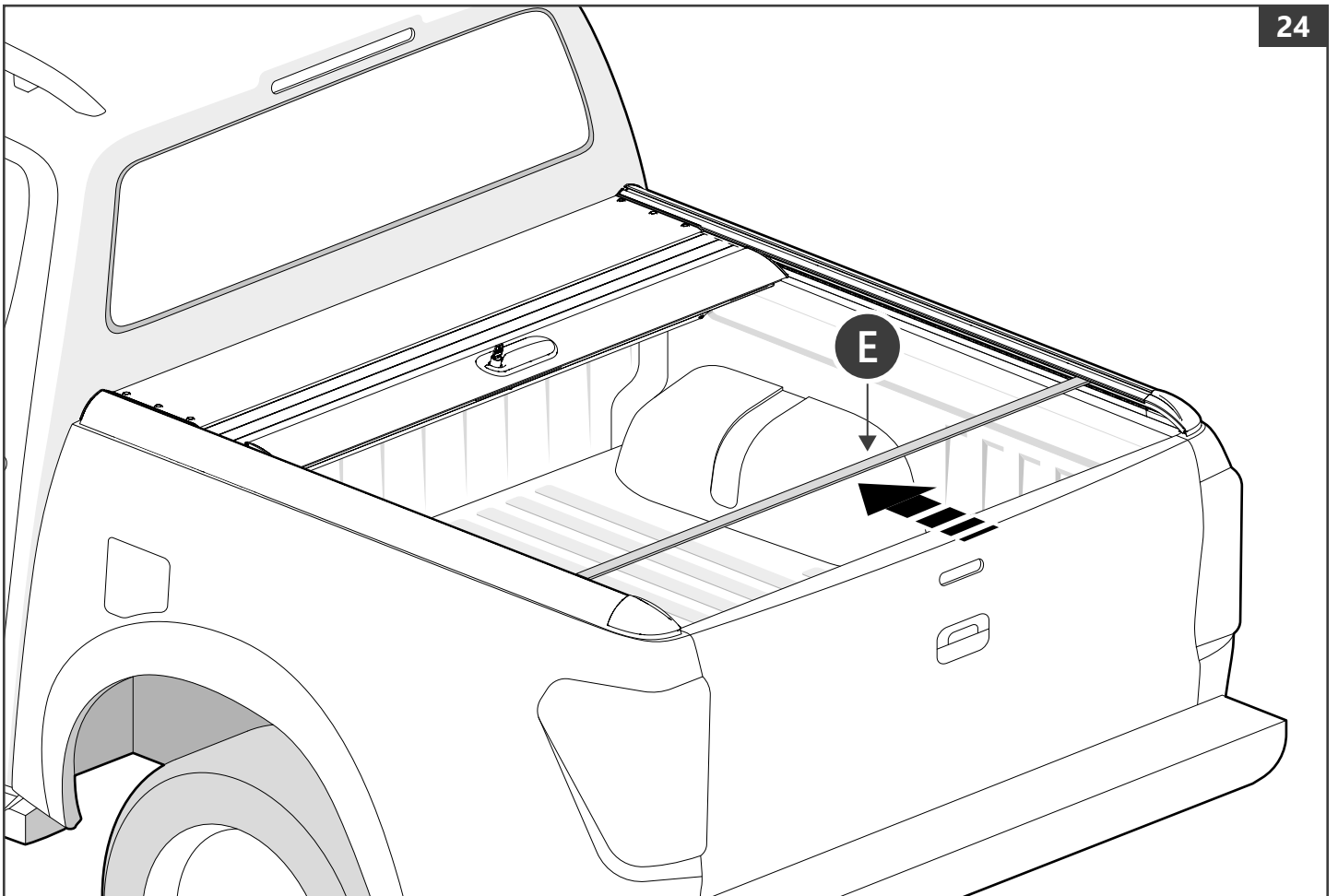
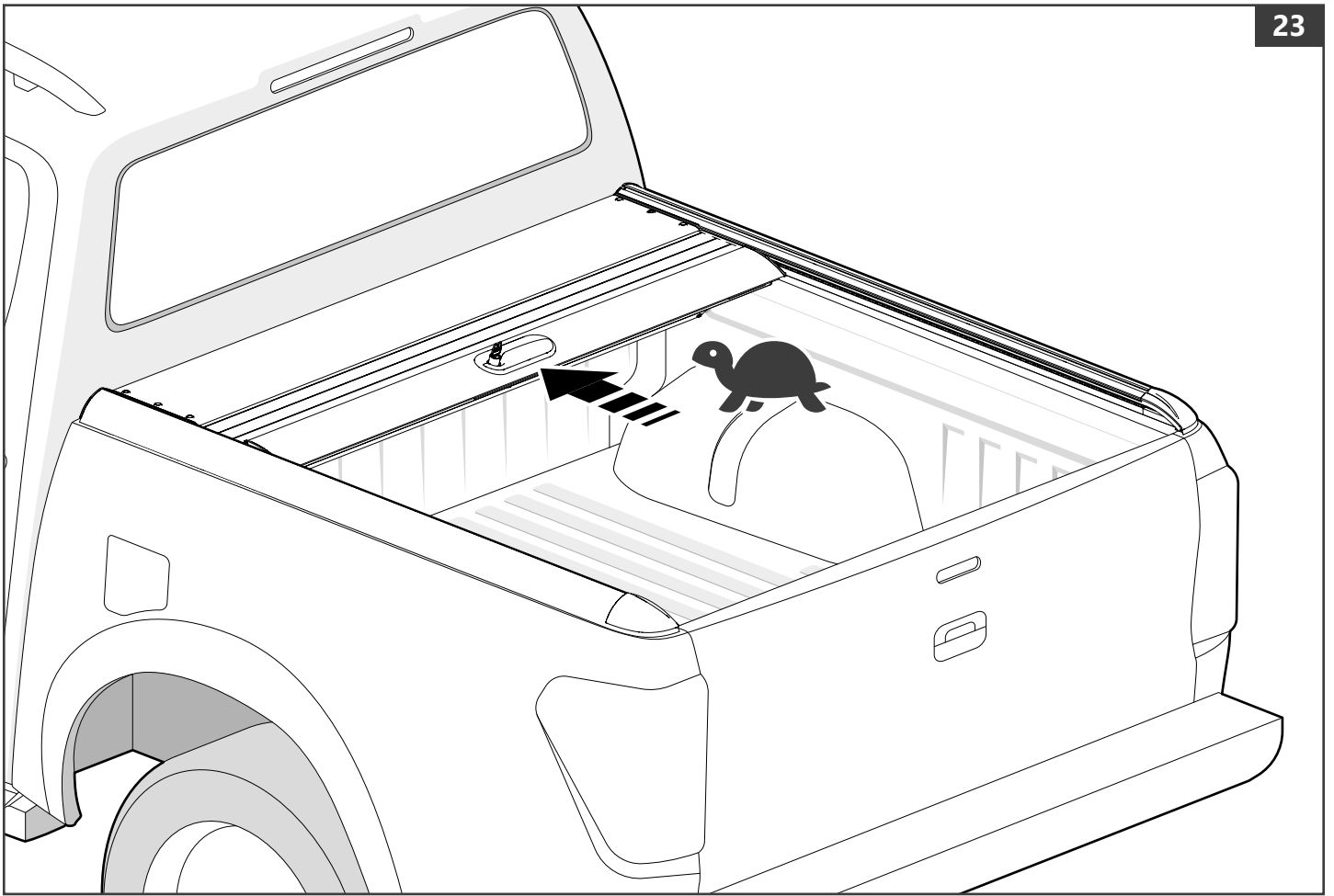


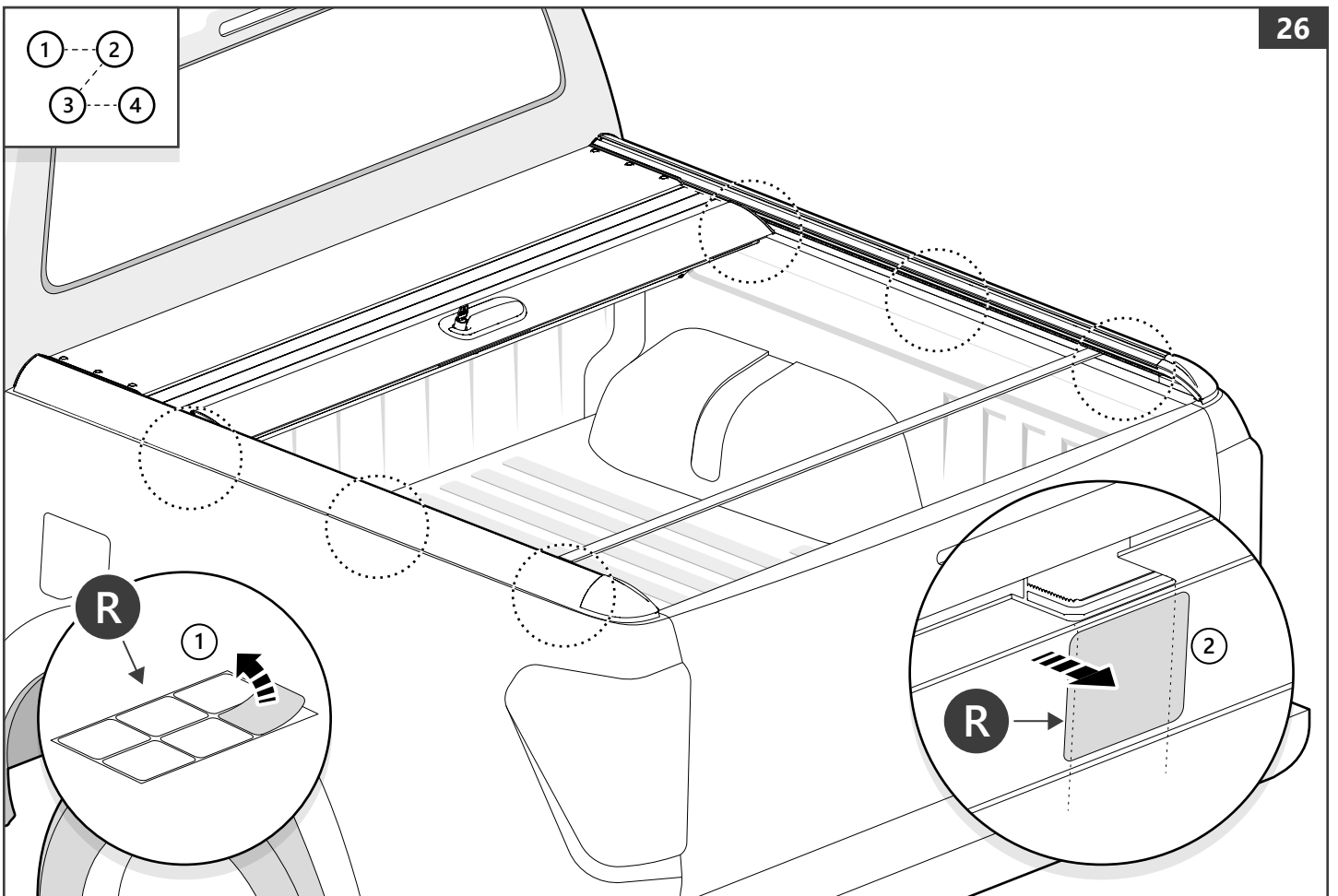
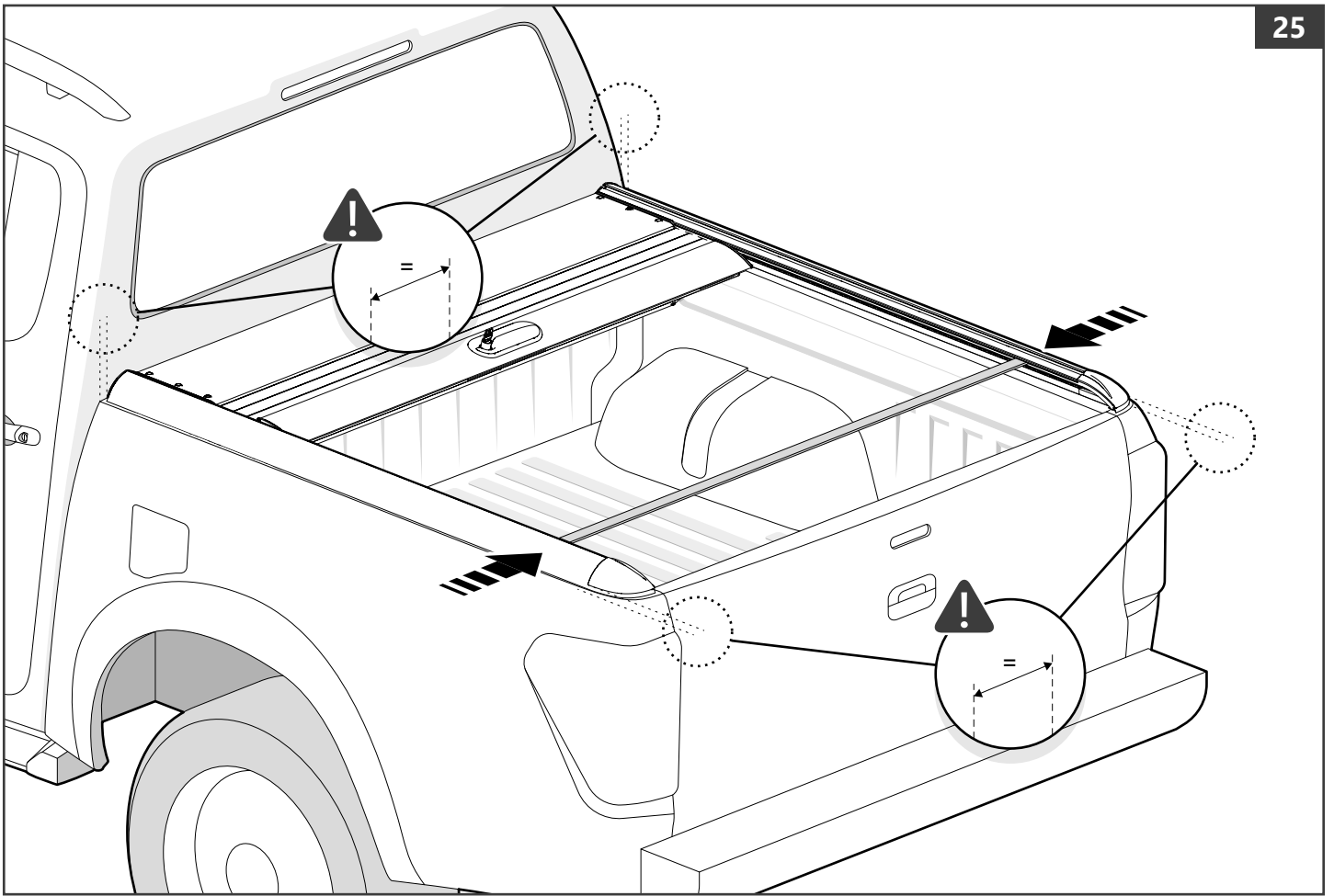


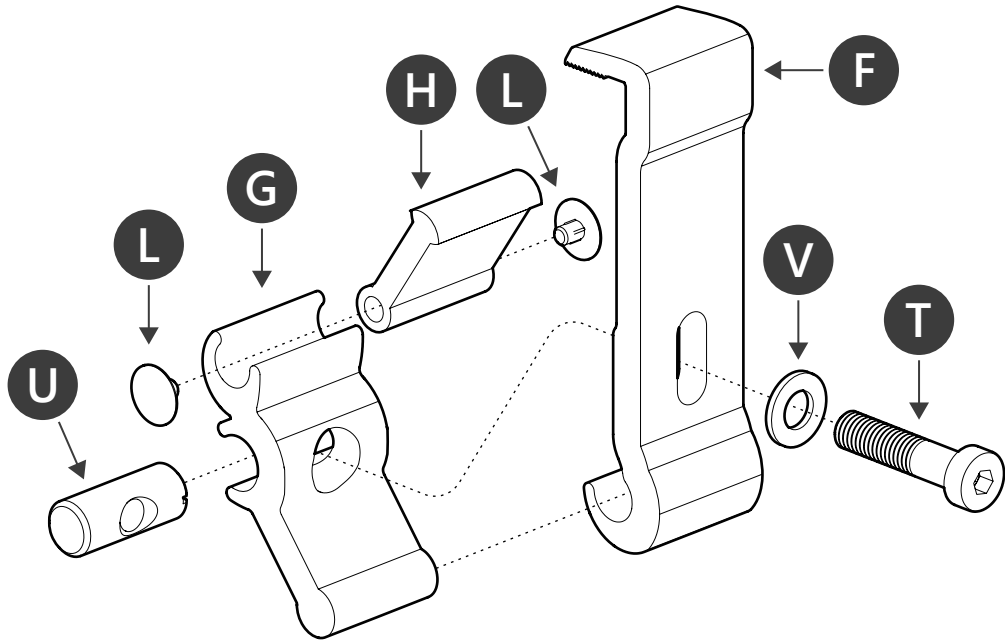




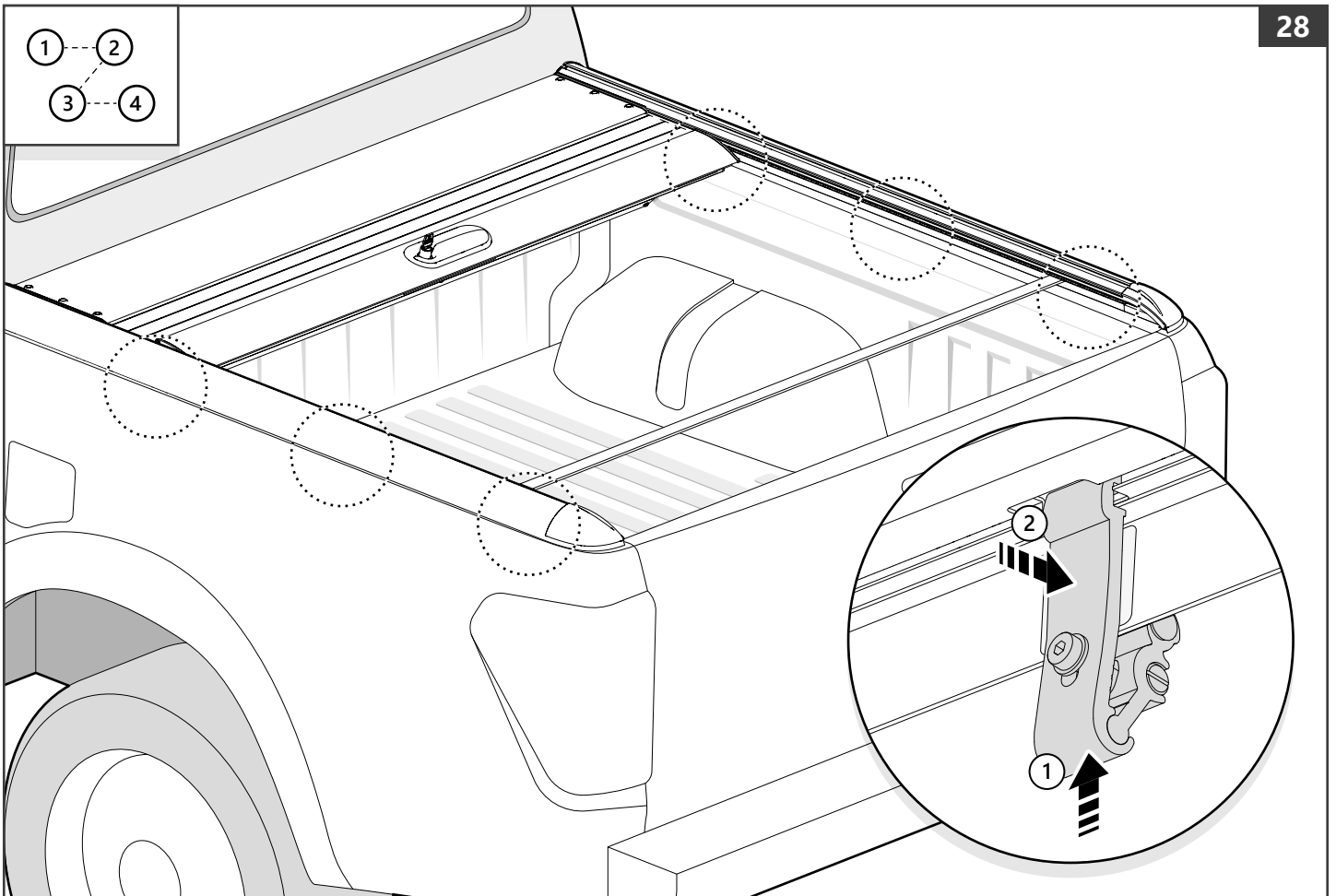


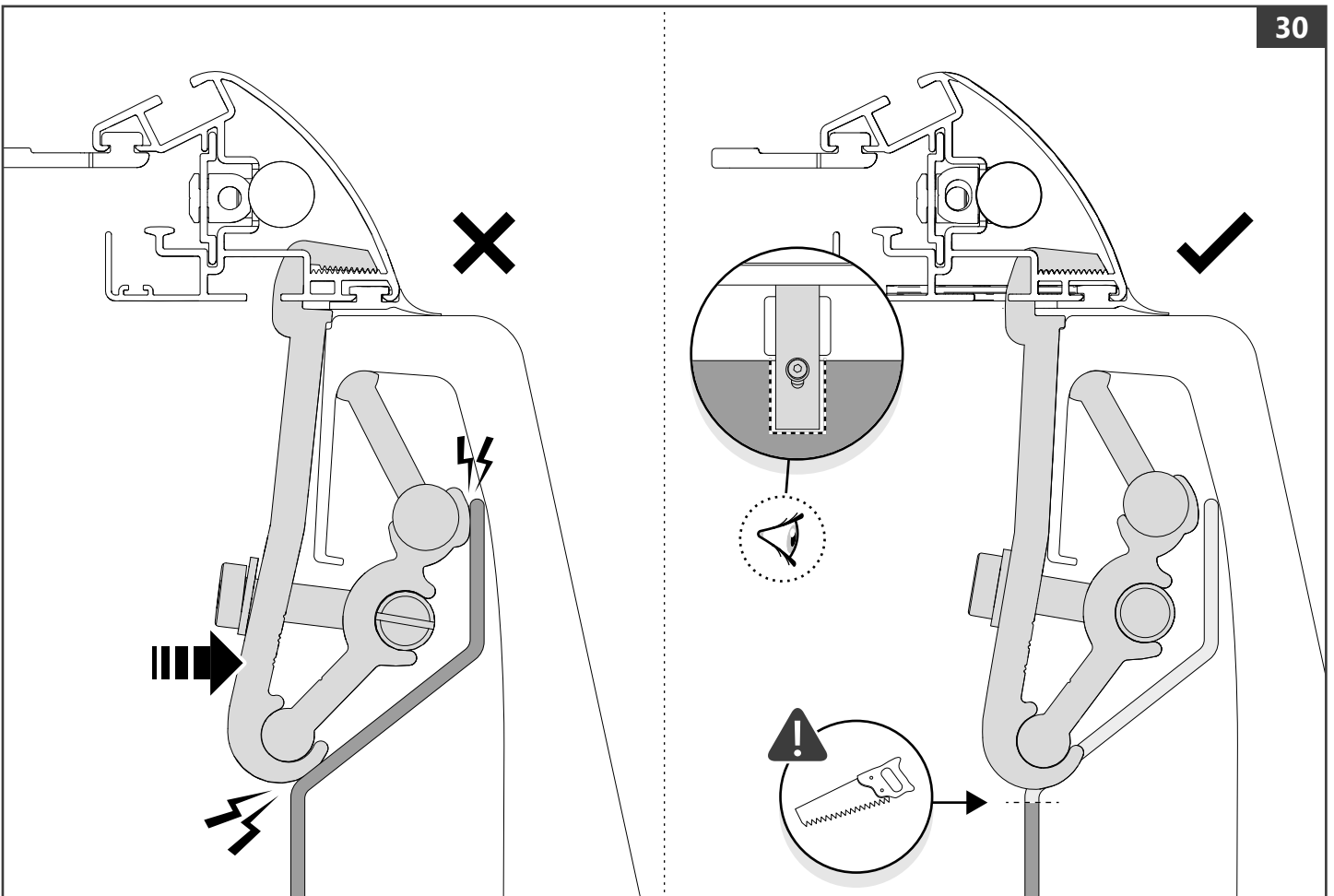
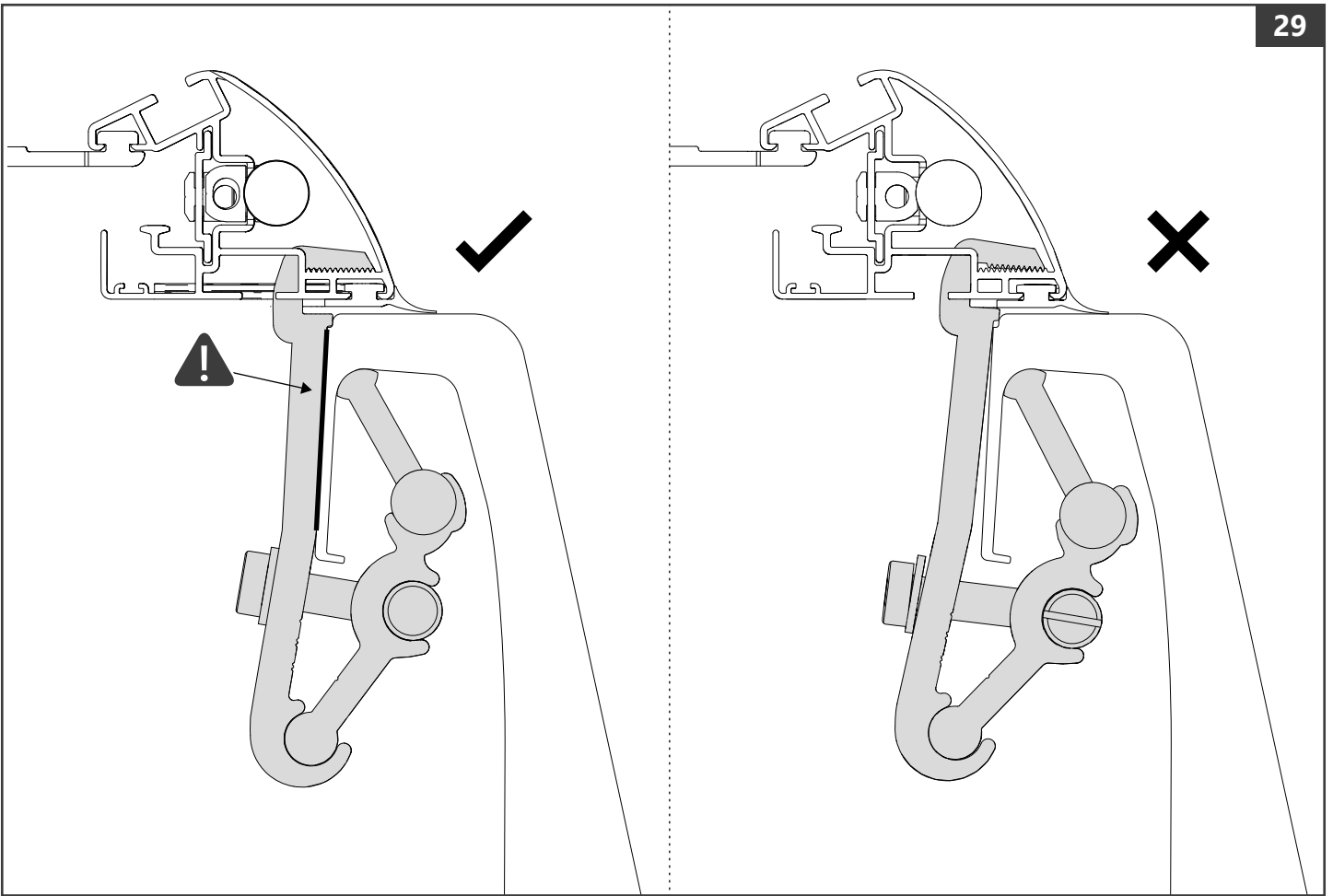


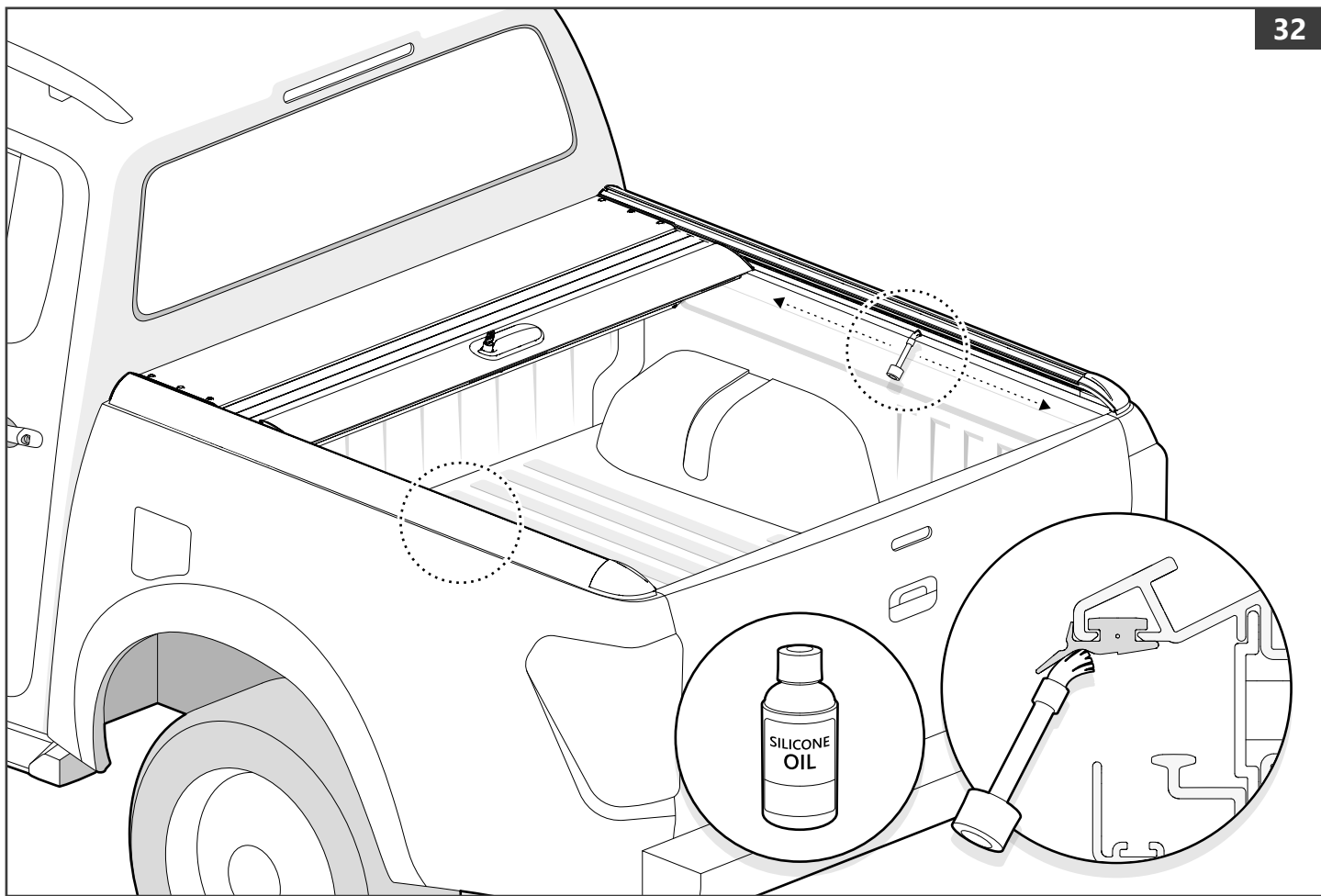
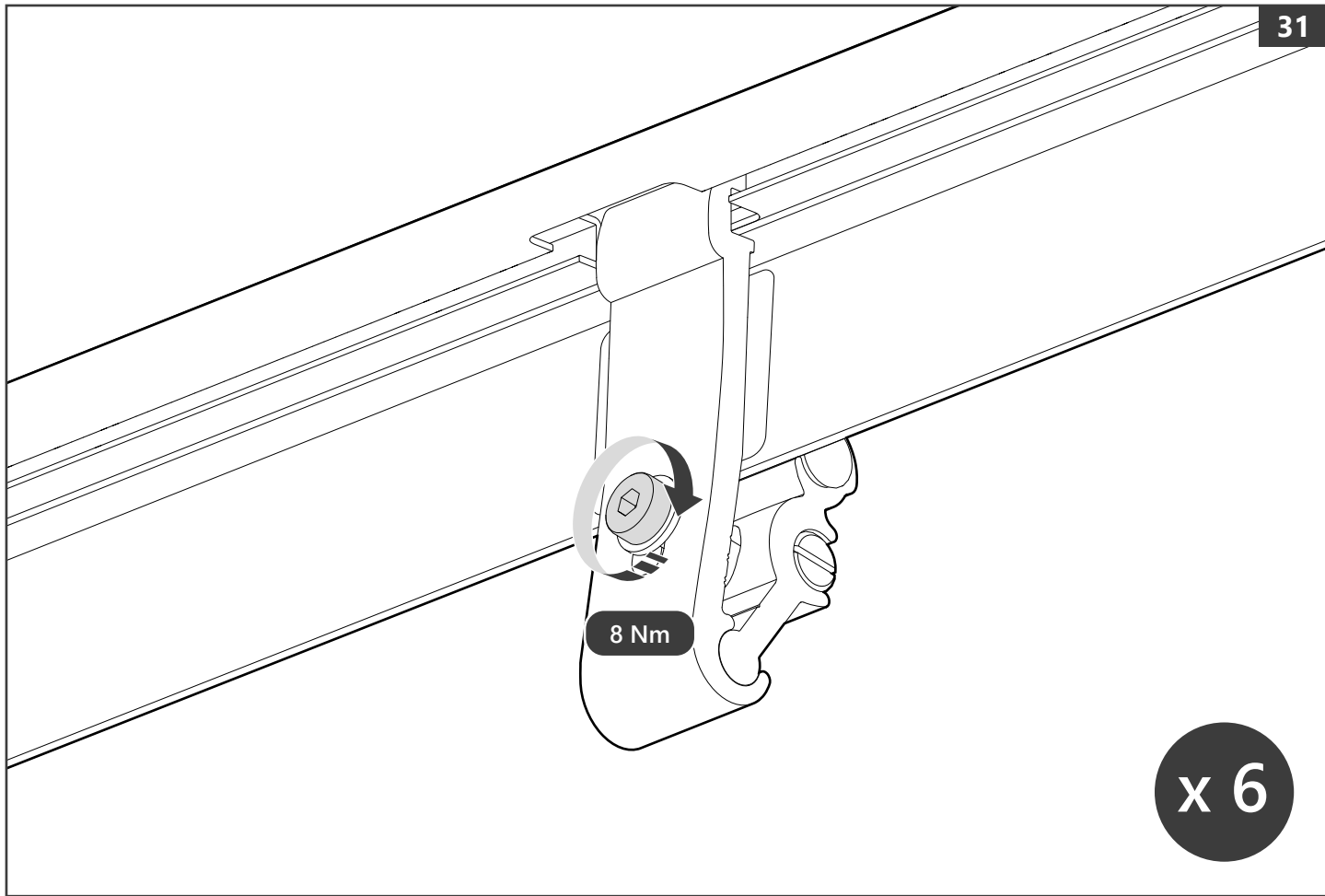


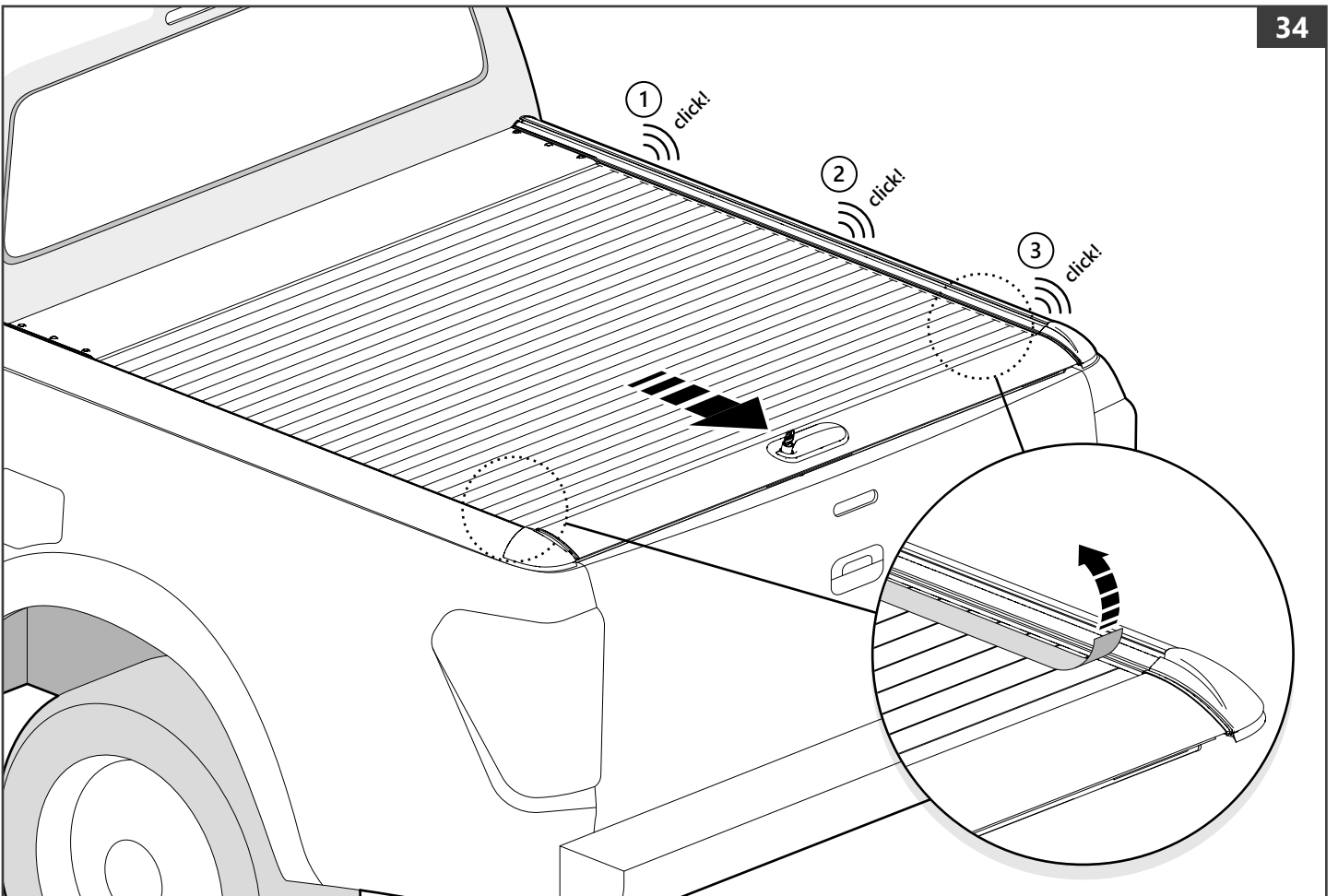
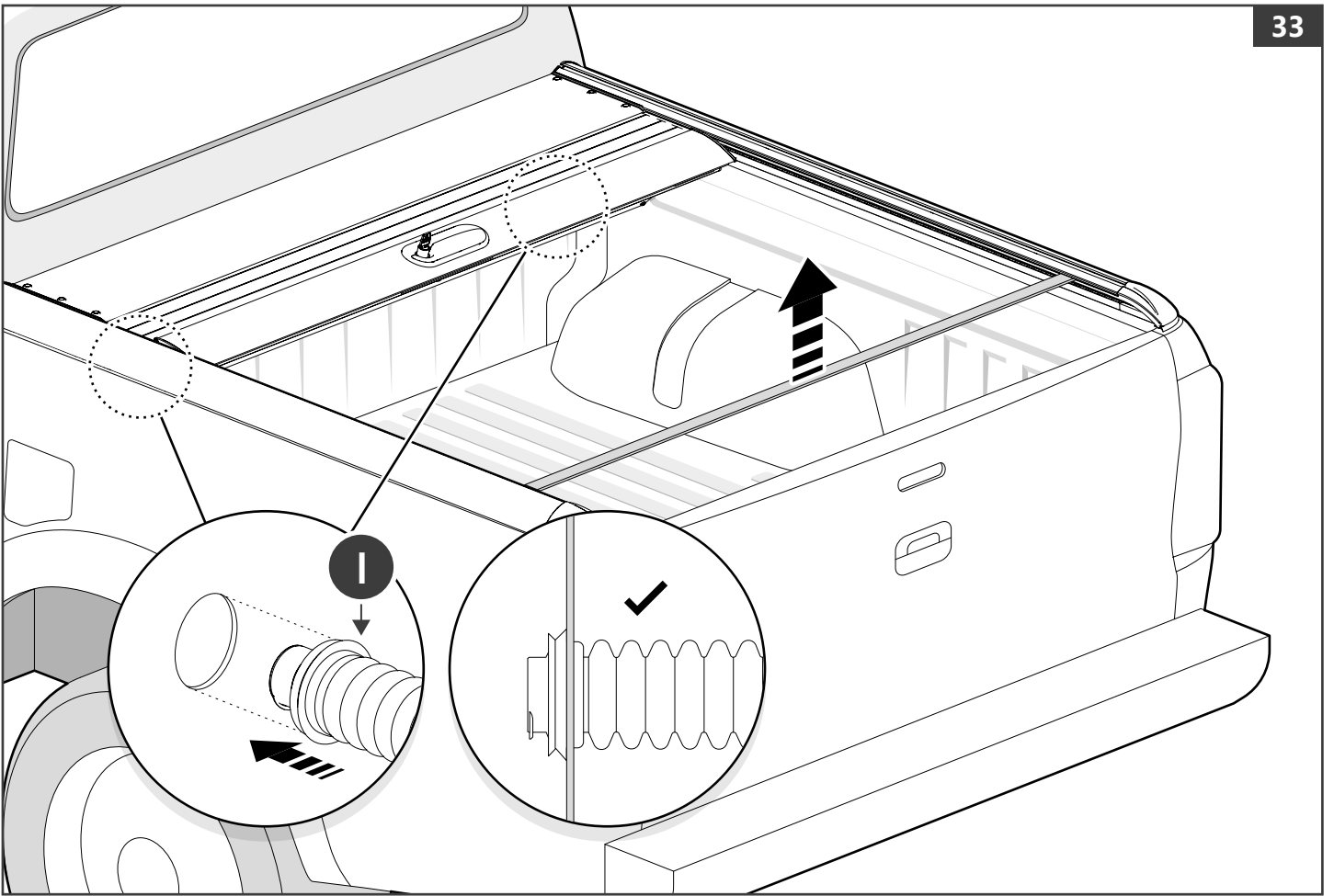


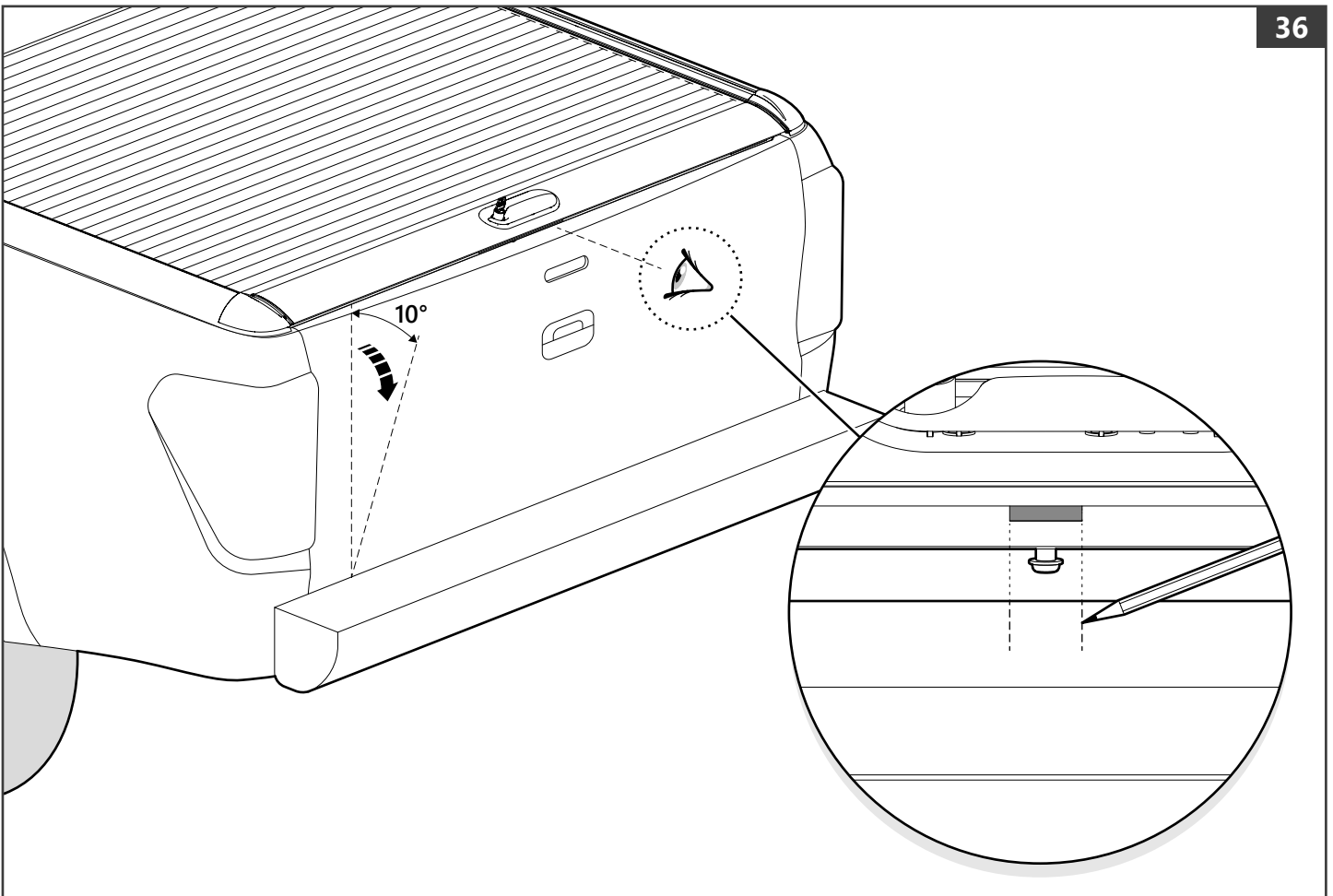
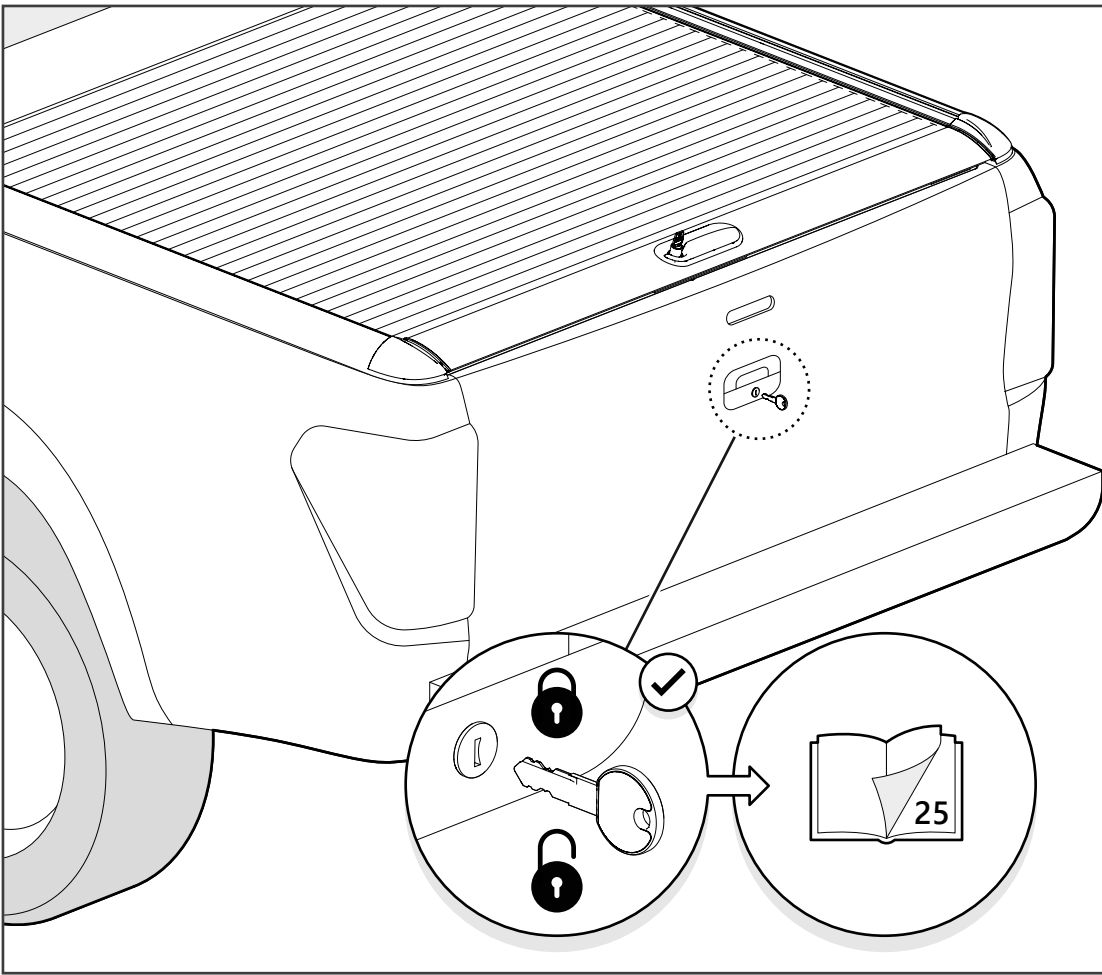
x 6

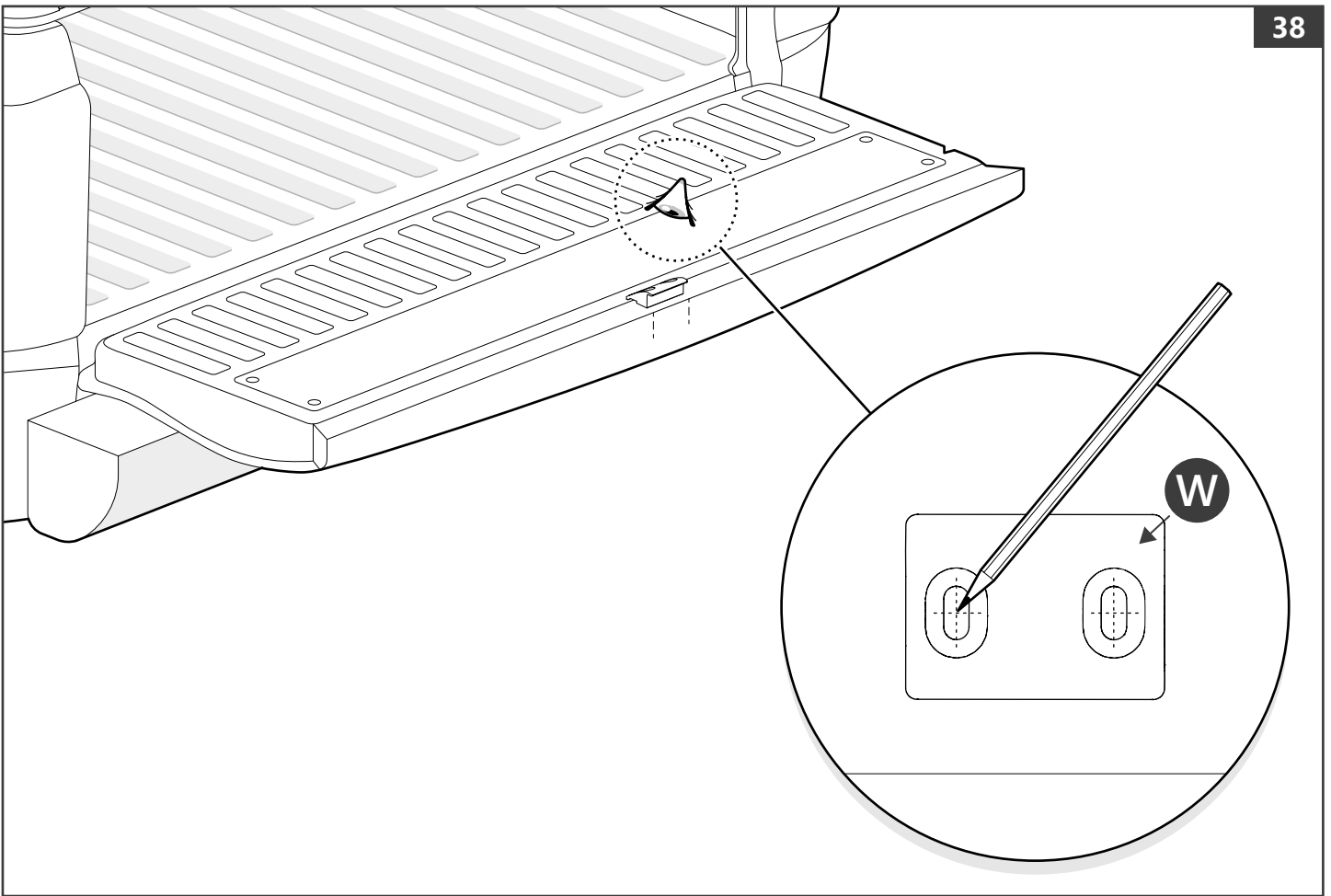
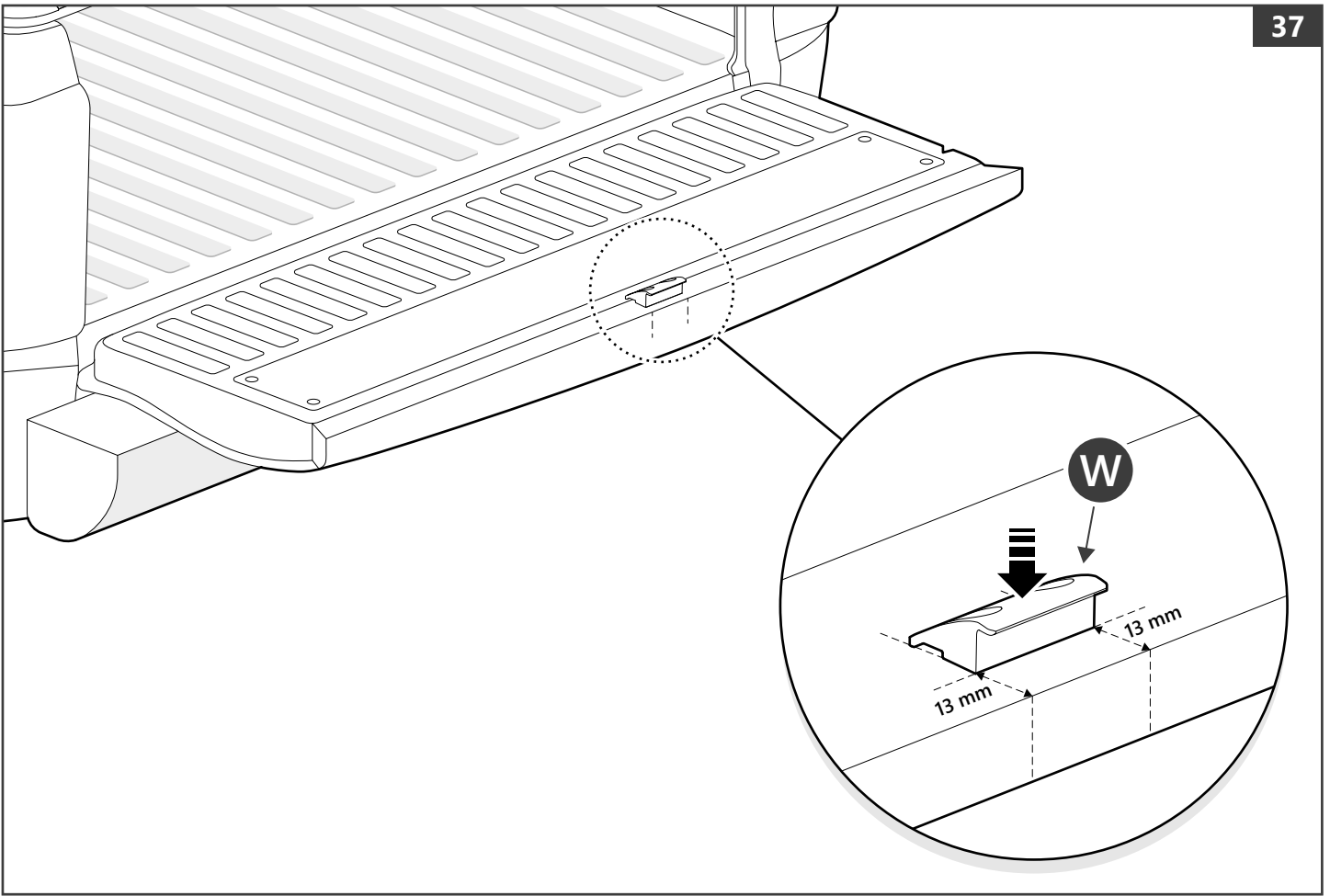


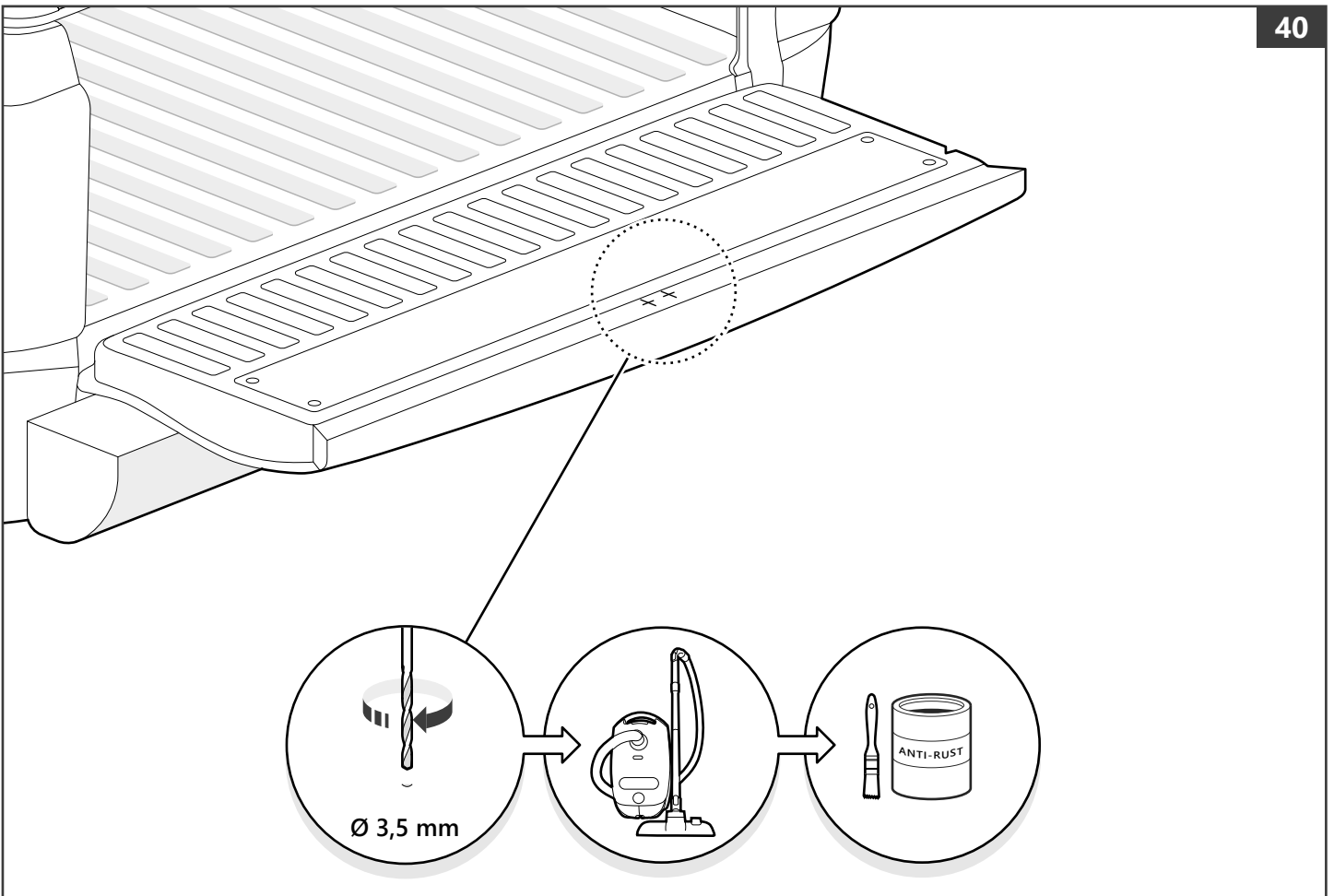
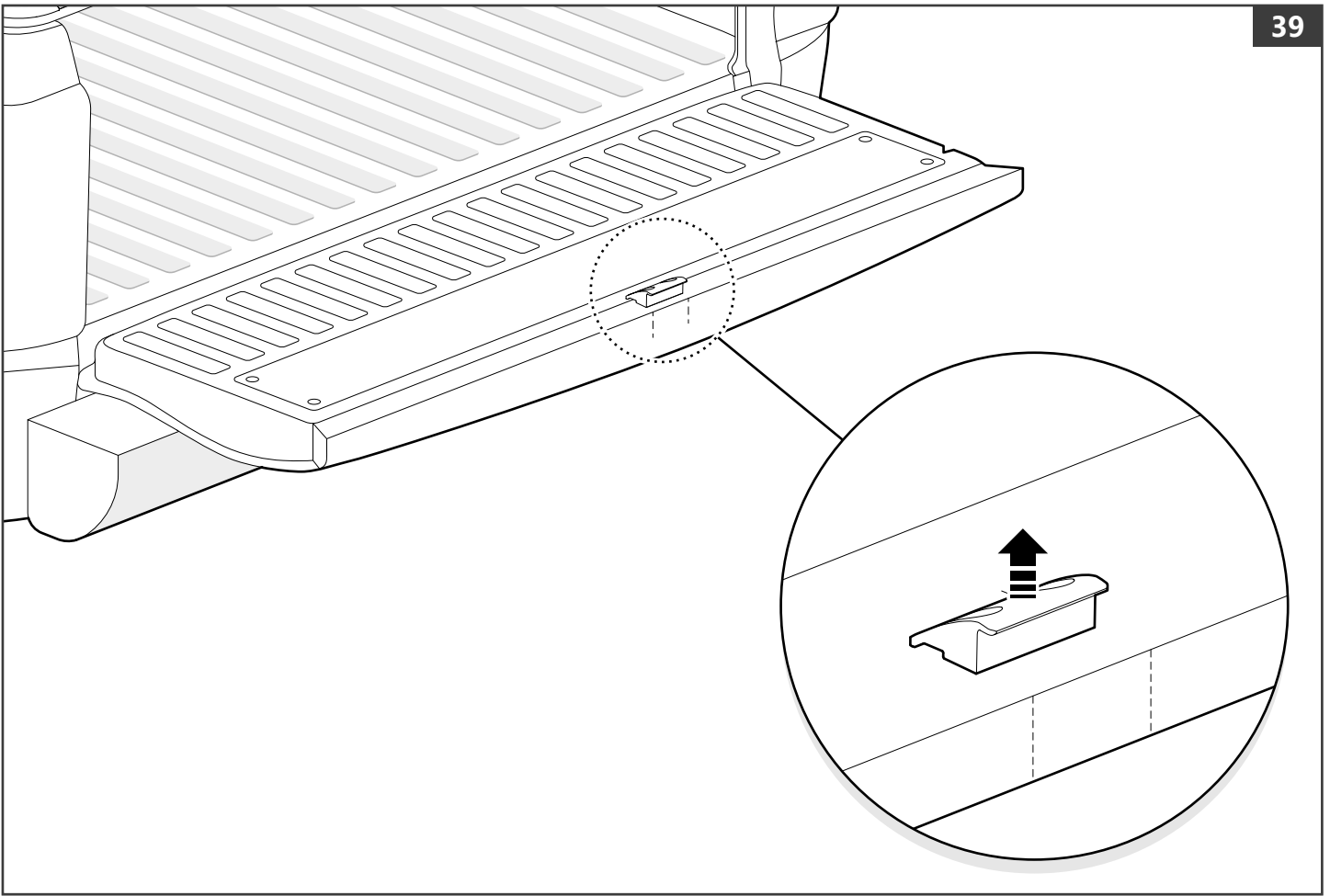


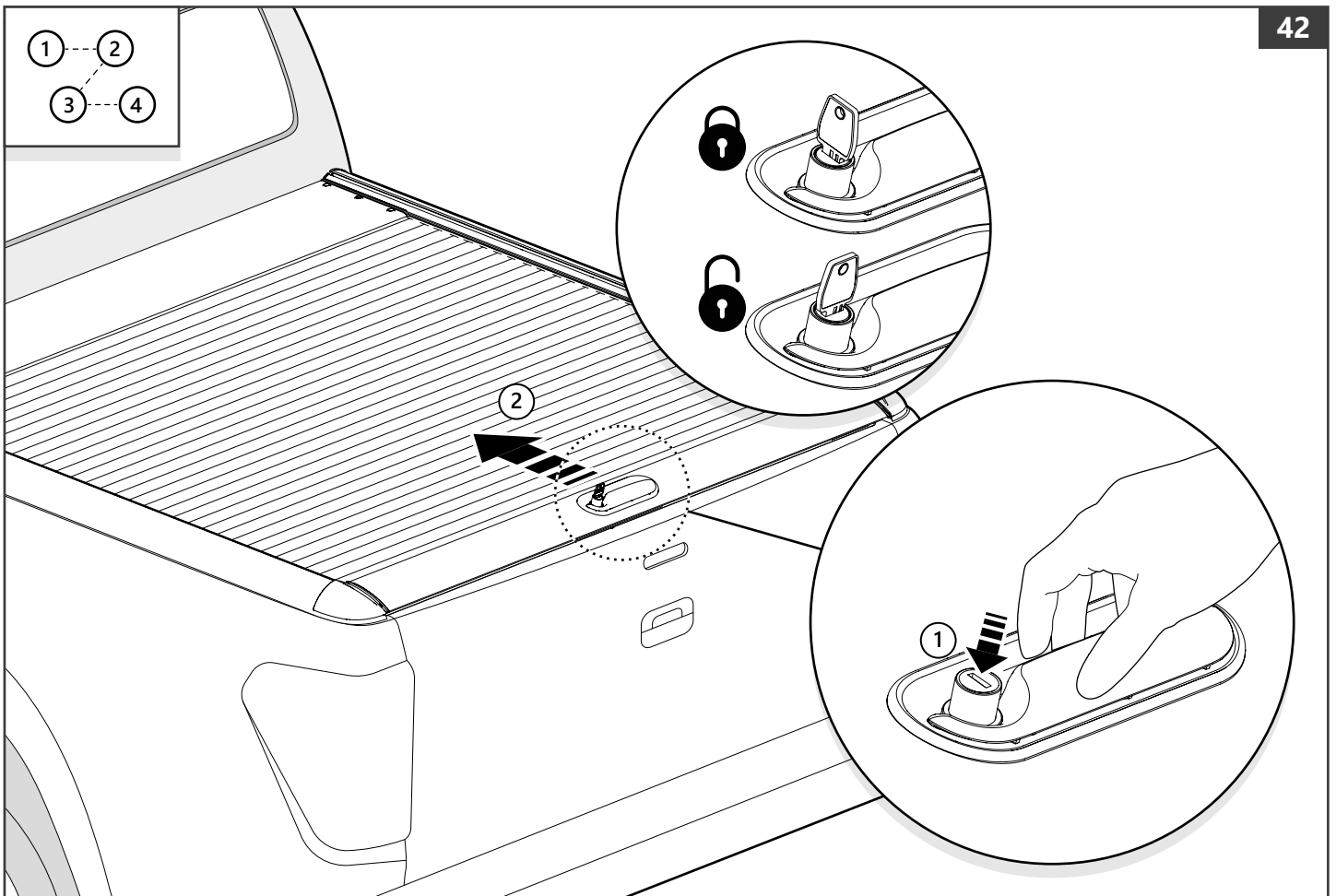
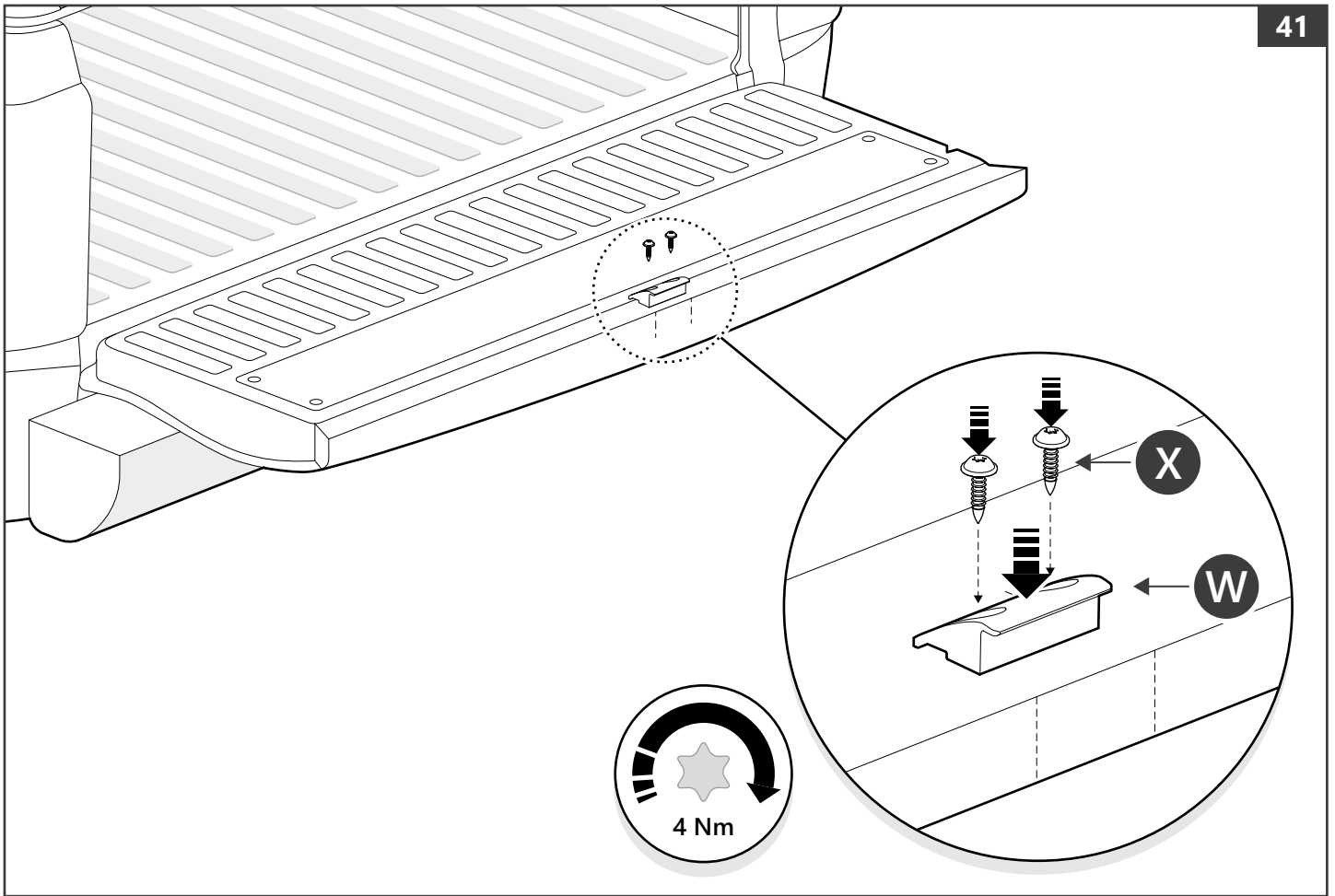


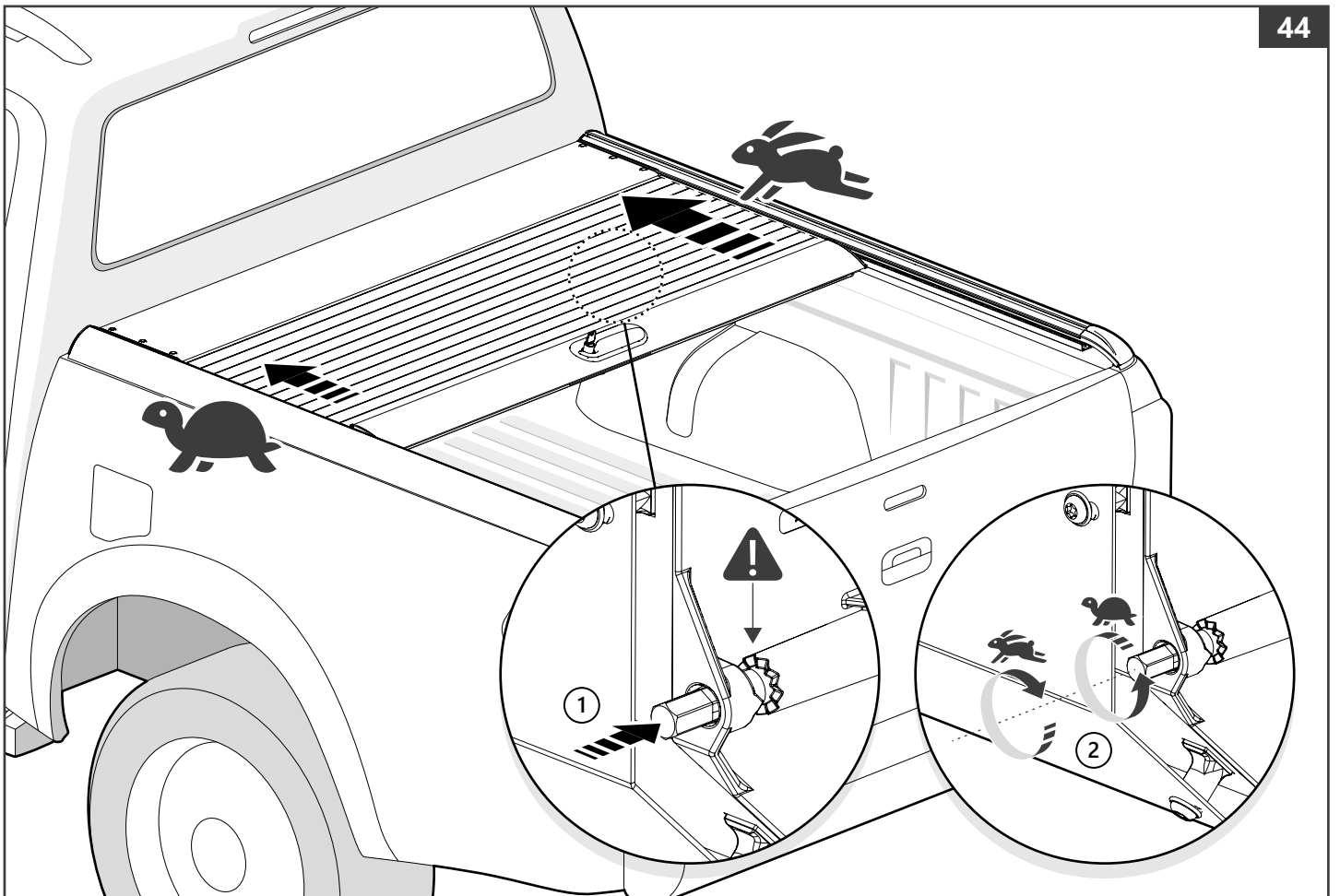
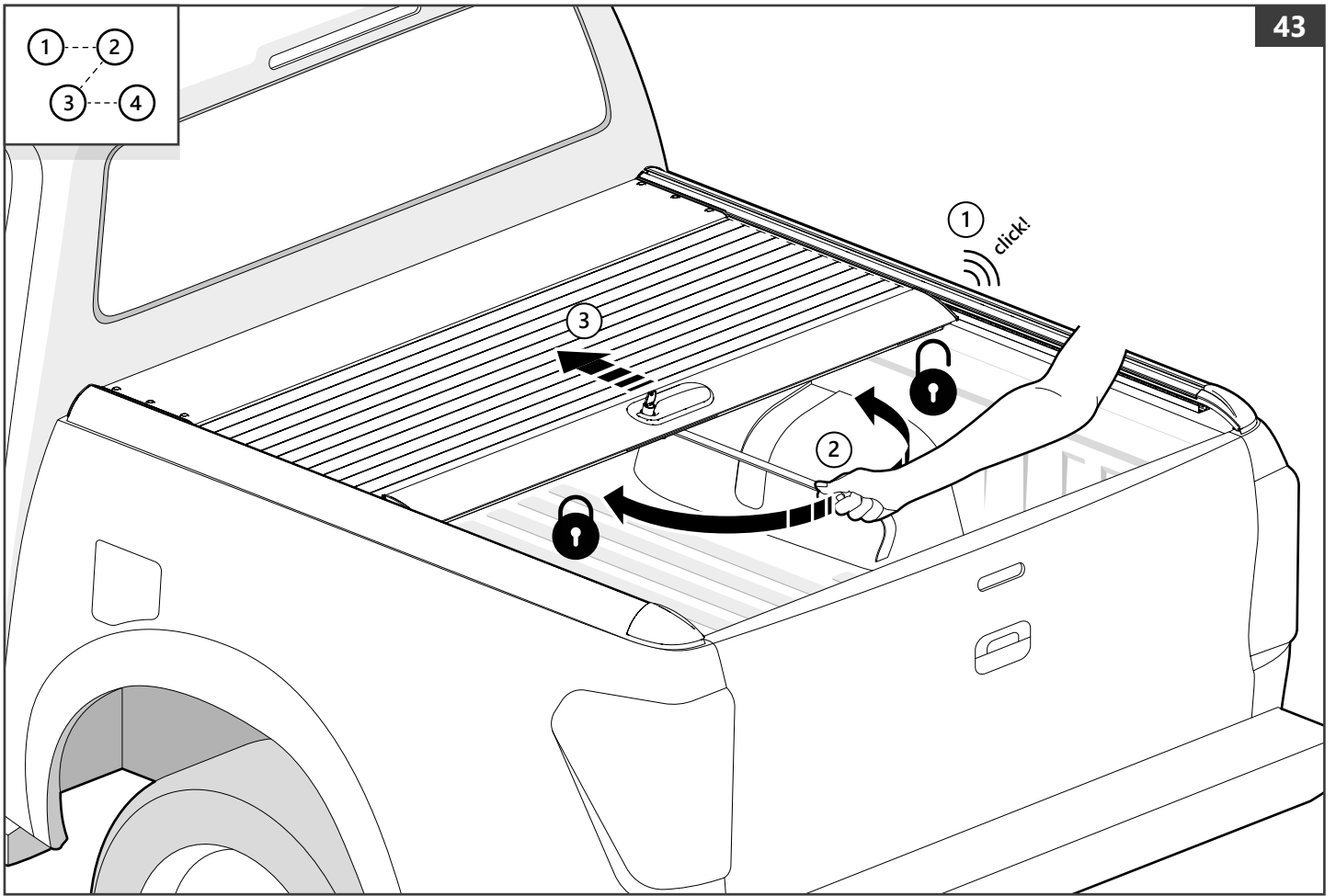


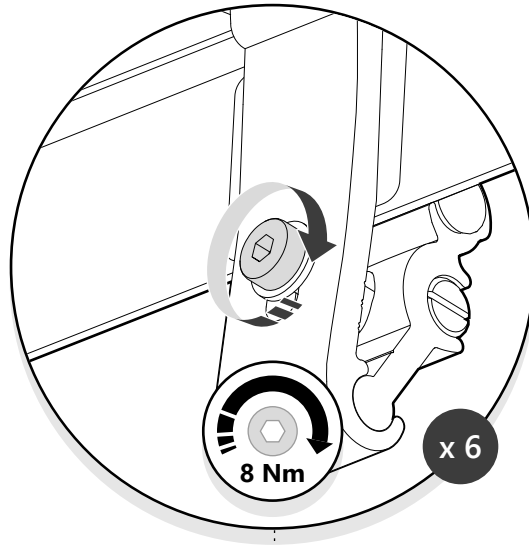








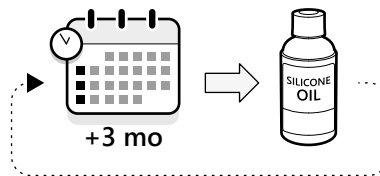
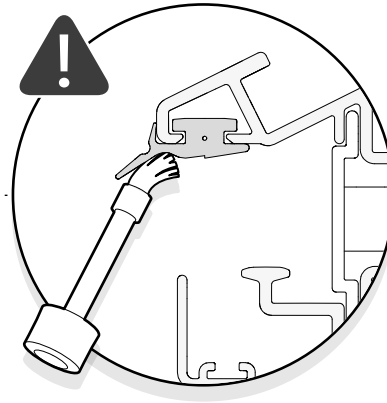
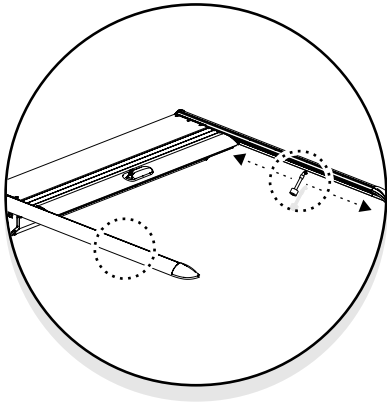




+1000 km



+15000 km





Customer Service +45 4810 2950 (08:00 - 16:00 CET)
Fax +45 4810 2960
Support info@mountaintop.dk
Website www.mountaintop.dk
Address Pedersholmparken 10, 3600 Frederikssund, Denmark

PART NUMBER(S)	MODEL / YEAR	CAB TYPE(S)	INSTALLATION TIME	WEIGHT
MTR/MTRA IS90/91	Isuzu / 2012 →	Double / Space	2 hour(s)	31 - 36 Kg
MTR/MTRA FO90/91	Ford / 2011 →	Double	2 hour(s)	31 - 36 Kg

GB Installation manual	S Monteringsanvisning	D Einbauanleitung
SF Asennusohje	E Instrucciones de montaje	CZ Návod k instalaci
F Notice de montage	H Szerelési utasítás	I Istruzioni de montaggio
PL Instrukcja montażu	P Instruções de instalação	GR Οδηγίες Εγκατάστασης
NL Installatie-instructies	RUS Инструкция по установке	DK Monteringsvejledning
TR Montaj Talimatı	N Monteringsveiledning	RO Instructiuni de instalare