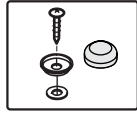
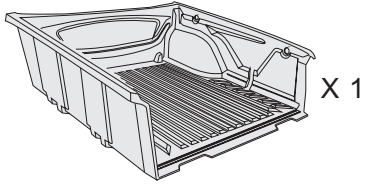


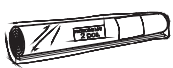
BED LINER INSTALLATION MANUAL

FOR D/C SP/C S/C

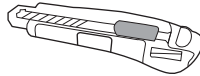
PART LISTS



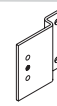
OPTION



TOOLS



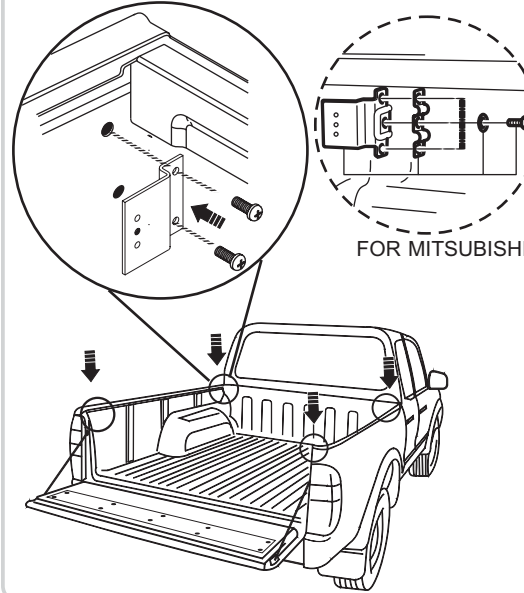
3



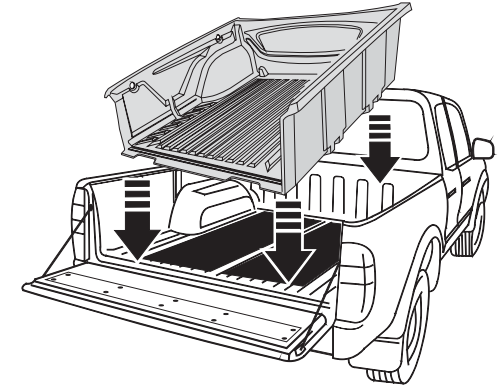
X 2 FRONT PLATE



X 2 REAR PLATE



4

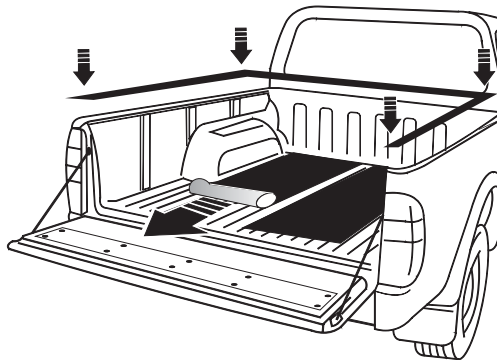


1

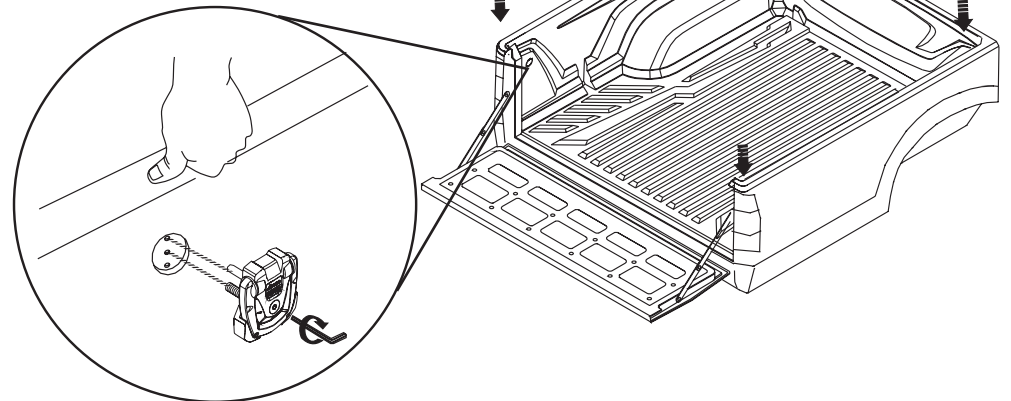


2

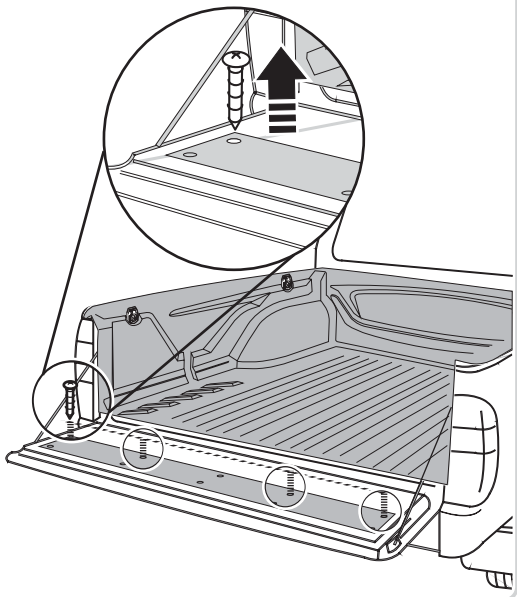
OPTION



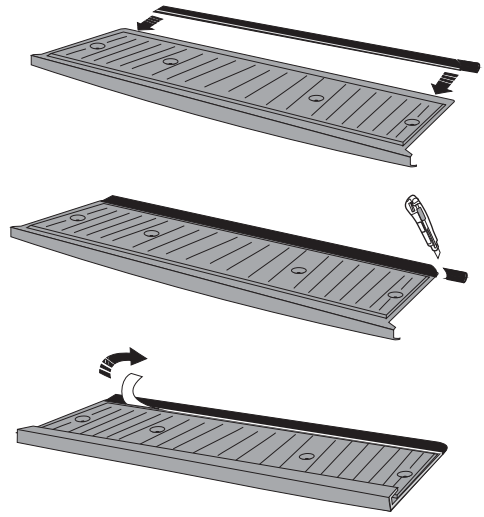
5



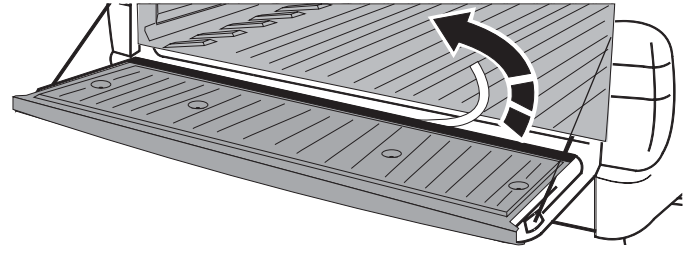
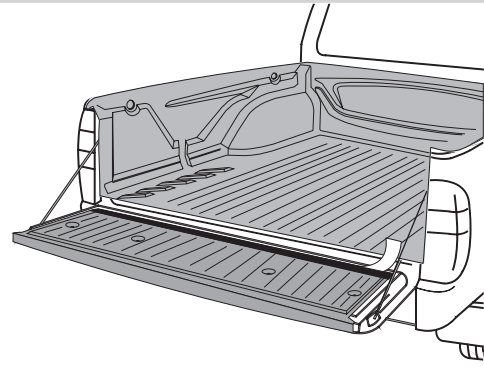
6



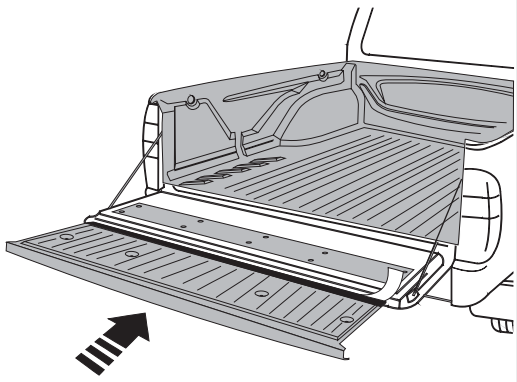
7



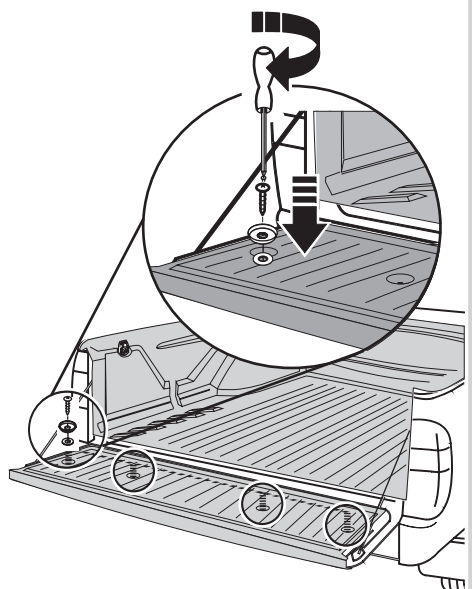
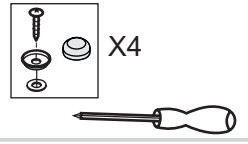
10



8



9



11

